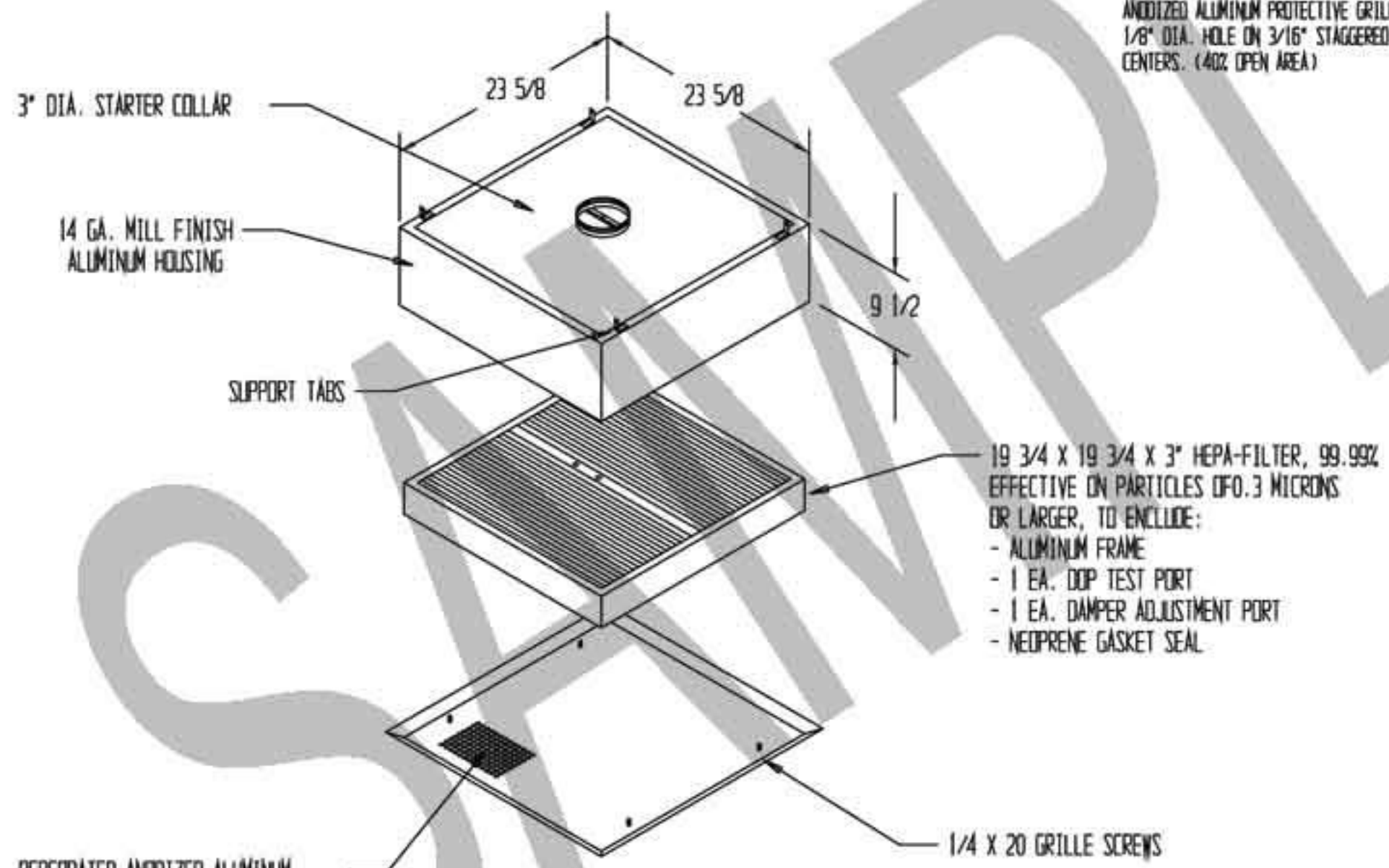
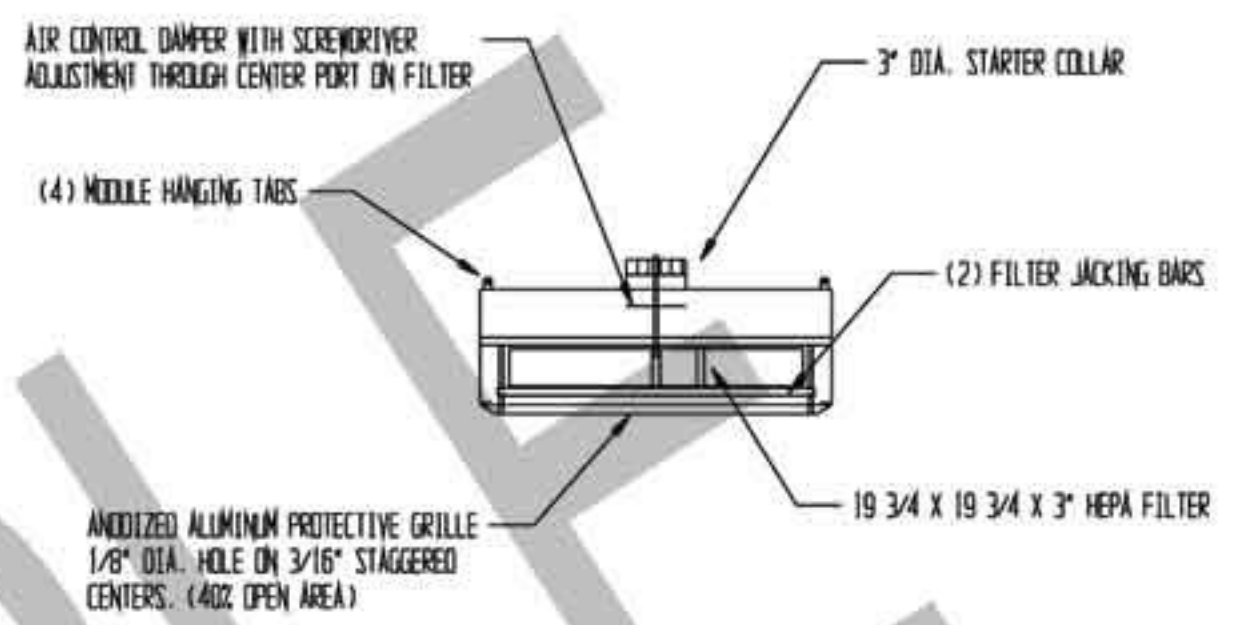
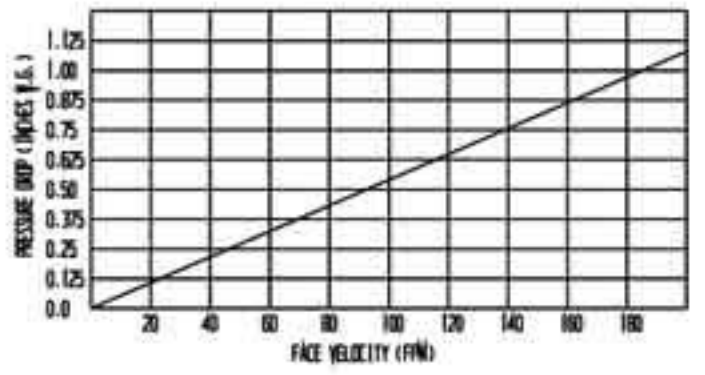


REVISIONS			
REV	DESCRIPTION	DATE	APPROVED

PRESSURE DROP VS. FACE VELOCITY
HEPA FILTER 2" THK., 99.99% @ 0.3 MICRONS



PERFORATED ANODIZED ALUMINUM PROTECTIVE GRILLE WITH 1/8" DIA. HOLES ON 3/16" STAGGERED CENTERS, PROVIDING A 40% OPEN AREA

DRAWN FOR		HALCO PRODUCTS CO. 100 NO. GORDON STREET ELK GROVE, IL. 60007		
TITLE		TERMINAL FILTER MODULE MODEL VF2424LD/AL/D3		
DRAWN BY	TM	SIZE	JOB NO.	DWG NO. 1714840A0 SHEET
APPROVED BY	TM	SCALE	NONE	DATE 12-4-07 SHEET