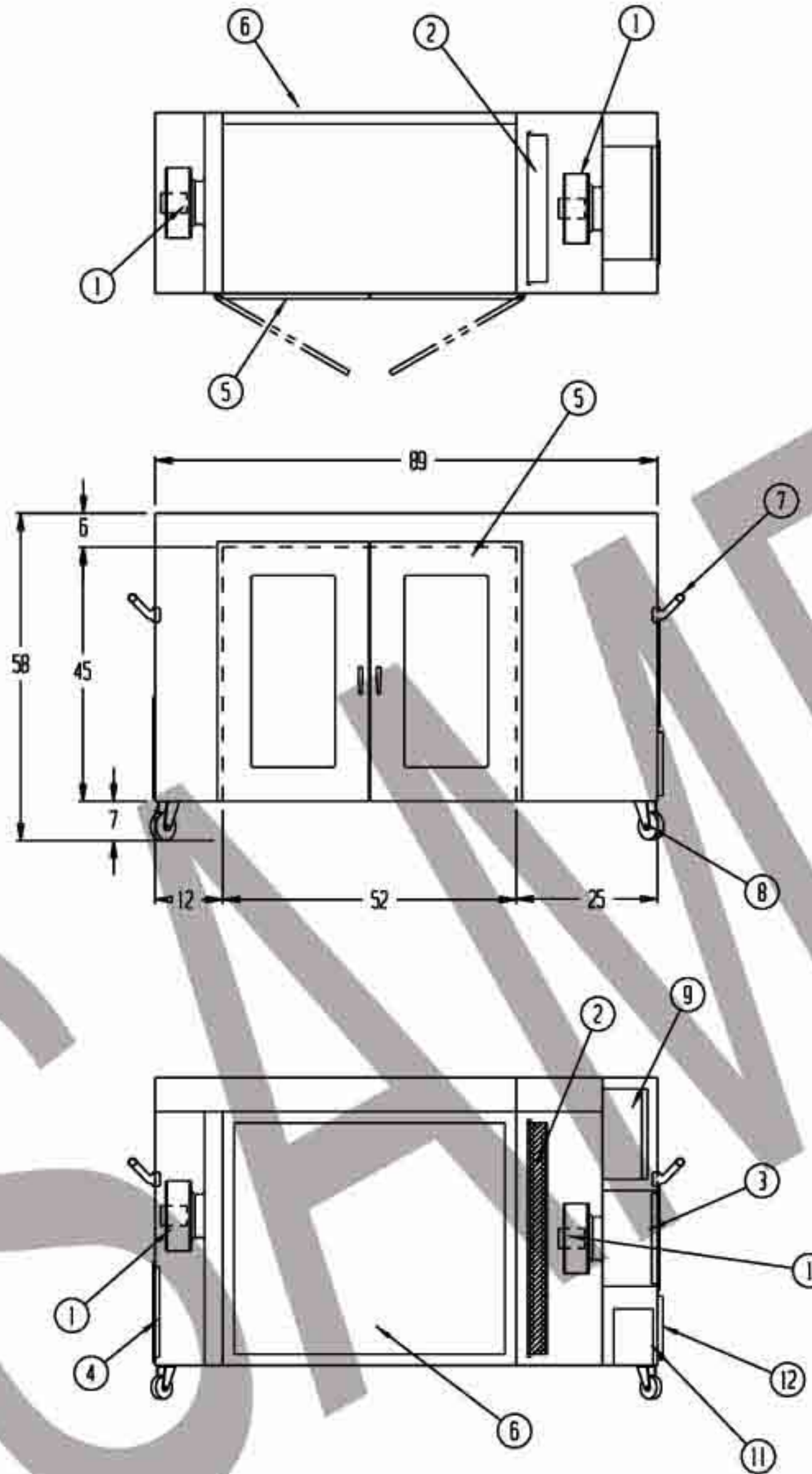
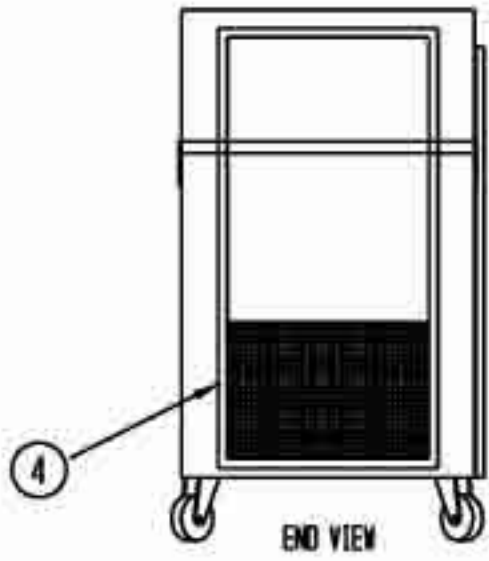


NOTES:

- UNIT TO BE CONSTRUCTED OF TYPE 304 STAINLESS STEEL WITH A #4 FINISH
- UNIT CONSTRUCTION TO BE INWARD TURNED FLANGES WHICH ARE BOLTED AND CAULKED TO GIVE A SMOOTH EXTERIOR FINISH
- UNIT TO MEET FEDERAL STANDARD 209E FOR CLASS 100
- CUSTOMER TO SUPPLY 115 VOLT POWER SOURCE
- UNIT SHIPPED COMPLETE AND READY FOR USE
- ESTIMATED WEIGHT OF 650 LBS.



REVISIONS			
REV	DESCRIPTION	DATE	APPROVED
A	AS BUILT	11/29/00	

- ① 2 EA. R4E310 BACKWARD CURVED IMPELLAR BLOWERS. 160 WATTS EACH CAPABLE OF PRODUCING 800 CFM @ 1.0" SP 115 VOLTS
- ② 1 EA. 24 X 42 X 3 1/2 DOWNSTREAM GEL FILTER 99.99% EFFECTIVE ON PARTICLES OF 0.3 MICRONS
- ③ 1 EA. 16 X 20 X 1" STAINLESS STEEL INTAKE GRILLE WITH 35% DISPOSABLE PRE-FILTERS
- ④ 1 EA. STAINLESS STEEL EXHAUST GRILLE
- ⑤ STAINLESS STEEL DOORS WITH 1/4-TURN CHROME HANDLES AND 1/4" THICK POLYCARBONATE INSERTS
- ⑥ STAINLESS STEEL REAR WALL WITH GUIDE KEEPERS FOR CART
- ⑦ S/S PUSH BARS ON BOTH ENDS
- ⑧ 4 EA. 5" DIA. PHENOLIC SWIVEL CASTERS WITH BRAKES
- ⑨ ELECTRONIC CONTROLS ENCLOSURE
- ⑩ SERVICE PANEL WITH CONTROL SWITCHES, STATUS LIGHTS, VOLTAGE GAUGE AND MAGNETIC PRESSURE GAUGE
- ⑪ 2 EA. HEAVY DUTY DEEP CELL GEL FILLED BATTERIES
- ⑫ BATTERY COMPARTMENT WITH VENTED DOOR
- ⑬ 25 FT. RETRACTABLE CORD REEL (120 VOLTS)

DRAWN FOR		TITLE		
		PTC5251-30/SS/SP		
DRAWN BY	OK	SIZE	JOB NO.	ENG NO.
APPROVED BY		SCALE	DATE	SHEET
		3/8"=1'	9/18/00	151121488 A