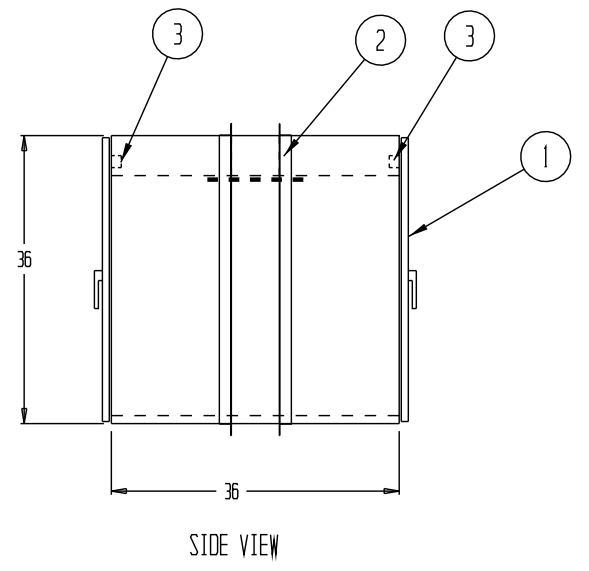
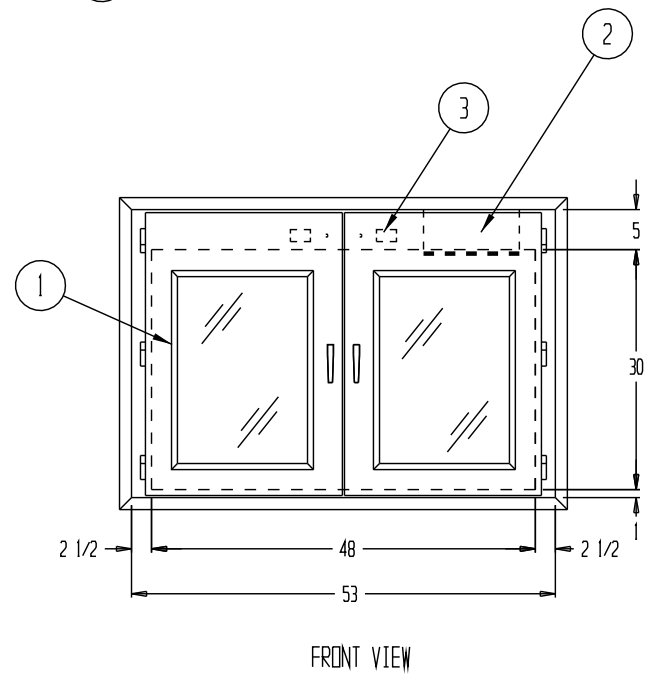
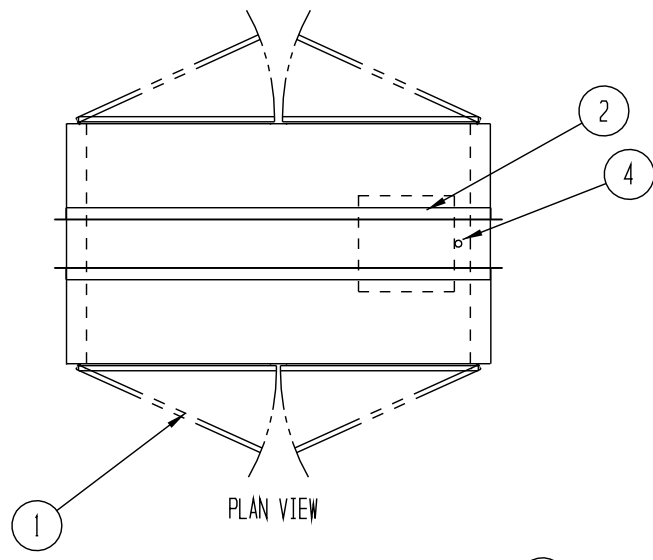


REVISIONS			
REV	DESCRIPTION	DATE	APPROVED

NOTES:

- UNIT CONSTRUCTION TO BE DOUBLE WALL:
- INTERIOR AND EXTERIOR TO BE 16 GA. 304 STAINLESS STEEL WITH A NO. 4 FINISH
- DOORS TO BE 16 & 20 GA. 304 STAINLESS STEEL WITH A NO. 4 FINISH
- UNIT TO BE SUPPLIED WITH 1 1/2" X 1 1/2" X 16 GA. TYPE 304 WELDED ONE PIECE STAINLESS STEEL MOUNTING ANGLE (TO BE FIELD INSTALLED)
- UNIT TO HAVE AN ELECTRICAL DOOR INTERLOCK SYSTEM
- UNIT TO MEET ISO STANDARD 14644-1
- ROUGH OPENING TO BE 1/4" LARGER THAN OUTSIDE DIMENSIONS OF UNIT
- CUSTOMER TO SUPPLY 115 VOLT SERVICE TO PASS-THRU (1.0 FLA)

- ① STAINLESS STEEL DOORS WITH 1/4" ACRYLIC GLAZING, STAINLESS STEEL PIN HINGES AND QUARTER TURN HANDLES
- ② RECESSED ELECTRIC INTERLOCK SYSTEM
- ③ ELECTRO-MAGNETIC DOOR LOCKS AND DOOR STATUS SWITCHES
- ④ ELECTRICAL KNOCKOUT FOR CUSTOMER 115V CONNECTION
- ⑤ 1 1/2" X 16 GA ONE PIECE WELDED STAINLESS STEEL FINISHING TRIMS



DRAWN FOR		HALCO PRODUCTS CO.		
MICROPULSE, INC.		100 NO. GORDON STREET ELK GROVE, IL. 60007		
TITLE		PT4830-36/SS/DD/EI		
DRAWN BY	OK	SIZE	JOB NO. 13754	DWG NO. 151905180
APPROVED BY		SCALE 1/2" = 1'	DATE 1/18/16	REVISIONS