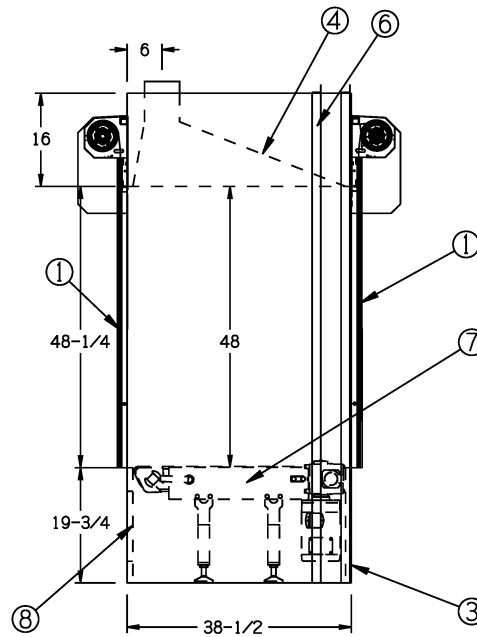
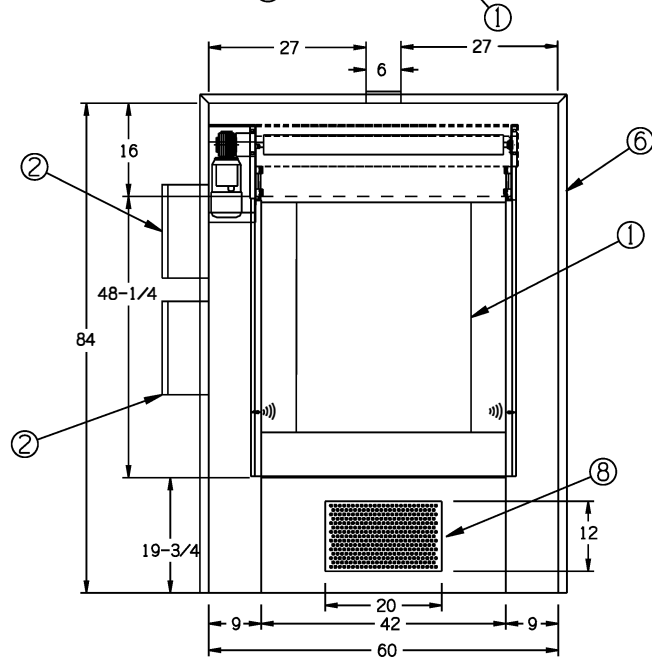
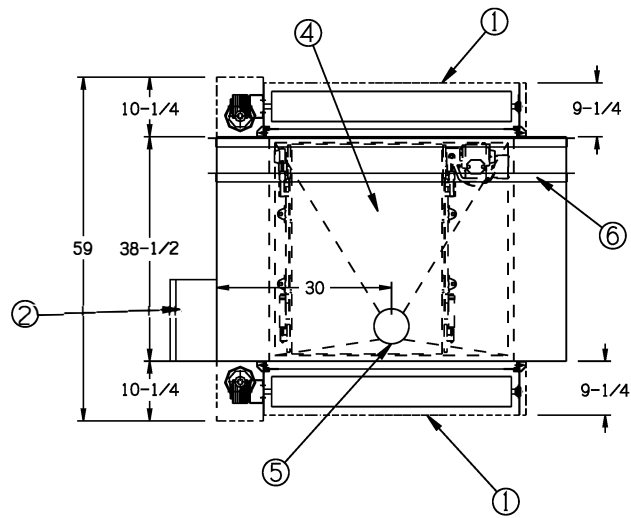


REVISING			
REV	DESCRIPTION	DATE	APPROVED



- ① 2 EA. AUTOMATIC HIGH SPEED VINYL ROLLUP DOORS WITH VIEW WINDOW AND STAINLESS STEEL COVERS.
- ② 2 EA. DOOR CONTROLS IN 14" X 16" X 6" COMPOSITE ENCLOSURE
- ③ SOLID REMOVABLE CONVEYOR ACCESS PANEL (FLUSH SIDE)
- ④ WELDED TAPERED EXHAUST HOOD
- ⑤ 6" DIA EXHAUST DUCT CONNECTION
- ⑥ 1-1/2" X 1-1/2" X 16 GA STAINLESS STEEL FINISHING TRIM (TO BE FIELD INSTALLED)
- ⑦ CONVEYOR UNIT (BY OTHERS)
- ⑧ 12" X 20" MAKEUP AIR DAMPER IN REMOVABLE CONVEYOR ACCESS PANEL (CONTROLS SIDE)

DRAWN FOR	<i>Halco</i> Halco Products Co. 100 Gordon Street, Elk Grove, IL. 60007		
	TITLE PT4268-38/SS/AD/SP		
DRAWN BY	SIZE	JOB NO. 13666	DWG NO. 1518875BB
APPROVED BY	SCALE	DATE	REV SHEET