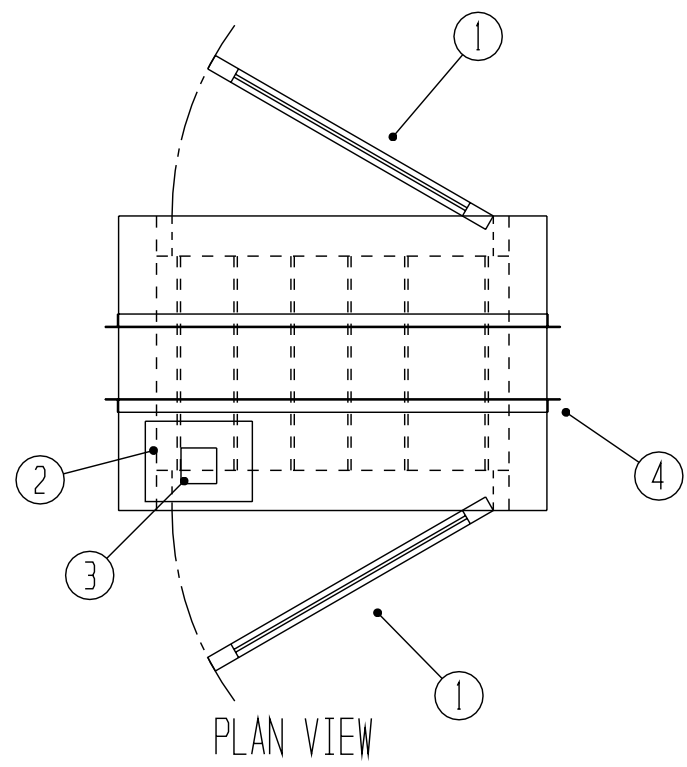


REVISIONS			
REV	DESCRIPTION	DATE	APPROVED
A	ADD SHELVES AND DIVIDERS	1/20/00	

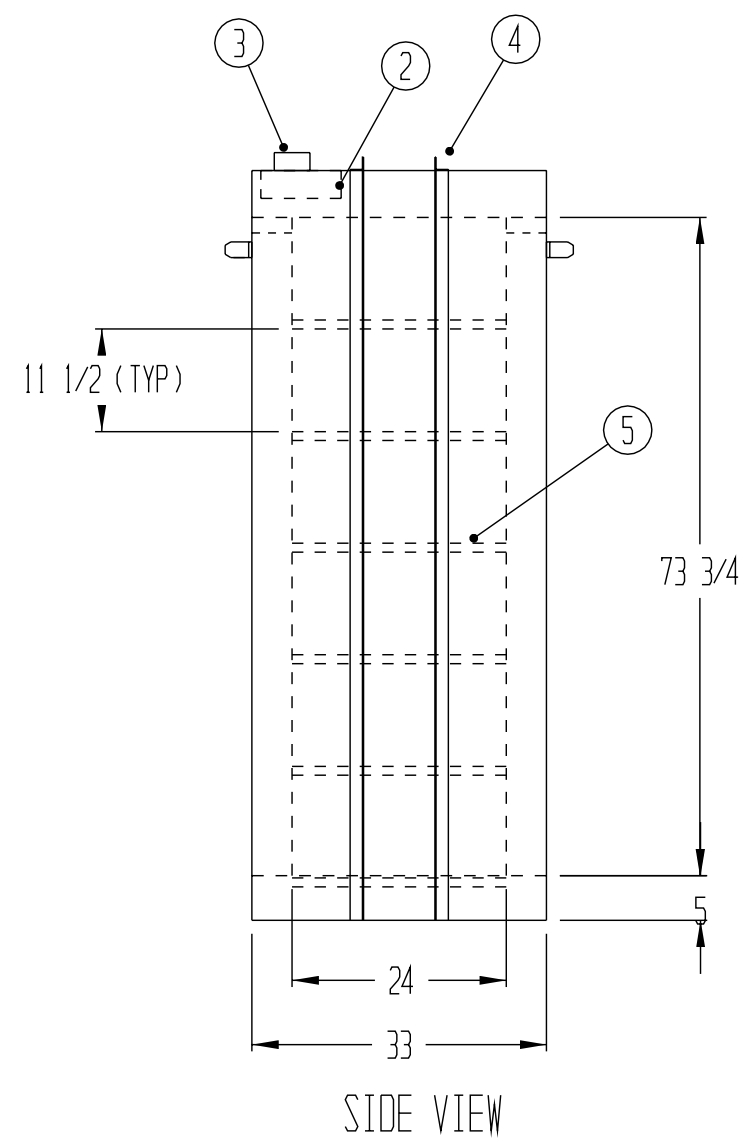
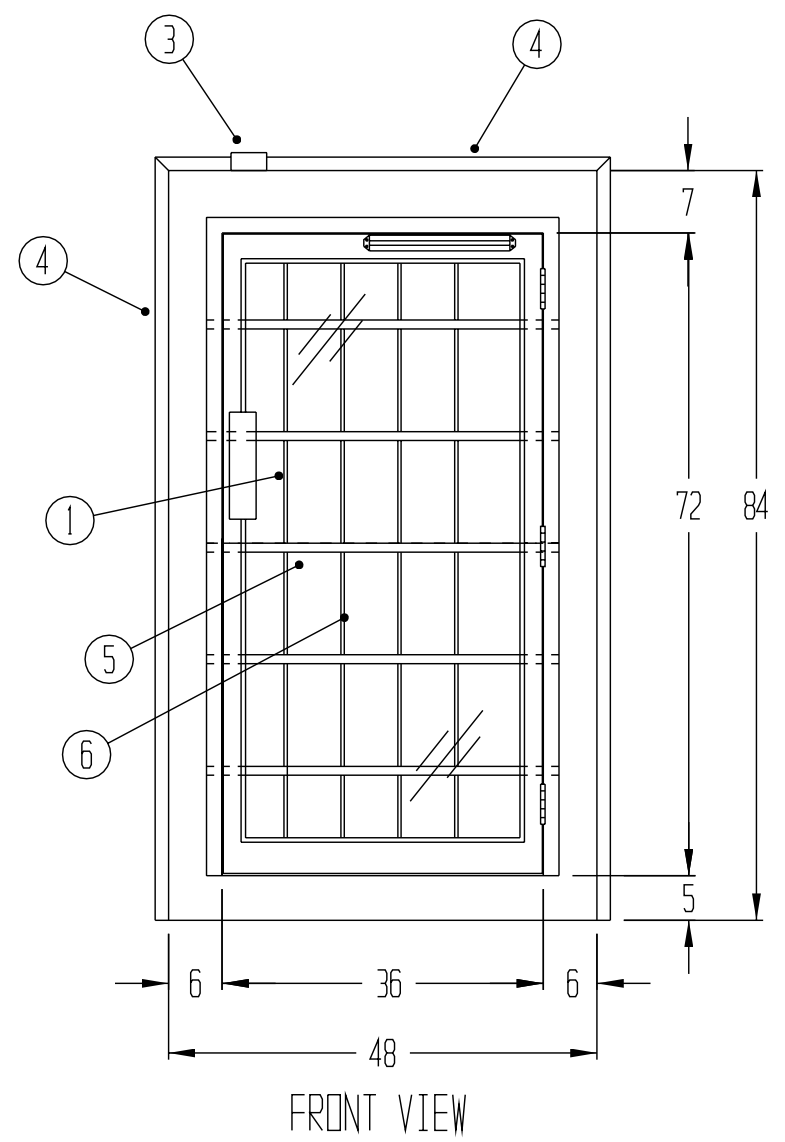


NOTES:

- UNIT CONSTRUCTED OF 16 GA. GALVANNEALED STEEL, PAINTED WHITE EPOXY
- INTERIOR SURFACES TO BE LAMINATED WITH 1/8" THK. WHITE POLYPRO
- UNIT TO CONFORM TO LATEST NEC STANDARDS
- DOORS TO BE ELECTRICALLY INTERLOCKED

LEGEND:

- ① ANODIZED ALUMINUM NARROW STILE DOORS WITH BUTT HINGES, PUSH-PULL HARDWARE, 1/4" THK. AMBER ACRYLIC INSERTS & HOLD OPEN, ARMLESS DOOR CLOSERS
- ② CONTROL ENCLOSURE
- ③ ELECTRICAL JUNCTION BOX FOR CUSTOMER CONNECTION
- ④ 1 1/2 X 1 1/2 STAINLESS STEEL ANGLE (SHIPPED LOOSE)
- ⑤ 5 EA. POLYPRO LINED SHELVES
- ⑥ 6 EA. 3/8" THK. POLYPRO DIVIDERS PER SHELF SECTION WITH BALL CATCHES ON TOP AND BOTTOM FOR POSITIONING



(2) UNIT REQUIRED, AS SHOWN
TAG: PT-1

DRAWN FOR		HALCO PRODUCTS COMPANY 100 NORTH GORDON ST, ELK GROVE, ILLINOIS 60007			
JDS UNIPHASE					
DRAWN BY		TITLE			
LVB		PT 3672-24 ST/SP			
APPROVED BY	SCALE	SIZE	JOB NO.	DWG NO.	REV
	1/2" = 1'		9922	1510810BA	A
		DATE	SHEET		
		12-14-99			