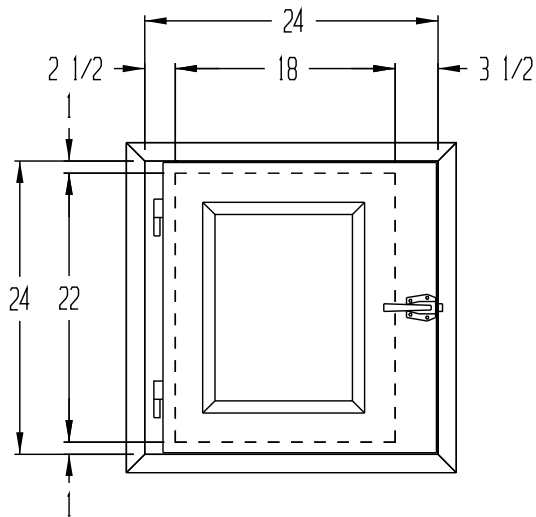
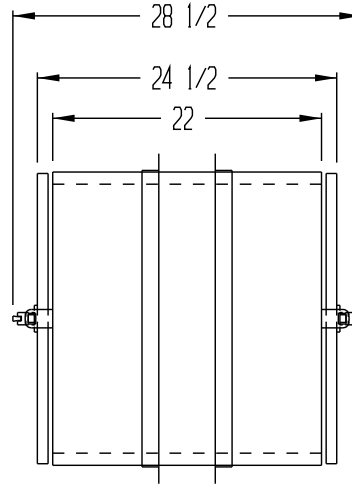


PLAN VIEW



FRONT VIEW



SIDE VIEW

REVISIONS			
REV	DESCRIPTION	DATE	APPROVED

NOTES:

- UNIT FABRICATION TO BE DOUBLE WALL, CONSTRUCTION
- UNIT TO BE CONSTRUCTED OF 16 & 20 GA. 304 STAINLESS STEEL WITH #4 FINISH
- DOORS TO BE CONSTRUCTED OF 16 GA. 304 STAINLESS STEEL WITH 1/4" THK. CLEAR ACRYLIC GLAZING, SS PIN HINGES AND STAINLESS STEEL LATCHING HANDLE
- UNIT TO BE SUPPLIED WITH 1 1/2" X 1 1/2" X 16 GA. 304 STAINLESS STEEL FINISHING TRIMS POLISHED ONE SIDE (TO BE FIELD INSTALLED)
- UNIT TO HAVE A MECHANICAL DOOR INTERLOCK SYSTEM
- ROUGH OPENING TO BE 1/4" LARGER THAN OUTSIDE DIMENSIONS OF UNIT

1 UNIT REQUIRED AS SHOWN

DRAWN FOR	HALCO PRODUCTS CO.			
	100 NO. GORDON STREET ELK GROVE, IL. 60007			
	TITLE PT1822-22 SS/MI			
DRAWN BY	TM	SIZE	JOB NO.	DWG NO.
APPROVED BY		SCALE	5/8" = 1'	1518580A0
			DATE	2-26-15
			SHEET	