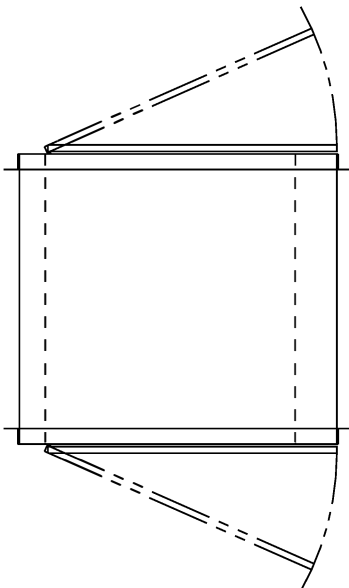


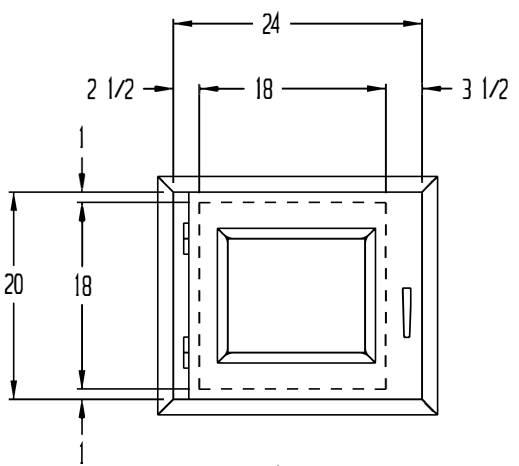
REV	DESCRIPTION	DATE	APPROVED



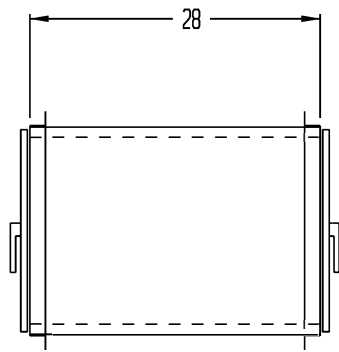
PLAN VIEW

NOTES:

- UNIT FABRICATION TO BE DOUBLE WALL, CONSTRUCTION
- UNIT INTERIOR TO BE CONSTRUCTED OF 20 GA. 304 STAINLESS STEEL WITH #4 FINISH.
- UNIT EXTERIOR TO BE CONSTRUCTED OF 20 GA WHITE EPOXY PAINTED STEEL
- DOORS TO BE CONSTRUCTED OF 304 STAINLESS STEEL WITH 1/4" THK. CLEAR ACRYLIC INSERTS AND QUARTER TURN HANDLES
- UNIT TO BE SUPPLIED WITH 1" X 1" X 16 GA. 304 STAINLESS STEEL MOUNTING ANGLE (TO BE FIELD INSTALLED)
- UNIT TO HAVE A MECHANICAL DOOR INTERLOCK SYSTEM
- ROUGH OPENING TO BE 1/4" LARGER THAN OUTSIDE DIMENSIONS OF UNIT



FRONT VIEW



SIDE VIEW

DRAWN FOR	HALCO PRODUCTS COMPANY, INC.			
	100 NORTH GORDON STREET ELK GROVE, IL. 60007-1193			
	TITLE PT1818-28-SS-SSI-MI			
DRAWN BY TMC	SIZE	JOB NO. 10305	DNQ NO. 1511677AA	REV
APPROVED BY	SCALE NONE	DATE 11/13/01	SHEET	