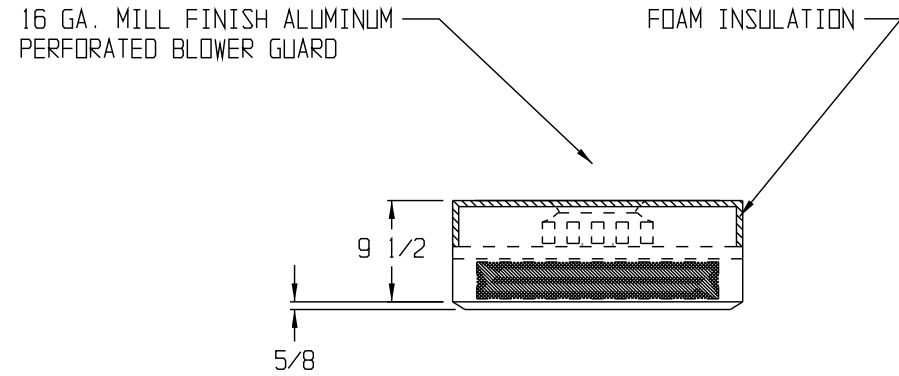
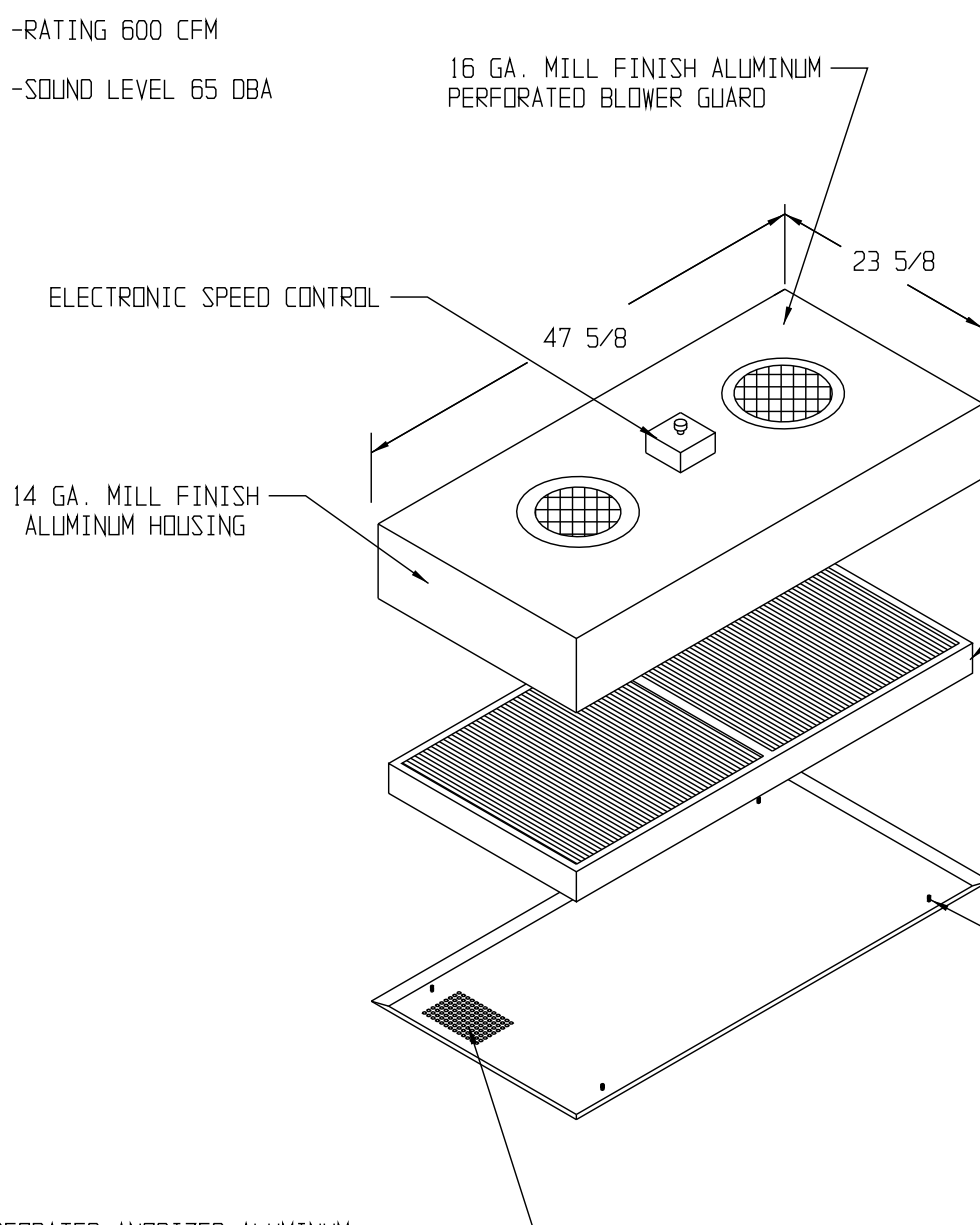


REVISIONS			
REV	DESCRIPTION	DATE	APPROVED

NOTES:

- CUSTOMER TO SUPPLY 115 VOLT/60 HERTZ/1.8 FLA
- RATING 600 CFM
- SOUND LEVEL 65 DBA



ELEVATION

- 19 3/4 X 43 3/4 X 3 1/2" HEPA-FILTER 99.99% EFFECTIVE ON PARTICLES OF 0.3 MICRONS IN SIZE
- EXTRUDED ALUMINUM FRAME
- 2 3/4" MEDIA PACK
- 3 EA. DDP TEST PORTS
- NEOPRENE GASKET SEAL

1/4 X 20 GRILL SCREWS

PERFORATED ANODIZED ALUMINUM PROTECTIVE GRILL WITH 1/8" DIA. HOLES ON 3/16" STAGGERED CENTERS ACCOUNTING FOR 40% OPEN AREA

DRAWN FOR		HALCO PRODUCTS CO. 100 NO. GORDON STREET ELK GROVE, IL. 60007			
		TITLE FT2448-LD/AL/NP			
DRAWN BY	TM	SIZE	JOB NO.	DWG NO.	REV.
APPROVED BY		SCALE	1 1/4" = 1'	DATE	4/15/09 SHEET
				1715608A0	