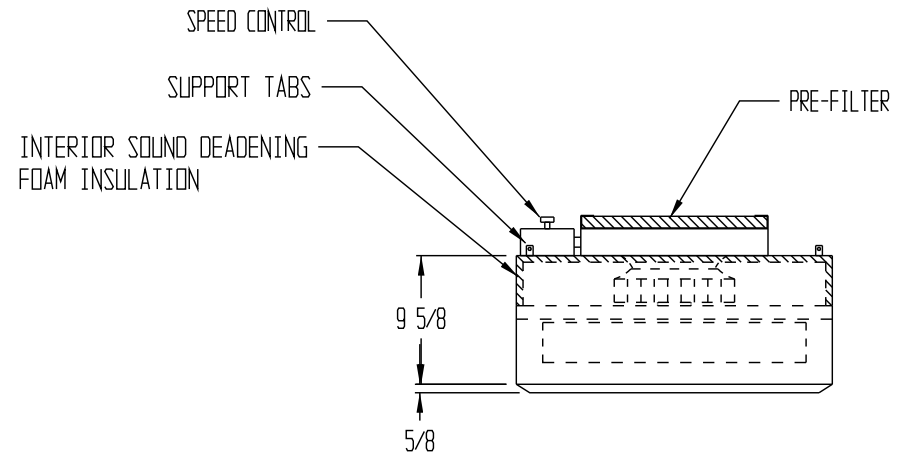


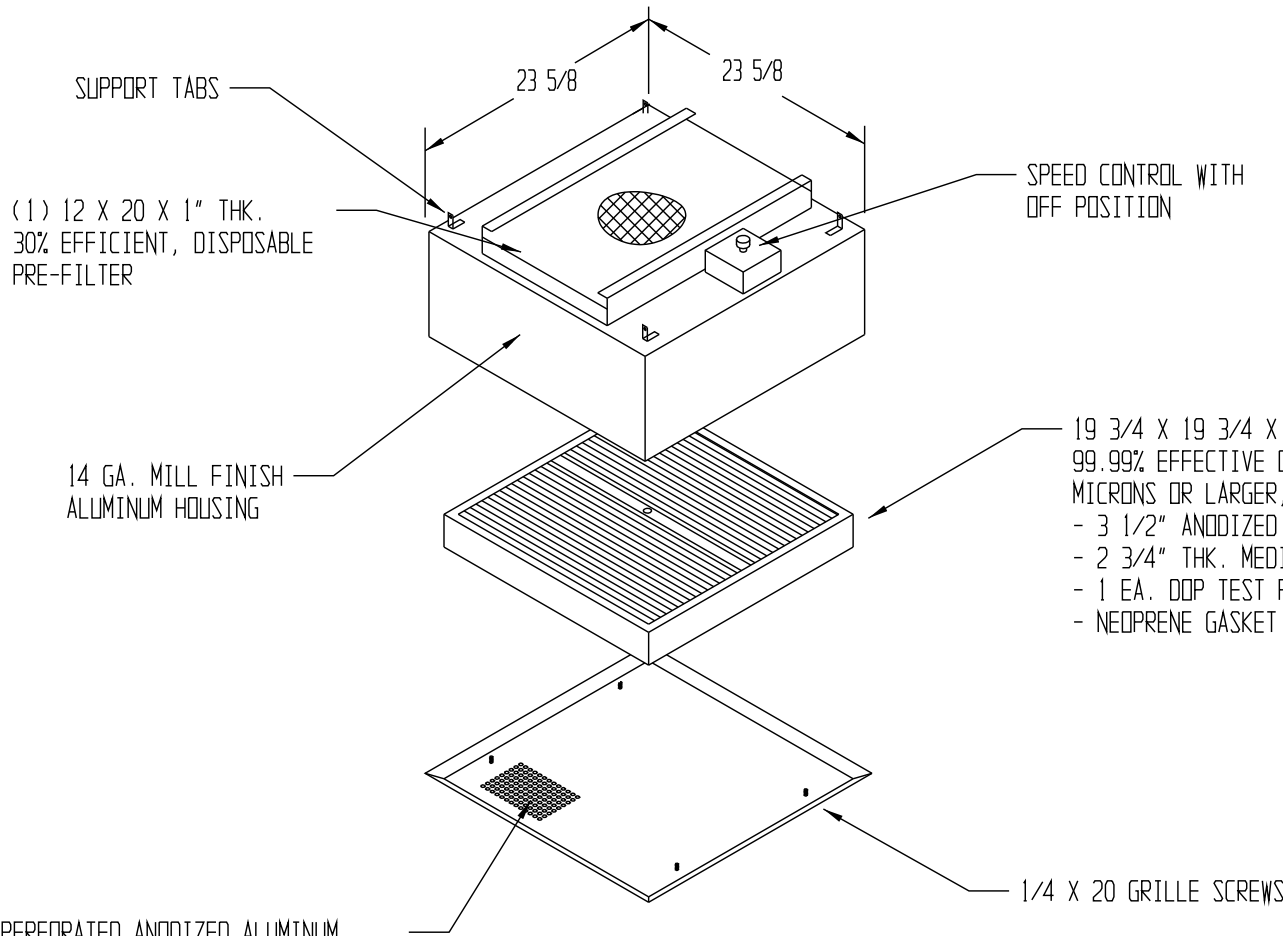
REVISIONS			
REV	DESCRIPTION	DATE	APPROVED

NOTES:

- CUSTOMER TO SUPPLY 120 VOLT/60 CYCLE/.85 FLA
- RATING 360 CFM
- SOUND LEVEL 59 DBA @ 90 FPM



ELEVATION



(1) 12 X 20 X 1" THK.  
30% EFFICIENT, DISPOSABLE  
PRE-FILTER

14 GA. MILL FINISH  
ALUMINUM HOUSING

PERFORATED ANODIZED ALUMINUM  
PROTECTIVE GRILLE WITH 1/8" DIA.  
HOLES ON 3/16" STAGGERED CENTERS,  
PROVIDING A 40% OPEN AREA

DRAWN FOR		<b>HALCO PRODUCTS CO.</b> 100 NO. GORDON STREET ELK GROVE, IL. 60007				
						TITLE
DRAWN BY	TM	SIZE	JOB NO.	DWG NO.	1716628A0	REV.
APPROVED BY		SCALE	N/A	DATE	2-23-11	SHEET