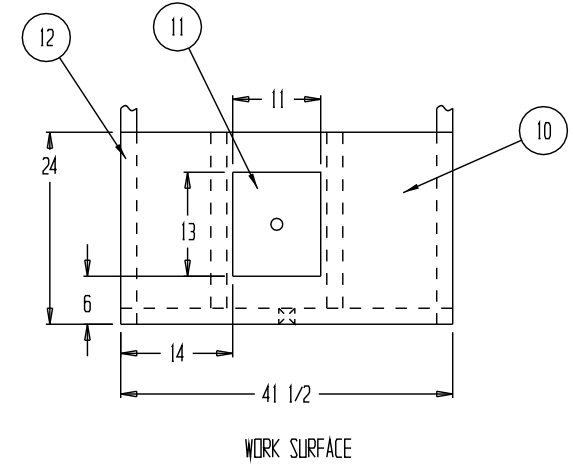
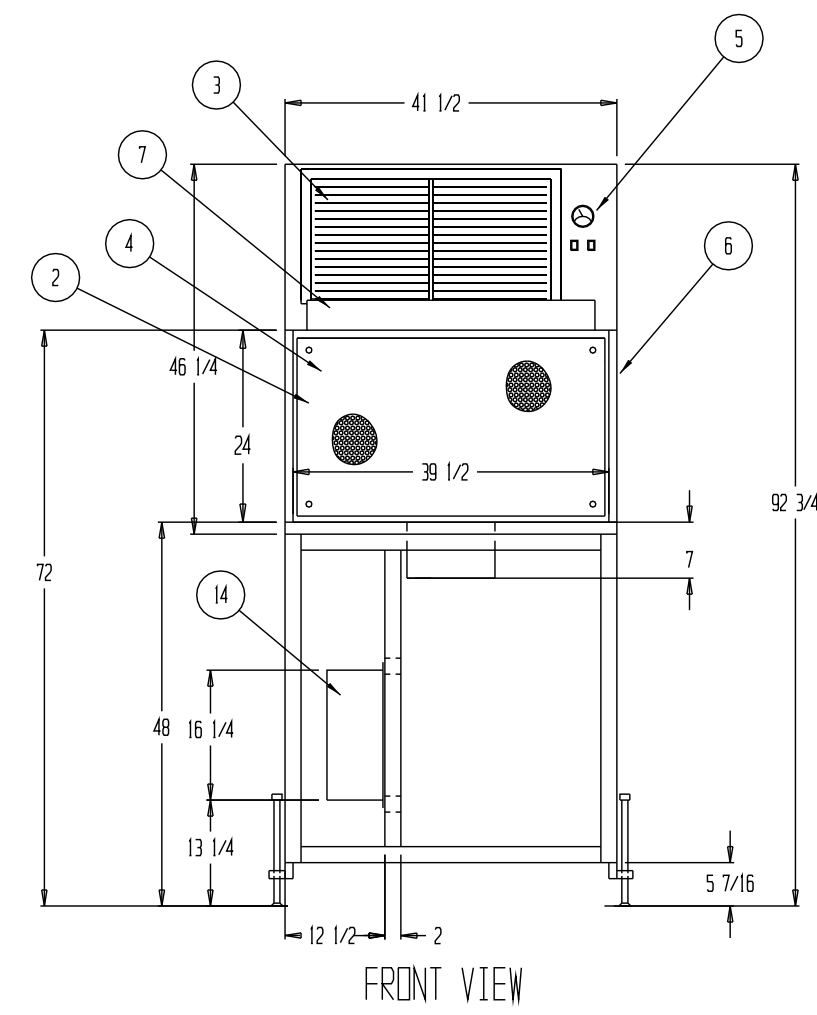


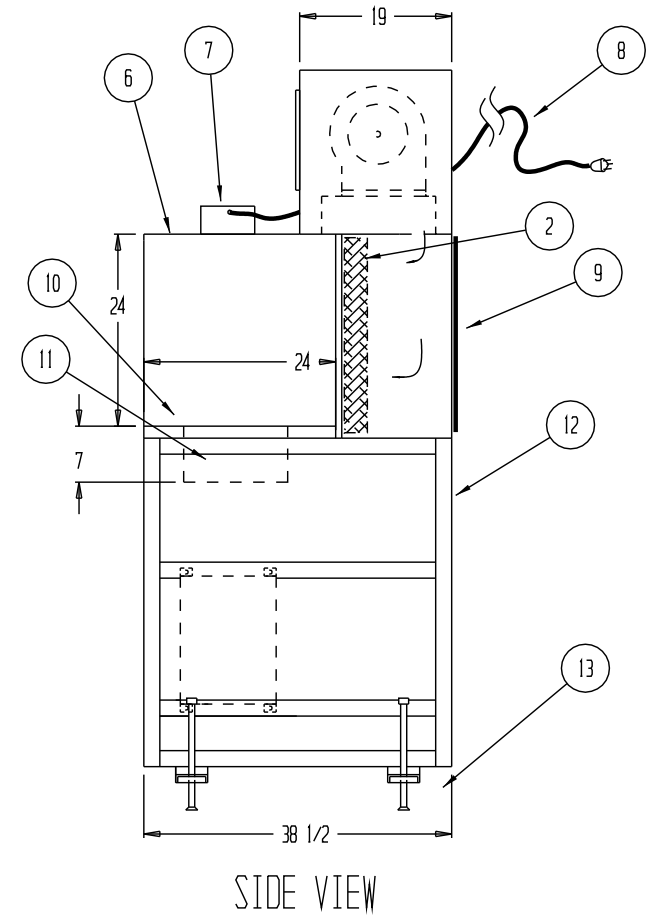
TOP VIEW



WORK SURFACE



FRONT VIEW



SIDE VIEW

NOTES:

- UNIT CONSTRUCTED OF TYPE 316L STAINLESS STEEL WITH A #4 FINISH
- ELECTRICAL TO MEET LATEST NEC CODES
- UNIT TO MEET ISO 14644-1 STANDARDS
- UNIT SHIPPED ASSEMBLED AND READY FOR USE

- ① 1 EA. 9-9A DIRECT DRIVE BLOWER WITH 1/3 H.P. ECM 115 VOLT/ 1 PHASE/ 60 CYCLE 5.0A EACH
- ② 1 EA. 24" X 39" X 3 1/2" HEPA FILTER. 99.99% EFFECTIVE ON PARTICLES OF 0.3 MICRONS IN SIZE
- ③ 1 EA. 30" X 16" X 1" ANODIZED ALUMINUM PRE-FILTER GRILL WITH 35% EFFICIENT DISPOSABLE PRE-FILTER
- ④ STAINLESS STEEL PROTECTIVE HEPA-GRILL
- ⑤ CONTROL PANEL WITH MINIHELIC PRESSURE GAUGE, CONTROL AND LIGHT SWITCH
- ⑥ 316 STAINLESS STEEL WORK AREA ENCLOSURE
- ⑦ STAINLESS STEEL FLUORESCENT LIGHT FIXTURE WITH 2EA F25T8 LIGHT TUBES
- ⑧ 15 FT. POWER CORD. UNIT DRAWS 6.75 FLA
- ⑨ HEPA FILTER ACCESS PANEL
- ⑩ STAINLESS STEEL WORK SURFACE
- ⑪ 1 EACH 11" X 13" X 7" WELDED SINK
- ⑫ 2" SQUARE TUBULAR 316L STAINLESS STEEL SUPPORT FRAME
- ⑬ 4 EA. ADJUSTABLE STAINLESS STEEL LEVELERS
- ⑭ CONTROLS ENCLOSURE TO BE MOUNTED AND INSTALLED BY OTHERS

| REVISIONS | | | |
|-----------|--|----------|----------|
| REV | DESCRIPTION | DATE | APPROVED |
| A | REMOVE CASTERS/ ADD LEVELERS MOVE SINK/ ADD SUPPORT | 10/1/14 | |
| B | AS-BUILT REVISIONS | 11/20/14 | SM |

| | | | | |
|-------------------------------|--------|---|---------------|--------------------|
| DRAWN FOR | | HALCO PRODUCTS CO. 100 NO. GORDON STREET ELK GROVE, IL. 60007 | | |
| PEPSICO INC. BRADENTON, FL | | TITLE ECONOMY TABLE TOP UNIT MODEL EL422-SS/SP | | |
| DRAWN BY | OK/SLB | SIZE | JOB NO. 13443 | DWG NO. 1418353BB |
| APPROVED BY | | SCALE | 1"=1'-0" | DATE 9/11/14 SHEET |