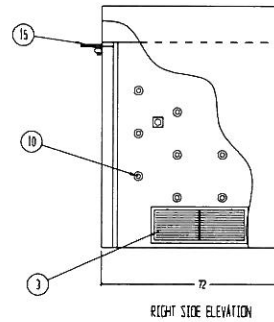
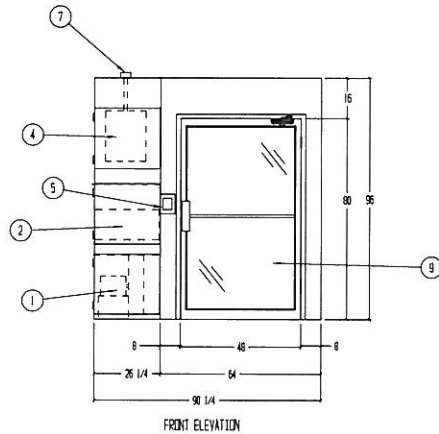
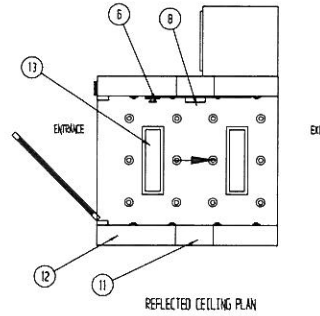
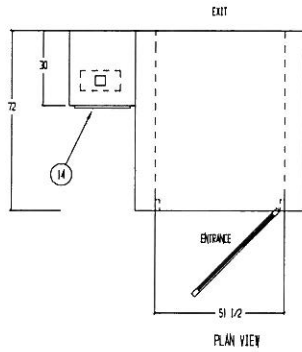


REVISIONS			
REV	DESCRIPTION	DATE	APPROVED
A	CHANGE TO STEEL CONSTRUCTION	8/27/11	



NOTES:

- CONSTRUCTION TO BE 16 GA GALVANNEALED STEEL COATED WITH WHITE EPOXY PAINT
- ELECTRICAL WIRING TO CONFORM TO LATEST NEC STANDARDS
- CUSTOMER TO SUPPLY A SINGLE SOURCE 480 VOLT/ 3 PHASE/ 60 HZ ELECTRICAL SERVICE
- UNIT TO MEET ISO 14644-1 FOR CLASS 5 DEVICES
- UNIT PROVIDED (1) ENTRY DOOR & (1) DUAL MAGNETIC LOCK & SWITCH FOR FIELD INSTALL ON EXISTING DOORS
- UNIT TO BE SHIPPED KNOCK DOWN IN (4) PIECES (3 BASE SECTION AND 1 BLOWER/FILTER SECTION)
- NO FLOOR

- ① 1 EA. DIRECT DRIVE MOTOR/BLOWER 5 HP, 480 VOLT/ 3PH/ 60HZ, 6 I.P.L., CAPABLE OF PRODUCING 1800 CFM AT 2" S.P.
- ② 1 EA. 24 X 24 X 11 1/2 HEPA FILTER, 99.99% EFFICIENT ON PARTICLES OF 0.3 MICRONS AND LARGER
- ③ 1 EA. 12 X 36 X 1" ANODIZED ALUMINUM PRE-FILTER GRILLE WITH 35% EFFICIENT DISPOSABLE PRE-FILTERS
- ④ ELECTRONIC CONTROLS ENCLOSURE
- ⑤ PLC TOUCH SCREEN CONTROL PANEL WITH AUDIBLE ALARM AND EMERGENCY STOP BUTTON
- ⑥ EMERGENCY STOP BUTTON
- ⑦ ELECTRICAL JUNCTION BOX FOR CUSTOMER CONNECTION
- ⑧ PROXIMITY SENSOR TO ACTIVATE AIR SHOWER
- ⑨ ANODIZED ALUMINUM NARROW STILE DOOR AND FRAMES WITH 1/4" THK. ACRYLIC INSERTS
- ⑩ 40 EA. HIGH VELOCITY ADJUSTABLE AIR NOZZLES
- ⑪ RETURN AIR DUCTS
- ⑫ SUPPLY AIR DUCTS
- ⑬ 2 EA. FLUORESCENT LIGHT FIXTURES, 2-TUBE 20W
- ⑭ HINGED SERVICE PANELS
- ⑮ DOOR CLOSERS

**IMPORTANT
CUSTOMER TO CONFIRM:**

- DOOR SIZES AND DIRECTION OF SWING
- ENTRANCE AND EXIT SIDES AND DIRECTION OF OPERATION
- SERVICE ACCESS PANEL LOCATION AND SWING
- AVAILABILITY OF ELECTRICAL SERVICE REQUIRED
- ELECTRICAL SERVICE CONNECTION POINT
- OVERALL SIZE OF UNIT OR SECTIONS
- CLEAR DOOR OPENINGS OF NO LESS THAN 80" WIDE FROM UNLOADING SITE TO INSTALLATION SITE

(1) UNIT REQUIRED, AS SHOWN

DRAWN FOR		HALCO PRODUCTS CO. 100 NO. GORDON STREET, ELK GROVE, IL. 60007			
TWIN BAY MEDICAL, INC. WILLIAMSBURG, MI					
DRAWN BY		TITLE			
TM/CK		AS667-ST/PLC/NF/SM/KD			
APPROVED BY	SIZE	JOB NO	DWG NO	REV	
	1/4"=1'-0"	12750	1016865BA	A	
	SCALE	DATE	SHEET		
		8-22-11			