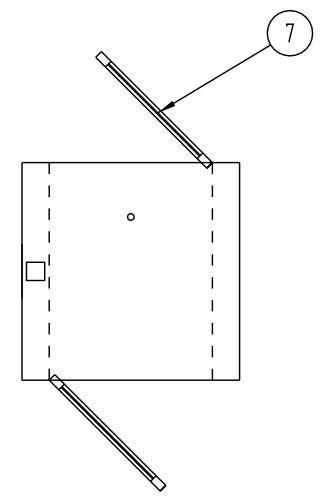


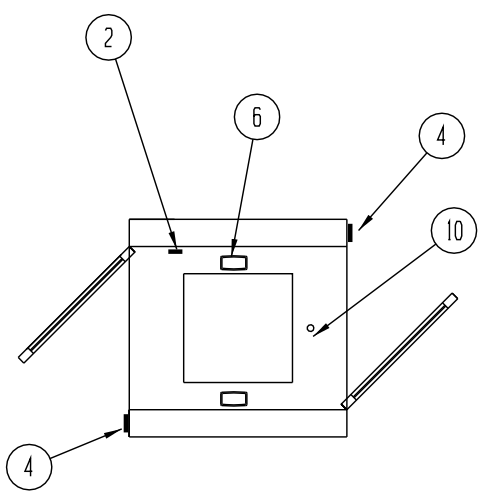
REVISIONS			
REV	DESCRIPTION	DATE	APPROVED

ENTRANCE
(DIRTY SIDE)



PLAN VIEW

EXIT
(CLEAN SIDE)



REFLECTED CEILING VIEW

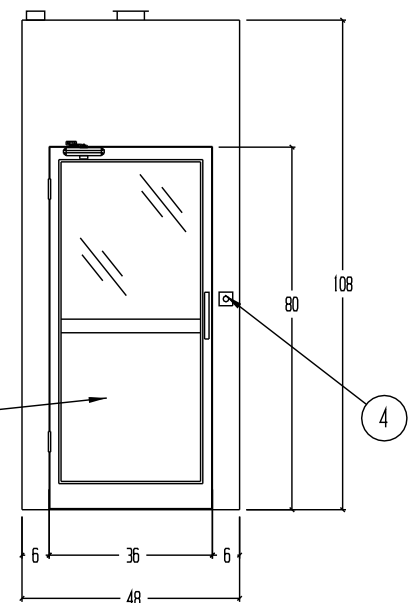
ENTRANCE
(DIRTY SIDE)

NOTES:

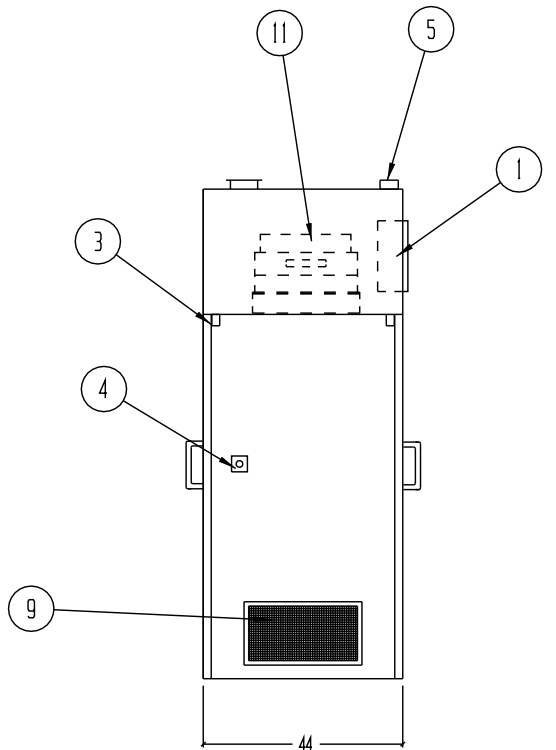
- CONSTRUCTION TO BE 16 GA. TYPE 304 STAINLESS STEEL WITH A #4 FINISH
- UNIT TO HAVE NO FLOOR
- ELECTRICAL WIRING TO CONFORM TO LATEST NEC STANDARDS
- CUSTOMER TO SUPPLY A SINGLE SOURCE 115 VOLT/ 1 PHASE/ 60 HZ. ELECTRICAL SERVICE
- UNIT TO BE SHIPPED KNOCK DOWN FOR FIELD ASSEMBLY
- DOORS TO BE ELECTRICALLY INTERLOCKED W/ MAGNETIC LOCKS

- ① SS NEMA 4X CONTROLS ENCLOSURE
- ② EMO BUTTON
- ③ MAGNETIC DOOR LOCKS WITH STATUS SWITCHES
- ④ EMERGENCY STOP BUTTON EMO
- ⑤ ELECTRICAL JUNCTION BOX FOR CUSTOMER CONNECTION
- ⑥ LED LIGHT FIXTURE WITH GASKETED LENS
- ⑦ SS FRAME DOORS WITH TOP 1/4" SAFETY GLASS GLAZING BOTTOM SOLID SS PANEL, PUSH BAR/ROUNDED PULL HARDWARE, SELF CLOSERS AND MAGNETIC DOOR LOCKS
- ⑧ 6 X 6 MAKEUP AIR GRILLE W/ PERFORATED SLIDING DAMPER
- ⑨ 2 EA. 24 X 12 STAINLESS STEEL LOW WALL GRILLE W/ PREFILTER
- ⑩ 1 1/2" ID SEALED SLEEVE FOR SPRINKLER PENETRATION (HEAD & PIPE BY OTHERS)
- ⑪ AT2000-4 2 X 2 RECIRCULATING FAN FILTER UNIT W/ 99.99% ROOMSIDE REPLACABLE HEPA, ROOMSIDE ADJUSTABLE SPEED CONTROL, 300 CFM, 120V

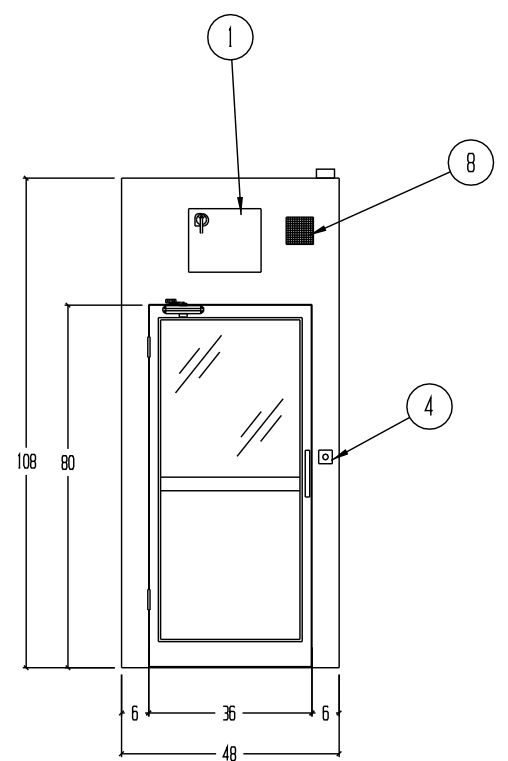
EXIT
(CLEAN SIDE)



EXIT ELEVATION
(CLEAN SIDE)



INTERIOR
RIGHT SIDE ELEVATION



ENTRY ELEVATION
(DIRTY SIDE)

1 UNIT REQUIRED AS SHOWN

DRAWN FOR VETTER PHARMA		HALCO PRODUCTS CO. 100 NO. GORDON STREET ELK GROVE, IL. 60007		
		TITLE AL 337 SS/NF AIR LOCK		
DRAWN BY TM	SIZE	JOB NO. 13214	DNQ NO. 1017864BB	REV
APPROVED BY	SCALE 1/2" = 1'-0"	DATE 9-30-13	SHEET	