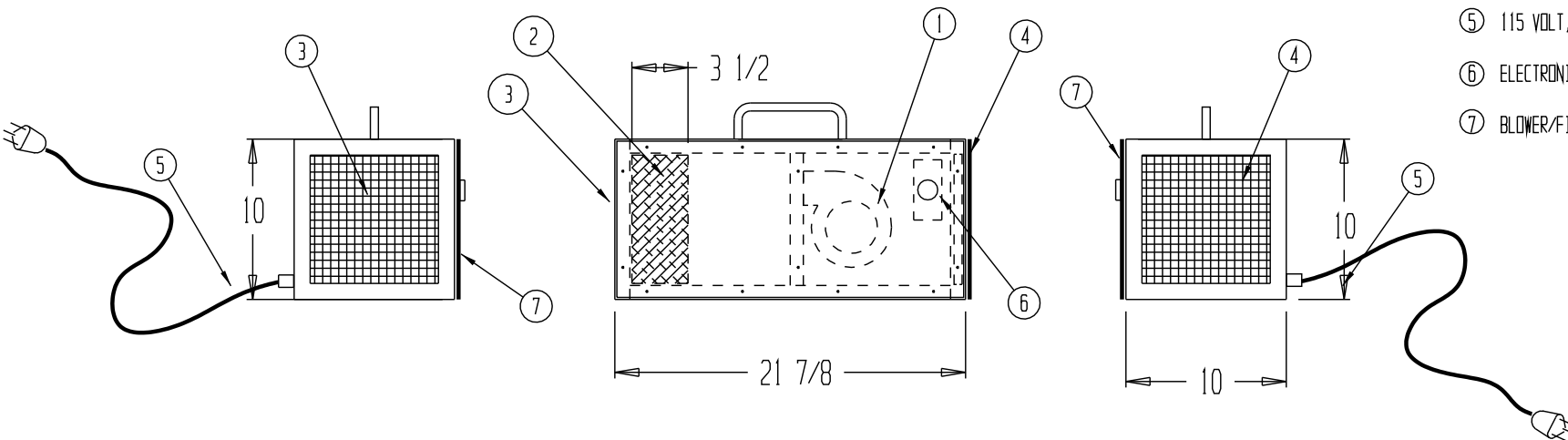


NOTES:

- UNIT CONSTRUCTED OF .063 ANODIZED ALUMINUM
- ELECTRICAL TO MEET LATEST NEC CODES
- UNIT TO MEET ISO 14644-1 STANDARDS

REVISIONS			
REV	DESCRIPTION	DATE	APPROVED

- ① 1 EA. 146CFM 1/25 HP MOTOR/BLOWER 0.75FLA CAPABLE OF DELIVERING 40 CFM @ 1" S.P.
- ② 1 EA. 8" X 8" X 3" HEPA FILTER. 99.99% EFFECTIVE ON PARTICLES OF 0.3 MICRONS IN SIZE
- ③ 8" X 8" DISCHARGE GRILL
- ④ 8" X 8" INTAKE GRILLE W/ 1/2" FOAM PREFILTER
- ⑤ 115 VOLT, 15 AMP POWER CORD. 8 FT. LONG
- ⑥ ELECTRONIC SPEED CONTROL
- ⑦ BLOWER/FILTER SERVICE ACCESS PANEL



1 UNIT REQUIRED

DRAWN FOR	HALCO PRODUCTS CO. 100 NO. GORDON STREET ELK GROVE, IL. 60007		
	TITLE MINETTE 88VH-AA		
DRAWN BY CK	SIZE JOB NO. 13670	ENG. NO. 1518865B0	REV
APPROVED BY	SCALE 1/2"=1'	DATE 9/16/15	REF. JOB# 13693, 11566, 10775