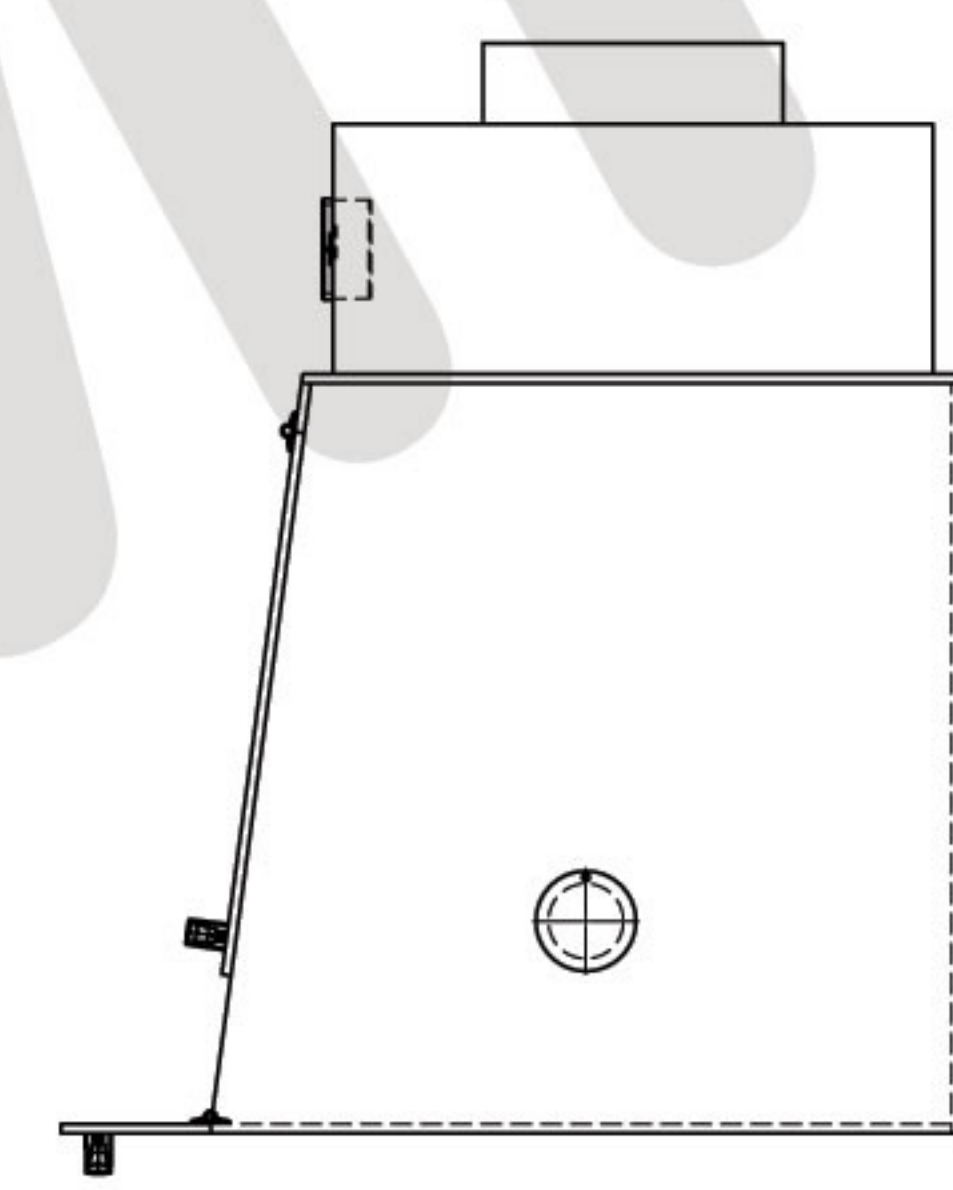
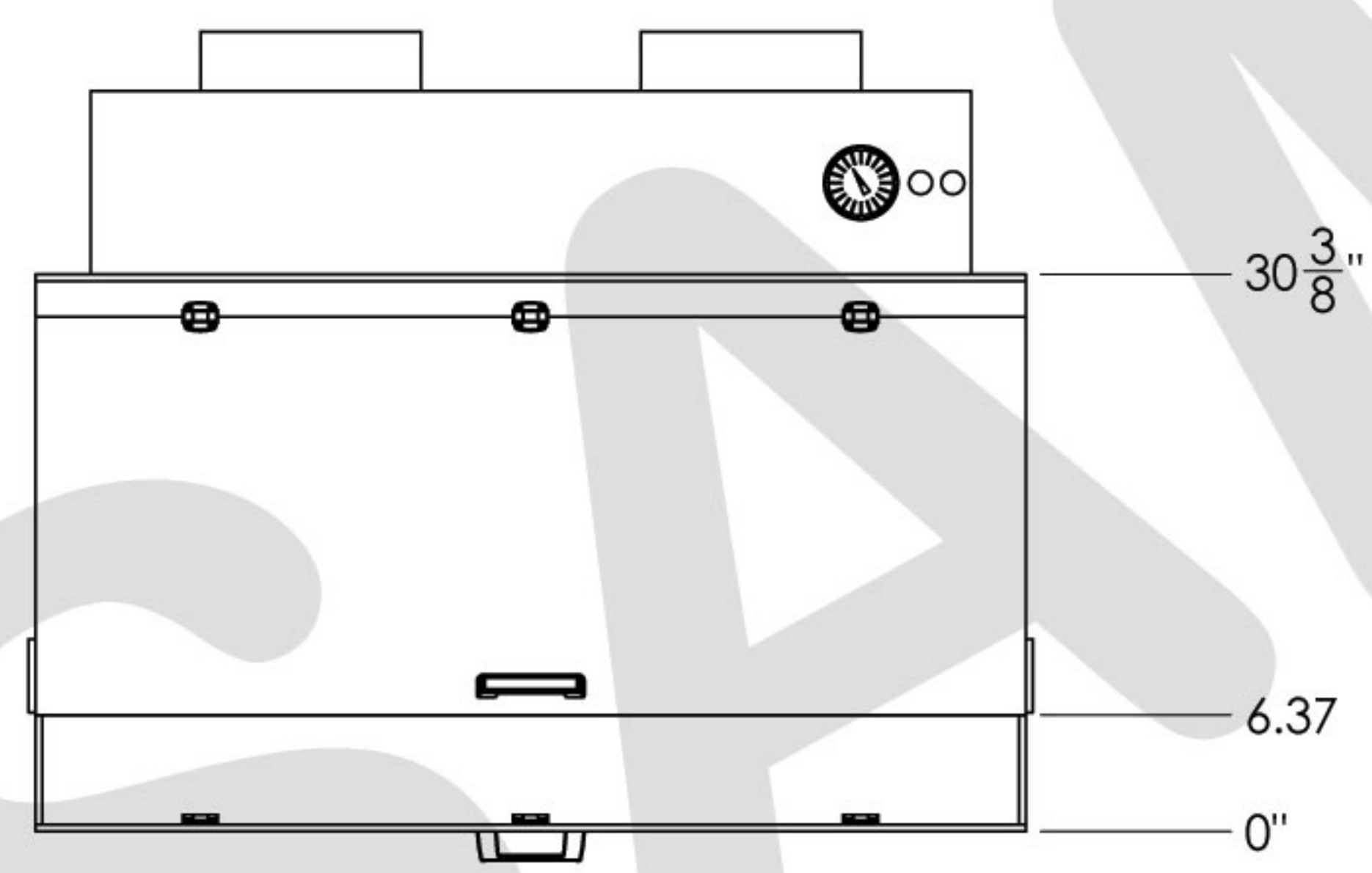
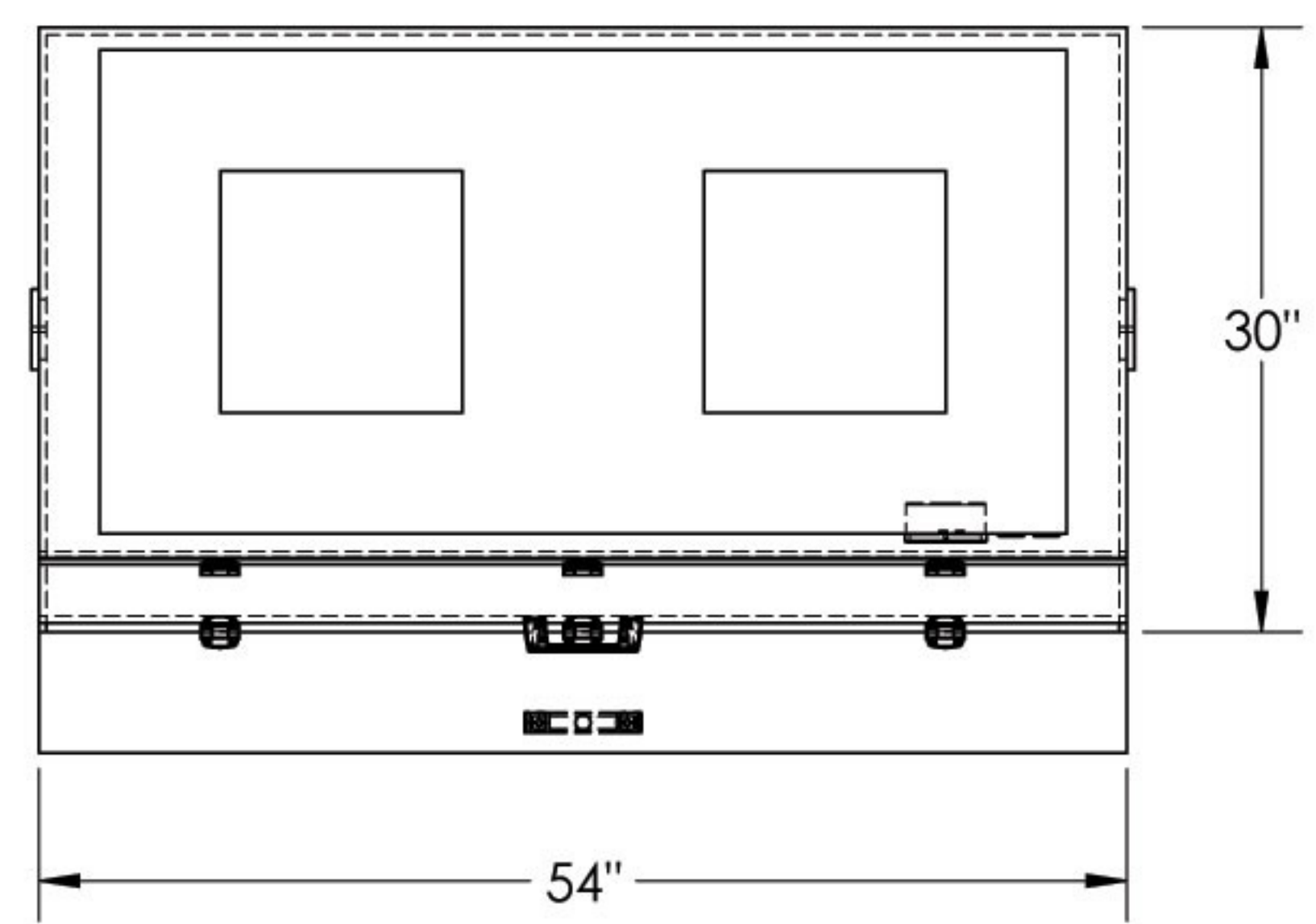
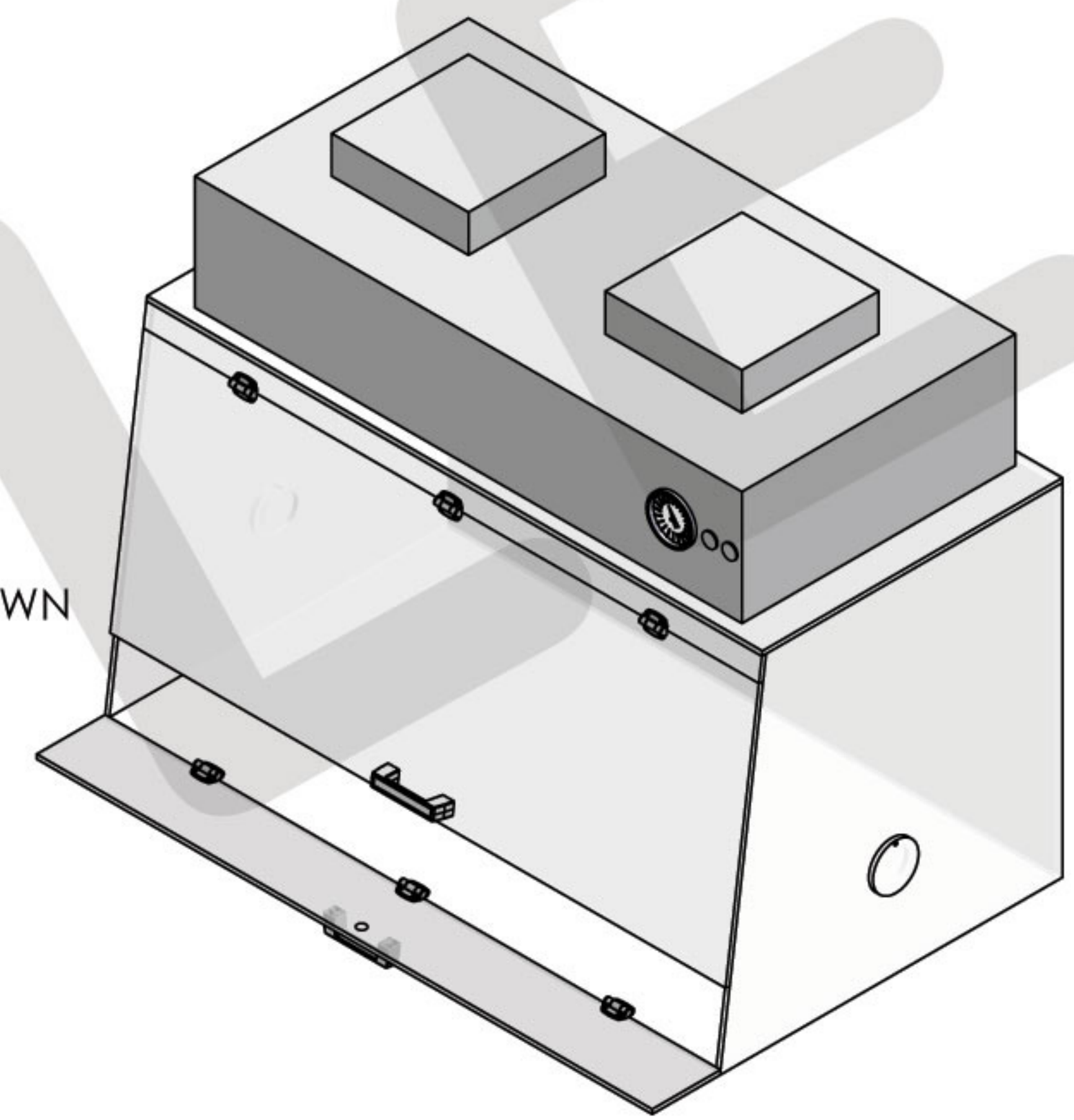


D  
C  
B  
A



FRONT ACCESS DOOR SHOWN  
IN THE OPEN POSITION



D  
C  
B

Tolerances unless otherwise specified		NAME	DATE
.00	± 1/16	DRAWN	JACOBSEN
.000	± .005	CHECKED	
.0000	± .0005	ENG APPR.	
Fractional	± 1/16	MFG APPR.	
Angular	± 1°	Q.A.	
<b>BREAK ALL SHARP EDGES</b>		COMMENTS:	
MATERIAL PETG (PETE)			
FINISH			
DO NOT SCALE DRAWING			



TITLE:		MINI-ENVIRONMENT	
SIZE <b>B</b>	DWG. NO.	Q8702-000-ONE PASS	REV <b>A-01</b>
SCALE: 1:16		WEIGHT: 586.01	SHEET 1 OF 1