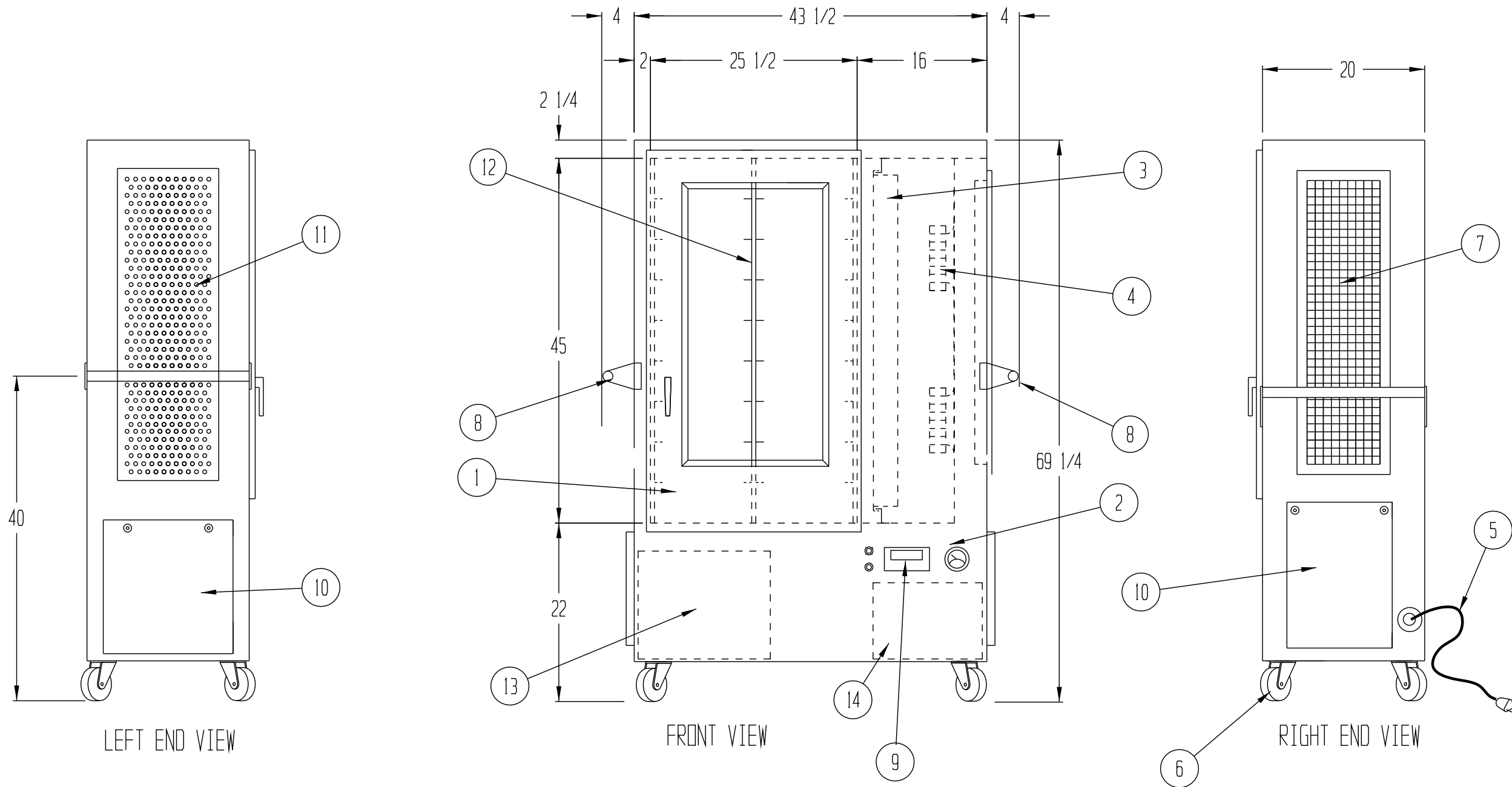


REVISIONS			
REV	DESCRIPTION	DATE	APPROVED



- ① 1 EA. STAINLESS STEEL DOOR WITH 1/4" THK. ACRYLIC INSERT, CONTINUOUS STAINLESS STEEL HINGE AND CHROME PLATED QUARTER TURN HANDLE
- ② MINIHELIC PRESSURE GAUGE 0-2"
- ③ 1 EA. 14 X 40 X 3 1/2" ALUMINUM FRAMED HEPA FILTER, 99.99% EFFICIENT ON 0.3 MICRON SIZE PARTICLES, GEL SEALED, REPLACABLE FROM WITHIN THE CHAMBER
- ④ 2 EA. IMPELLER TYPE BLOWERS WITH A 100W MOTORS 120V/ 60HZ WITH A TOTAL CAPACITY OF 400 CFM
- ⑤ RETRACTABLE POWER CORD, UNIT TO AUTOMATICALLY SWITCH FROM 120V TO 12V ONCE THE UNIT IS UNPLUGGED
- ⑥ 4 EA. SS LOCKING SWIVEL CASTERS
- ⑦ 1 EA 12 X 36 STAINLESS STEEL PRE-FILTER GRILLE WITH 35% EFFICIENT, DISPOSABLE PRE-FILTER
- ⑧ STAINLESS STEEL PUSH-PULL HARDWARE
- ⑨ CONTROL PANEL WITH ON/OFF SWITCH, PILOT LIGHT INVERTER/CHARGE CONTROL PANEL
- ⑩ SERVICE ACCESS PANELS
- ⑪ PERFORATED STAINLESS STEEL EXHAUST GRILLE
- ⑫ SS TRAY SUPPORTS W/ SS ANGLES
- ⑬ BATTERY COMPARTMENT WITH 2 DEEP CELL BATTERIES
- ⑭ POWER CONVERTER

NOTES:

- UNIT CONSTRUCTION TO BE 16 GA. TYPE 316L STAINLESS STEEL WITH A #4 FINISH
- UNIT TO MEET ISO STANDARD 14644-1 (FED. STD. 209B & 209E)
- ELECTRICAL WIRING TO CONFORM TO NEC STANDARDS
- EQUIPPED WITH (2) 12V BATTERIES AND CHARGER FOR APPROX. 3 HRS. RUNNING TIME
- UNIT TO AUTOMATICALLY SWITCH FROM 120V TO 12V ONCE THE UNIT IS UNPLUGGED WHEN POWER SWITCH IS TURNED ON

DRAWN FOR		HALCO PRODUCTS CO.			
		100 NO. GORDON STREET ELK GROVE, IL. 60007			
		TITLE TRANSPORT CART PTC2545-20/SS			
DRAWN BY	TM	SIZE	JOB NO. 12614	DWG NO.	1616532BHalco
APPROVED BY		SCALE	3/4" = 1'-0"	DATE	12-13-10
				SHEET	