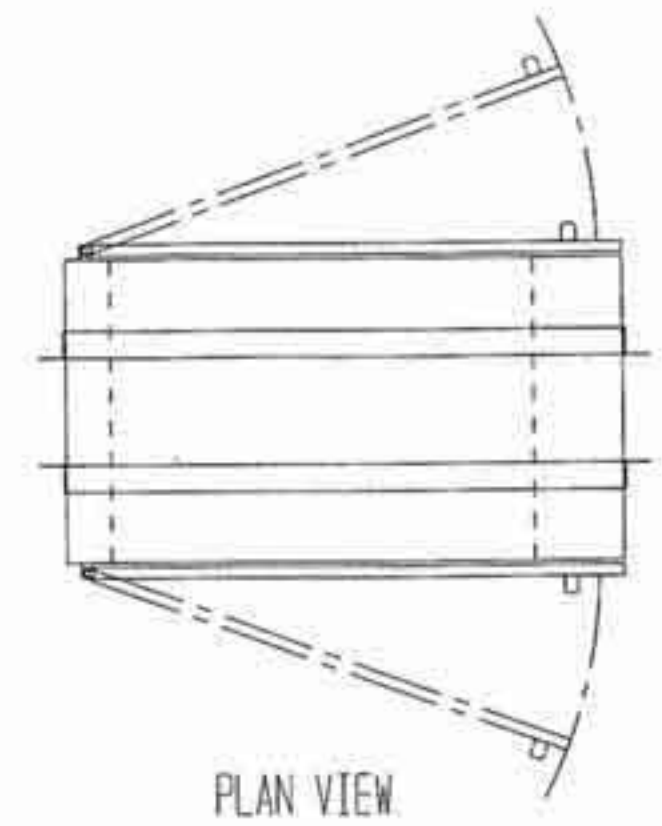
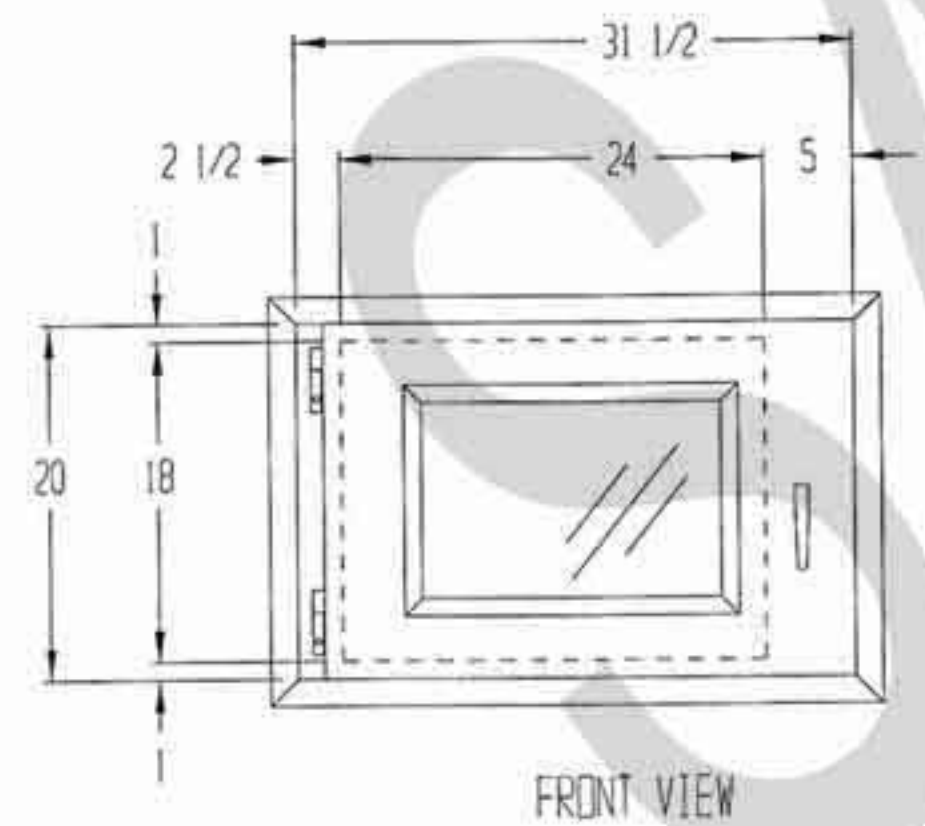


REV	DESCRIPTION	DATE	APPROVED



PLAN VIEW



FRONT VIEW



SIDE VIEW

NOTES:

- UNIT FABRIICATION TO BE DOUBLE WALL, CONSTRUCTION
- UNIT TO BE CONSTRUCTED OF 20 GA. 304 STAINLESS STEEL WITH #4 FINISH.
- DOORS TO BE CONSTRUCTED OF 20 GA. 304 STAINLESS STEEL WITH 1/4" THK. ACRYLIC WINDOWS, PIVOT HINGES AND QUARTER TURN HANDLES
- UNIT TO BE SUPPLIED WITH 1 1/2" X 1 1/2" X 16 GA. 304 STAINLESS STEEL MOUNTING ANGLE (TO BE FIELD INSTALLED)
- UNIT TO HAVE AN ELECTRICAL DOOR INTERLOCK SYSTEM
- ROUGH OPENING TO BE 1/4" LARGER THAN OUTSIDE DIMENSIONS OF UNIT
- ELECTRICAL CONNECTION POINT TO BE PUNCHED IN FIELD

(1) UNITS REQUIRED, AS SHOWN

DRAWN FOR		HALCO PRODUCTS CO. 100 NO. GORDON STREET ELK GROVE, IL. 60007			
		TITLE PT2418-18 SS/EI			
DRAWN BY	TM	SIZE	JOB NO.	DWG NO.	1514293B0
APPROVED BY		SCALE	3/4"=1'-0"	DATE	1-26-07
				SHEET	