

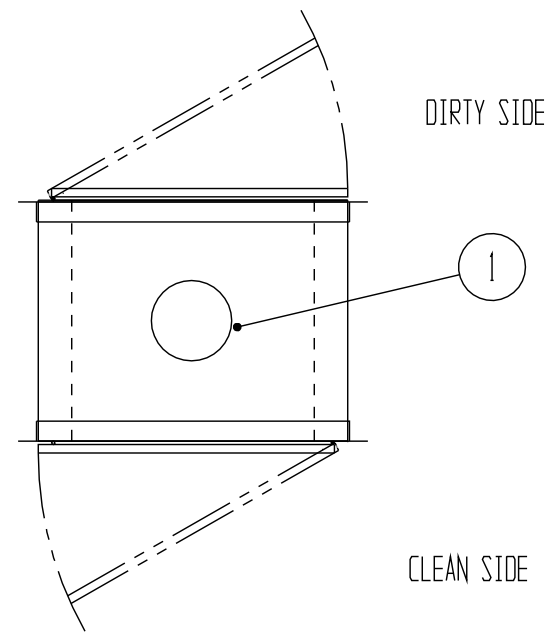
REVISIONS			
REV	DESCRIPTION	DATE	APPROVED

NOTES:

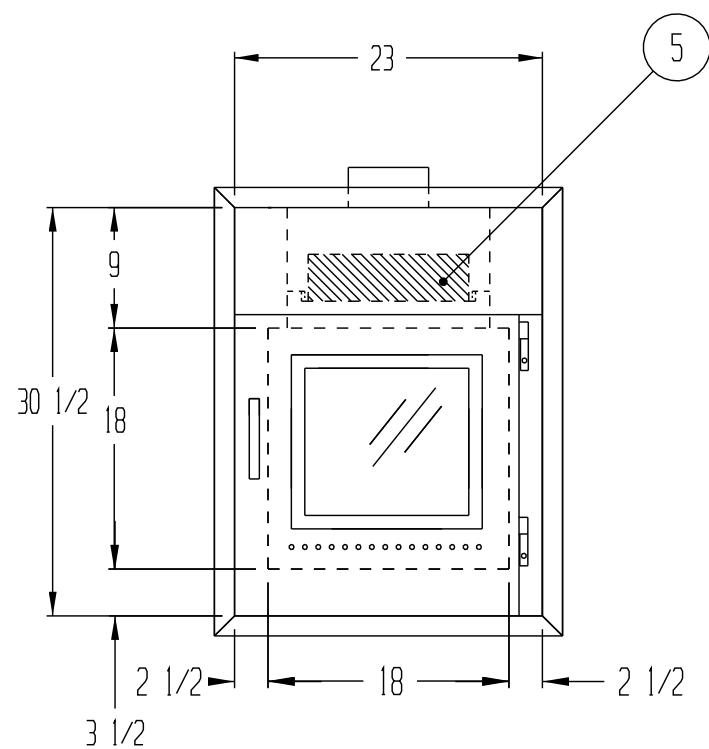
- UNIT FABRICATION TO BE DOUBLE WALL, CONSTRUCTED OF 20 GA. 304 STAINLESS STEEL WITH A NO. 4 FINISH
- DOORS TO BE CONSTRUCTED OF 304 STAINLESS STEEL WITH 1/4" THK. ACRYLIC INSERTS, BLACK POWDER PAINTED COMPRESSION HINGE, EDPM GASKET AND SS PULL HANDLE
- UNIT TO BE SUPPLIED WITH 1 1/2" X 1 1/2" X 16 GA. 304 STAINLESS STEEL MOUNTING ANGLE (TO BE FIELD INSTALLED)
- UNIT TO HAVE A MECHANICAL DOOR INTERLOCK SYSTEM
- ROUGH OPENING TO BE 1/4" LARGER THAN OUTSIDE DIMENSIONS OF UNIT
- EXHAUST PORTS IN BOTH DOORS

NOTES:

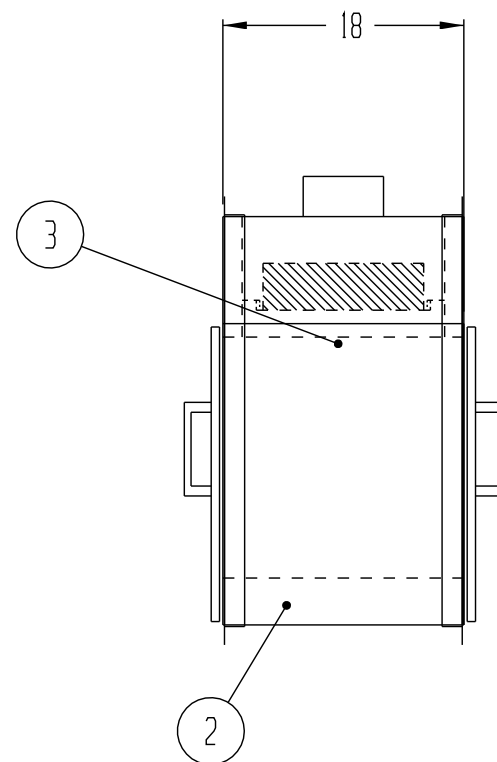
- ① TOP 6" DIAMETER SS DUCT CONNECTION
- ② BOTTOM MECHANICAL INTERLOCK COMPARTMENT
- ③ PERFORATED STAINLESS STEEL DIFFUSER GRILLE
- ④ EXHAUST AIR GRILLE IN BOTH DOORS
- ⑤ 12" X 12" X 3 1/2" HEPA FILTER, GEL SEL, REPLACEABLE W/ CENTER DIVIDER, (3) TEST PORTS, 2 3/4" FILTER PACK, 0.24" SP @ 90 FPM VELOCITY



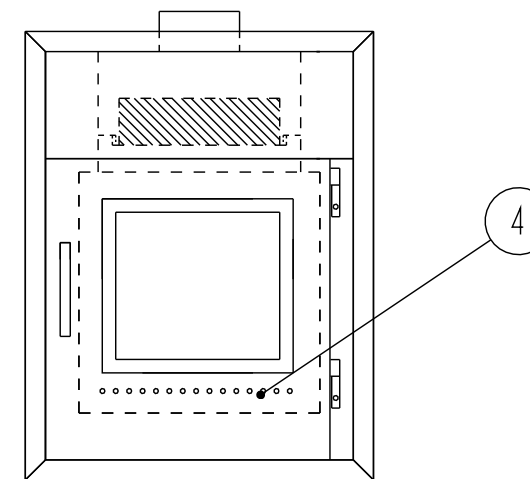
PLAN VIEW



REAR VIEW
(CLEAN SIDE)



SIDE VIEW



FRONT VIEW
(NON-CLEAN SIDE)

DRAWN FOR		HALCO PRODUCTS CO.			
		100 NO. GORDON STREET ELK GROVE, IL. 60007			
		TITLE PT1818-18SS/BMI/HC/SP			
DRAWN BY	TM	SIZE	JOB NO. 12812	DWG NO. 1516985BA	REV
APPROVED BY		SCALE	3/4"=1'-0"	DATE	12-5-11 SHEET