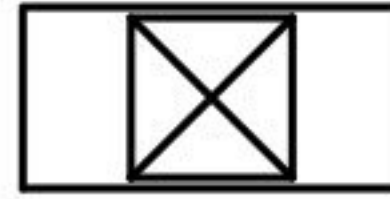
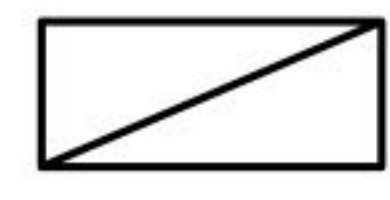


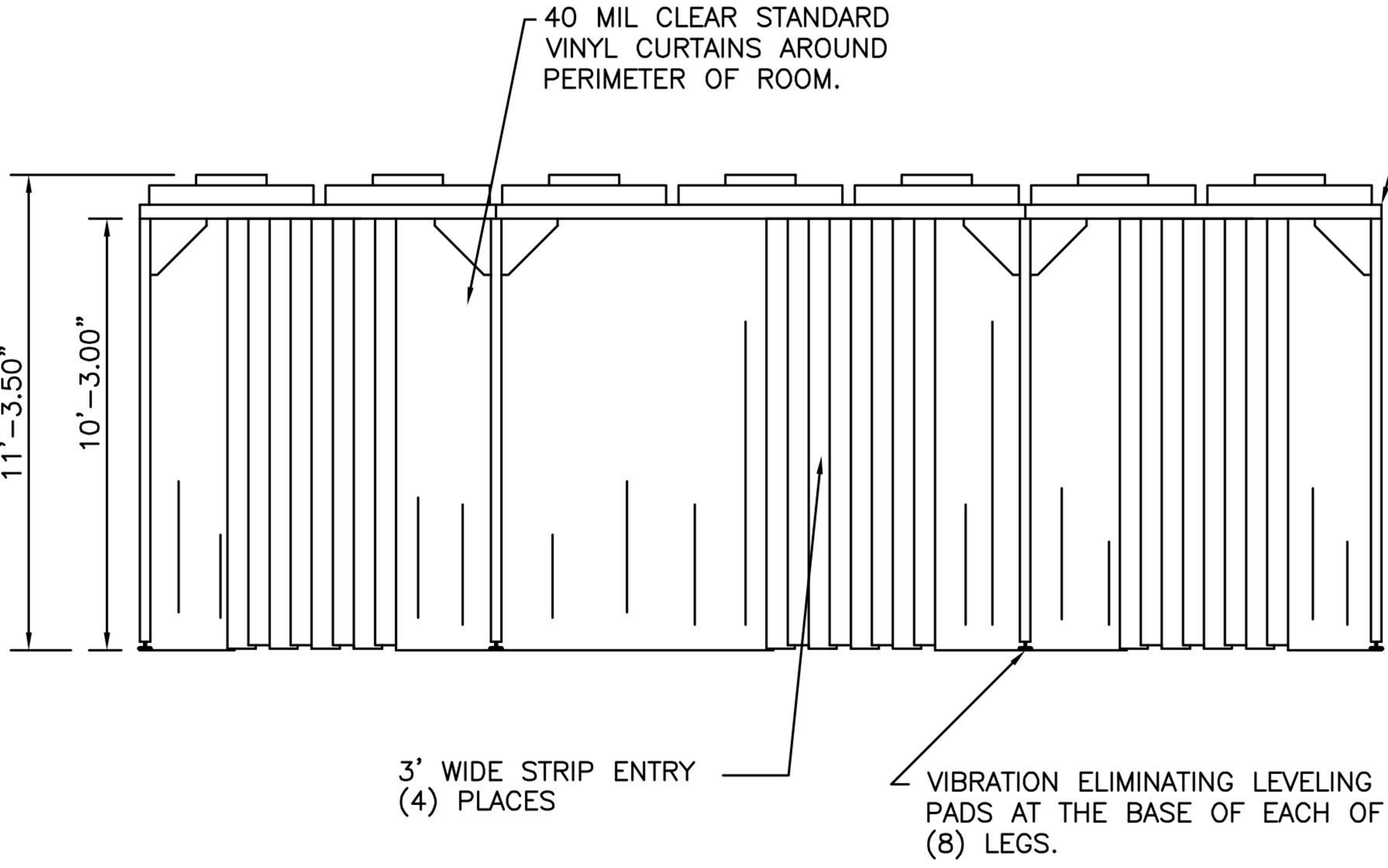
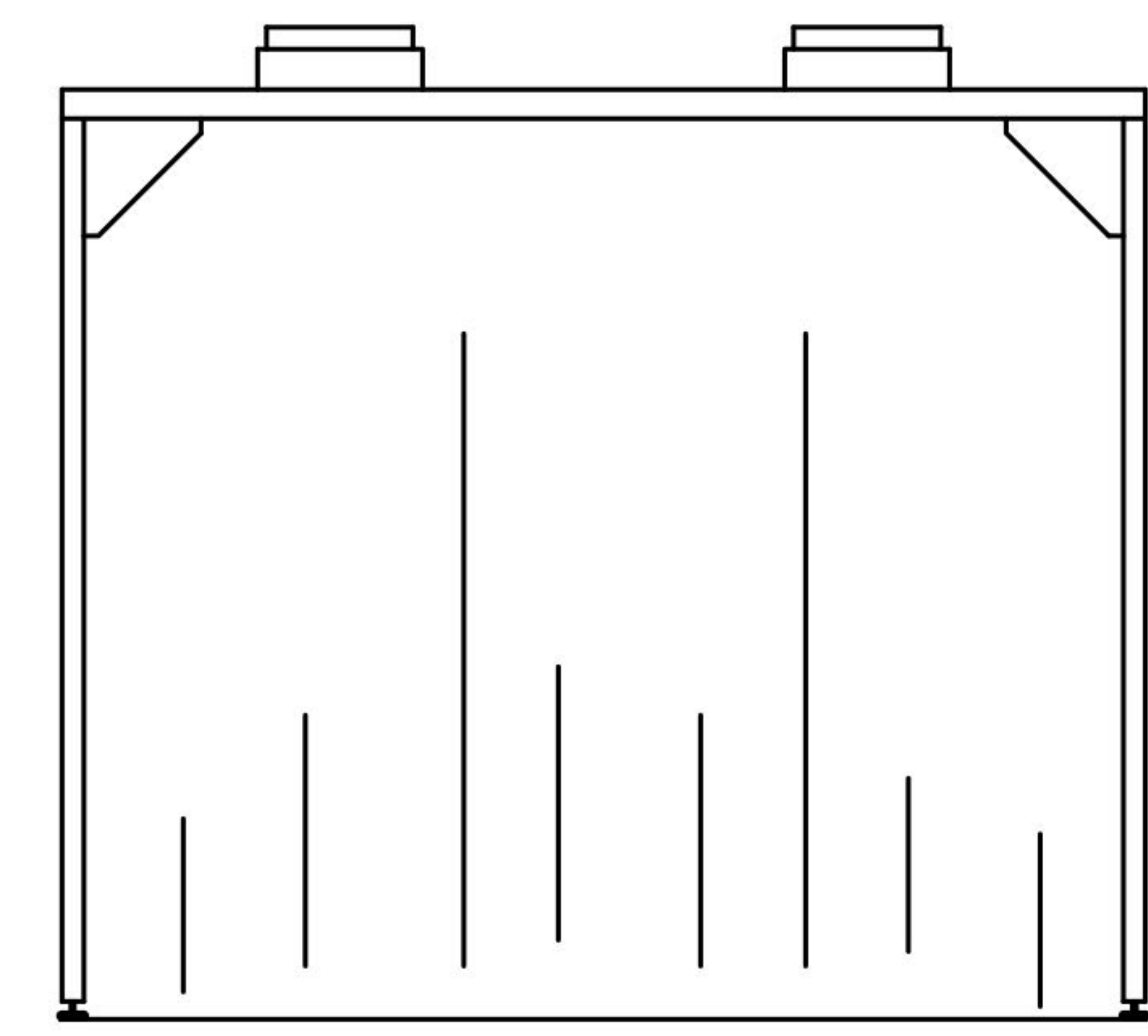


-  421-SPX MOTORIZED HEPA FILTER MODULE. VOLTAGE 120/1/60. PROVIDED WITH 3 SPEED SWITCH AND 8' POWER CORD. (10) PROVIDED AS SHOWN.
-  2'X4' LAY-IN LED LIGHT FIXTURE. VOLTAGE 120/1/60. (7) PROVIDED
-  2'X4' BLANK PANELS. VINYL COVERED GYPSUM WITH ALL EDGES SEALED.
-  CROSS TEES @ 24" ON CENTER.



EXTRUDED ALUMINUM FRAMEWORK FINISHED WITH WHITE POWDER BAKED ENAMEL.



3' WIDE STRIP ENTRY (4) PLACES

VIBRATION ELIMINATING LEVELING PADS AT THE BASE OF EACH OF (8) LEGS.

DRAWING DESCRIPTION:

12'x29' CLASS 10K SOFTWALL CLEANROOM

HALCO PRODUCTS CO.
 100 NO. GORDON STREET ELK GROVE, IL. 60007

SCALE:

DATE:
6/26/14

DRAWN BY:
RDP

REVISION:
B