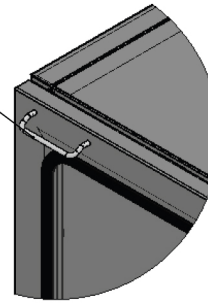


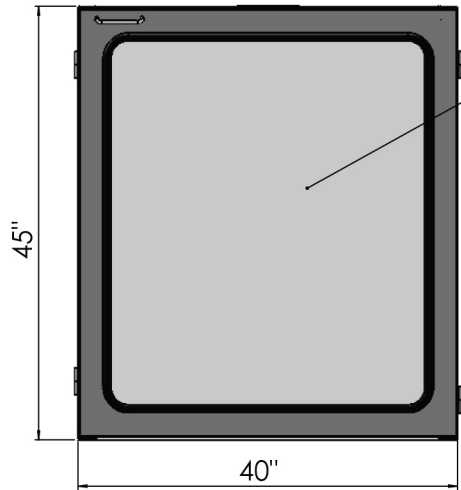
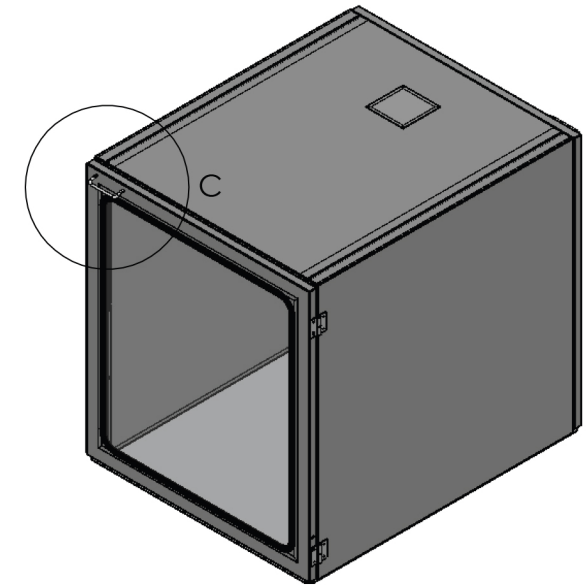
(7.50)

STAINLESS STEEL  
PULL HANDLES

COVER TO ACCESS  
WIRING FOR  
ELECTRIC DOOR  
INTERLOCK.  
VOLTAGE: 120/1/60



C (1 : 6)

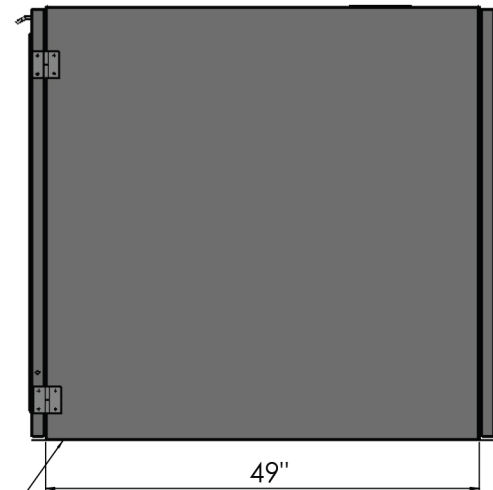


45"

TEMPERED GLASS  
INSERT IN STAINLESS  
STEEL DOOR FRAMES  
WITH LIFT OFF HINGES

40"

FLOOR PANEL SHIPPED  
SEPARATELY. USE PINS  
TO LOCATE ON-SITE



49"

OUTSIDE DIMENSIONS  
40"W x 45"H x 49"D

MATERIAL: 304 STAINLESS  
STEEL. FINISH #4

DOUBLE WALL CONST.

APPROVED BY: \_\_\_\_\_  
DATE: \_\_\_\_\_

REV.	DATE	BY	DESCRIPTION
			<b>HALCO PRODUCTS CO.</b> 100 NO. GORDON STREET ELK GROVE, IL. 60007
DATE	8/30/2012		40" x 45" x 49" CART PASS THRU
BY	AOK		