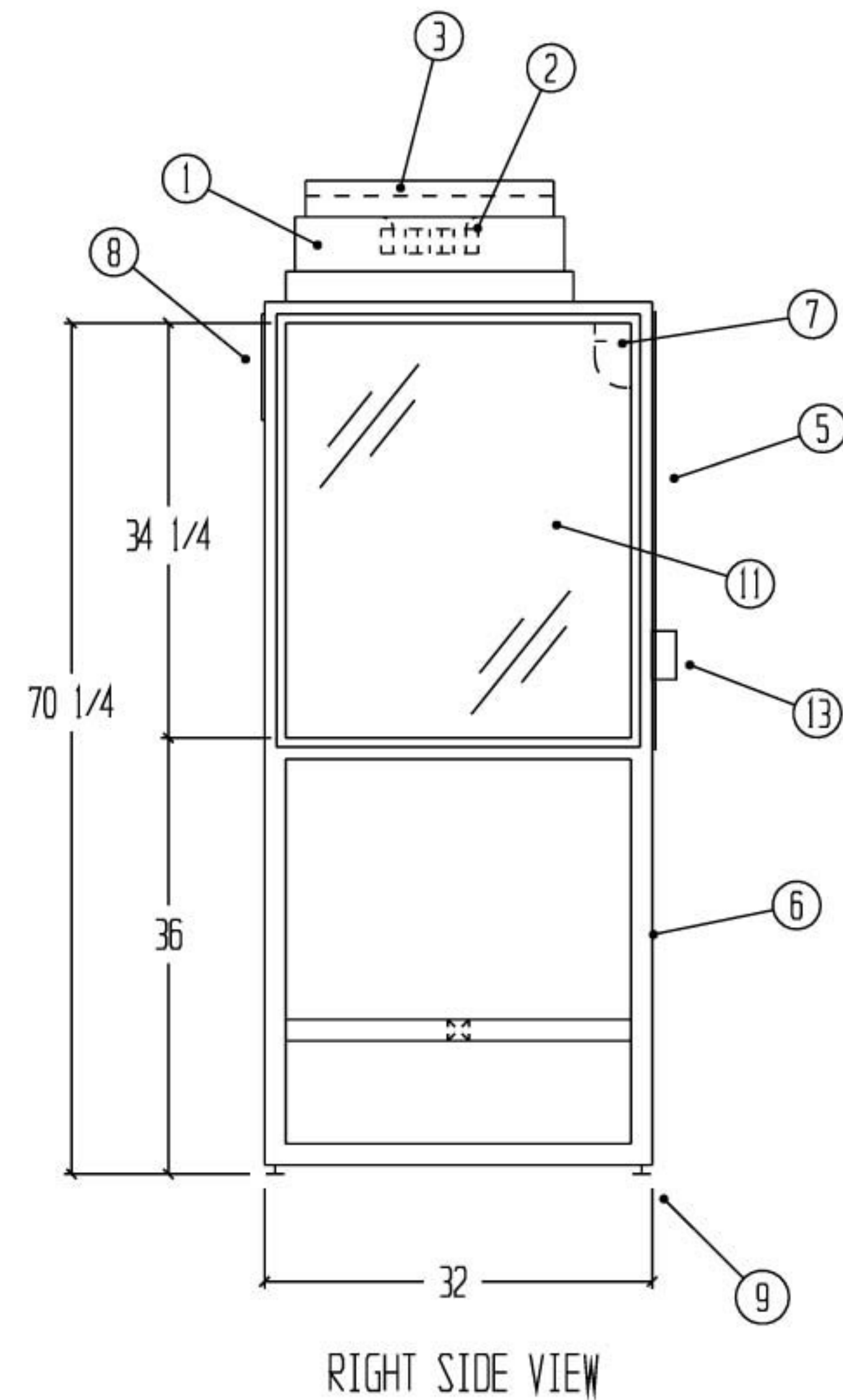
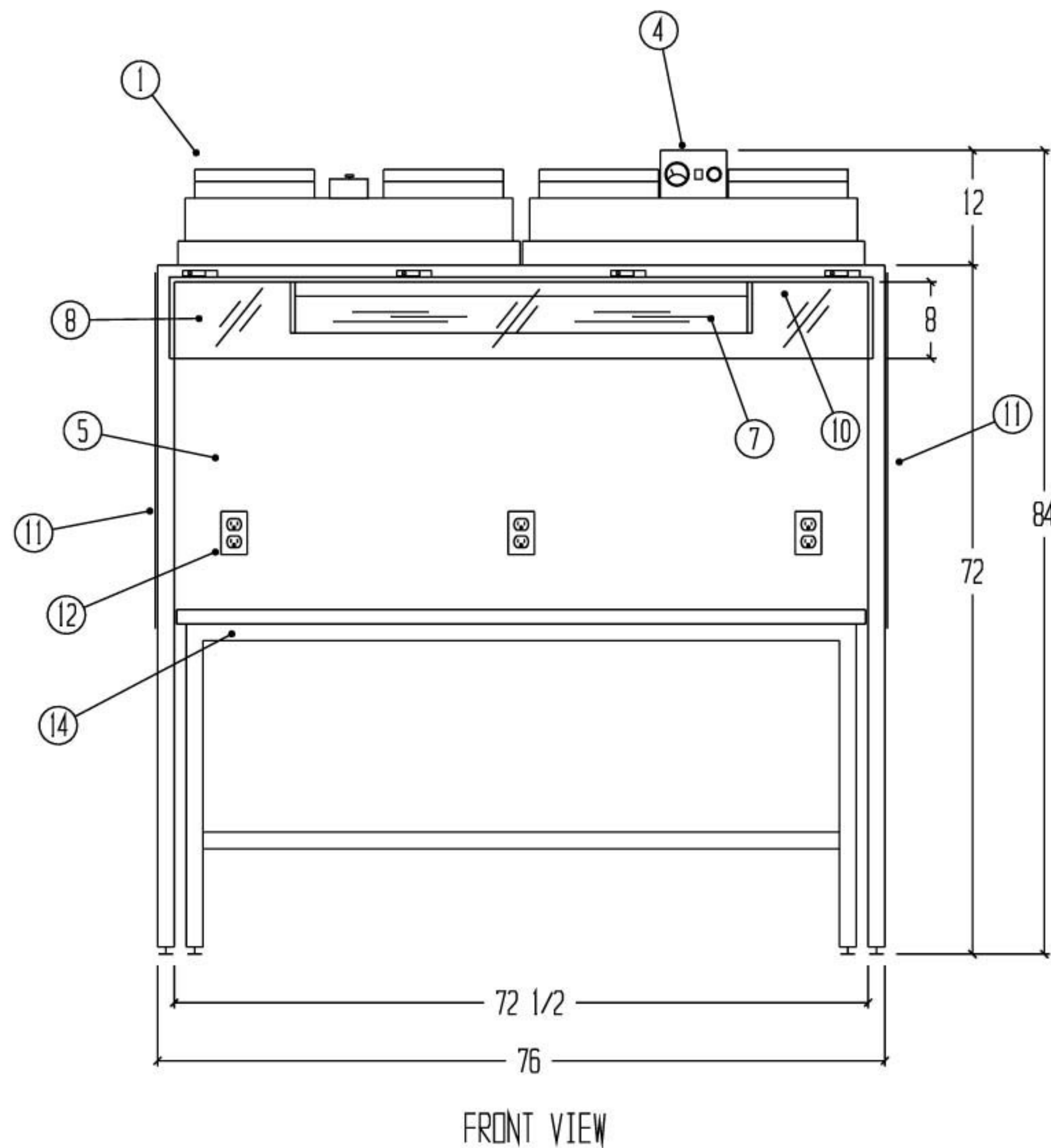
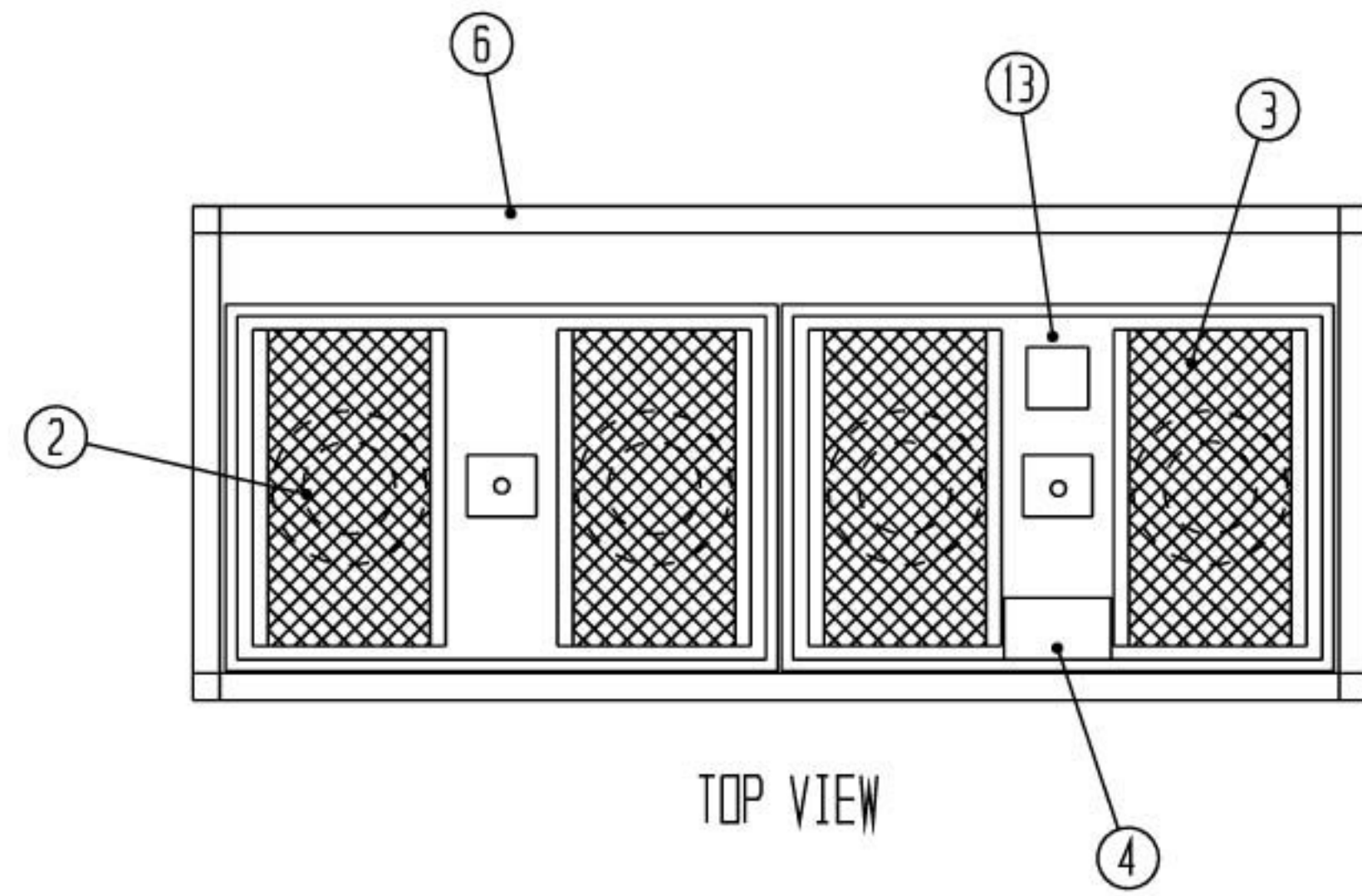


REVISIONS			
REV	DESCRIPTION	DATE	APPROVED
A	CHANGE IN WIDTH	5/19/03	
B	AS BUILT	6/30/03	

CONSTRUCTION:

- FTE2436LD/AL/PF TO BE CONSTRUCTED OF 14 GA. ANODIZED ALUMINUM
- FRAME TO BE CONSTRUCTED OF 1 3/4 X 1 3/4 X 14 GA. TUBULAR STEEL, PAINTED WHITE EPOXY
- WORKTABLE, CONSTRUCTED OF 5/4" PARTICLE BOARD LAMINATED WHITE STATIC-DISSIPATIVE PLASTIC LAMINATE, ON TUBULAR STEEL SUPPORT FRAME
- SIDE PANELS AND TABLE TOP TO HAVE 10⁶ TO 10⁷ OHMS PER SF RESISTIVITY
- UNIT TO MEET ISO STANDARD 14644-1 (FED. STD. 209E)
- ELECTRICAL WIRING TO CONFORM LATEST NEC STANDARDS
- CUSTOMER TO PROVIDE 115 VOLT/ 60HZ/ 15A SERVICE TO UNIT



- ① 2 EA. FTE 2436LD/AL/PF FILTER FAN MODULES, 23 5/8 X 35 5/8 X 4 1/4" THK. HEPA FILTER, 99.99% EFFICIENT ON 0.3 MICRON SIZE PARTICLES WITH SPEED CONTROL
- ② 4 EA. MOTORIZED IMPELLARS, 100W, 115V, 60HZ, 1200 CFM @ 1" SP
- ③ 4 EA. 20 X 12 X 1" THICK, DISPOSABLE PLEATED PRE-FILTERS, 35% EFFICIENT
- ④ CONTROL PANEL WITH BLOWER SWITCHES AND MINIHELIC GAGE
- ⑤ REAR PANEL TO BE 20 GA. STEEL, PAINTED WHITE EPOXY
- ⑥ 1 3/4" SQUARE TUBULAR STEEL FRAME, PAINTED WHITE EPOXY
- ⑦ 1 EA. 4FT TEAR DROP LIGHT FIXTURE WITH 1 EA. F32T8/SP741 TUBE
- ⑧ FRONT SHIELD, 8" HIGH ANTI-STATIC ESLON, WITH BULLET HINGES FOR REMOVAL
- ⑨ ADJUSTABLE LEG LEVELERS
- ⑩ WHITE EXPANDED PROTECTIVE GRILLES
- ⑪ 1/4" THK. REMOVABLE CLEAR ANTI-STATIC ESLON SIDE PANELS
- ⑫ 3 EA. DUPLEX, 115V, 15A ELECTRICAL OUTLETS WITH SURGE SUPPRESSOR
- ⑬ ELECTRICAL JUNCTION BOXES FOR CUSTOMER CONNECTION (DUPLEX RECEPTACLES)
- ⑭ SEPARATE WORK TABLE ON PAINTED STEEL; FRAME

DRAWN FOR		 HALCO PRODUCTS CO. 100 NO. GORDON STREET ELK GROVE, IL. 60007 TITLE CAT6302 SFE/ECON - CLASS 100			
DRAWN BY	LVB/JY	SIZE	JOB NO.	DWG NO.	REV
APPROVED BY		SCALE	1/2" = 1'-0"	DATE	SHEET
			10678	1912519BB	B
			5-16-03		