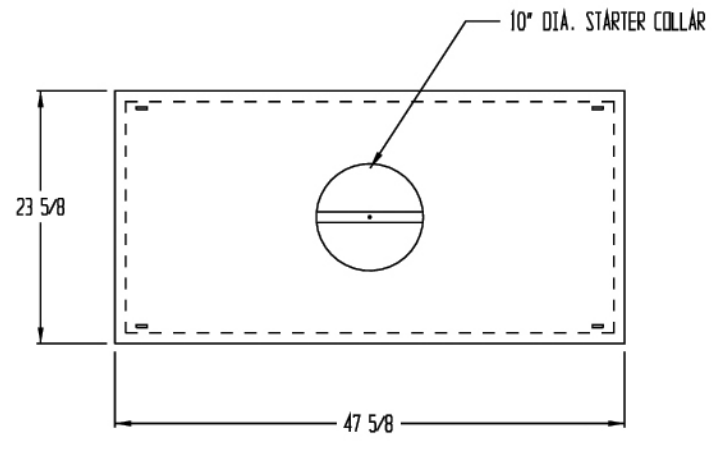
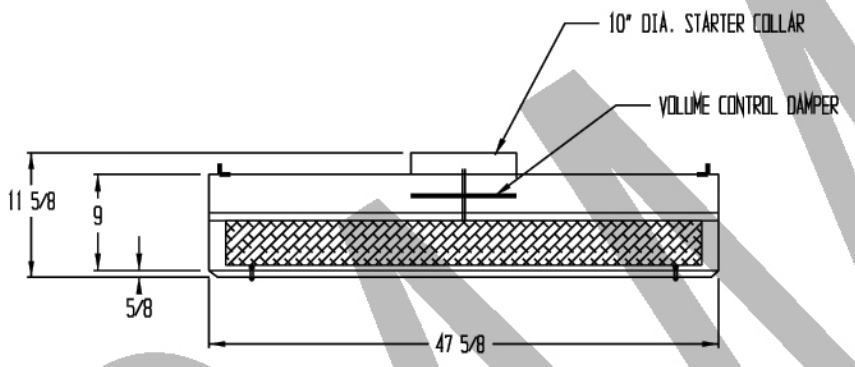


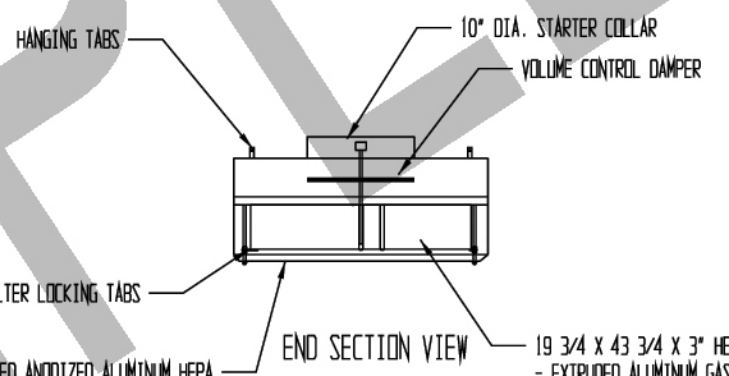
REVISIONS			
REV	DESCRIPTION	DATE	APPROVED



TOP VIEW



FRONT SECTION VIEW



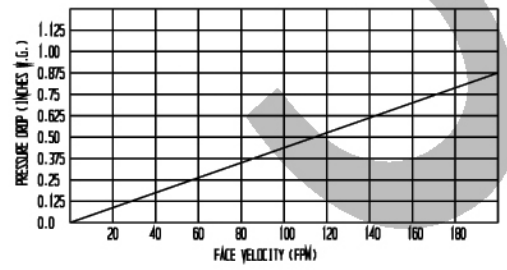
20 GA. PERFORATED ANODIZED ALUMINUM HEPA GRILLE 1/8" DIA. HOLES ON 3/16" STAGGERED CENTERS

- 19 3/4 X 43 3/4 X 3" HEPA FILTER
- EXTRUDED ALUMINUM GASKET SEAL FRAME
- 99.99% EFFICIENT ON 0.3 MICRON SIZE
- 2" FILTER PACK
- CENTER DIVIDER WITH SAMPLING PORT AND DAMPER ADJUSTMENT PORT

NOTES:

- UNIT TO BE CONSTRUCTED OF 14 GA. MILL FINISHED ALUMINUM WITH INWARD TURNED FLANGES, SEALED WITH POLYURETHANE SEALANT AND FASTENED FROM WITHIN WITH 1/4-20 SELF TAPPING SCREWS, PROVIDING AN AIRTIGHT PLENUM WITH A SMOOTH EXTERIOR SURFACE
- UNIT TO MEET ISO STANDARD 14644-1

PRESSURE DROP VS. FACE VELOCITY  
HEPA FILTER 2" MEDIA DEPTH, 99.99% @ 0.3 MICRONS



DRAWN FOR		<b>HALCO PRODUCTS CO.</b>			
		100 NO. GORDON STREET ELK GROVE, IL. 60007			
		TITLE FILTER MODULE - VF2448-AL/D10			
DRAWN BY	TM	SIZE	JOB NO.	ENG NO.	REV.
APPROVED BY		SCALE	NONE	DATE	1-26-10
				SHEET	