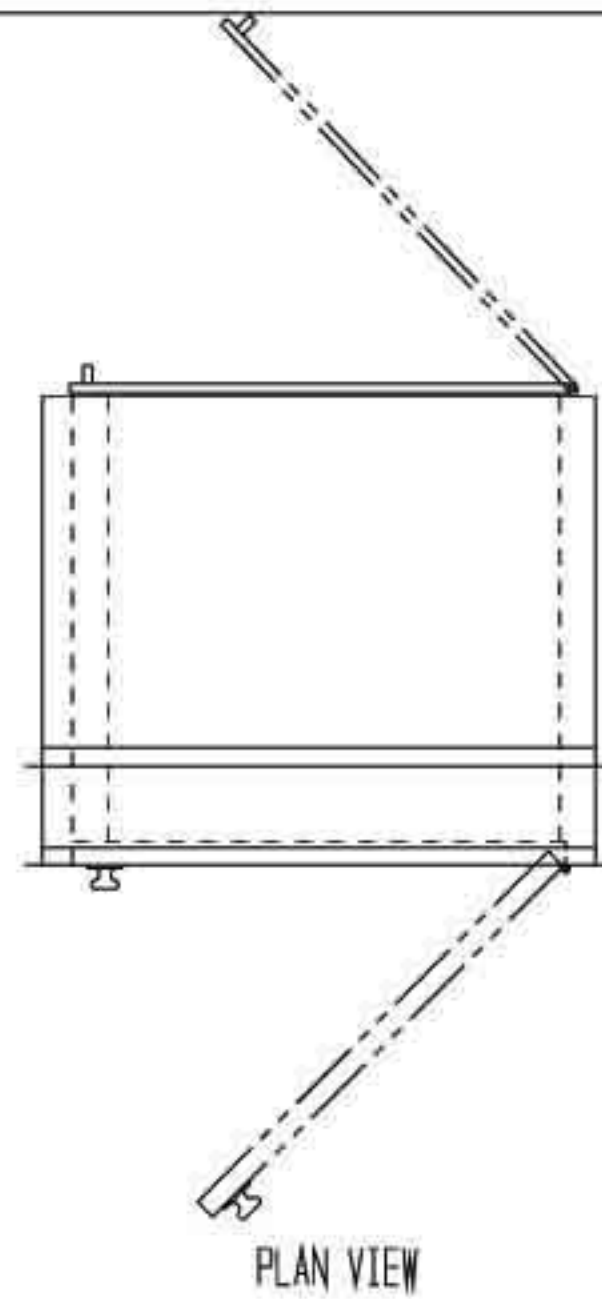


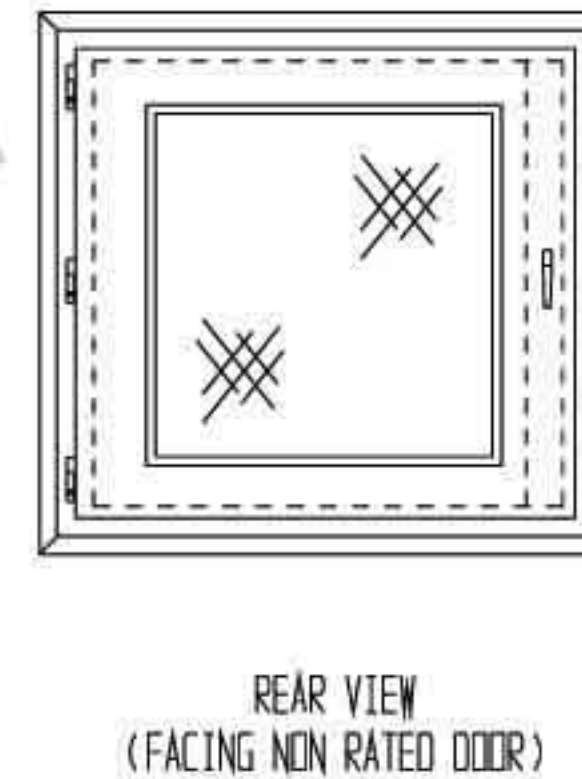
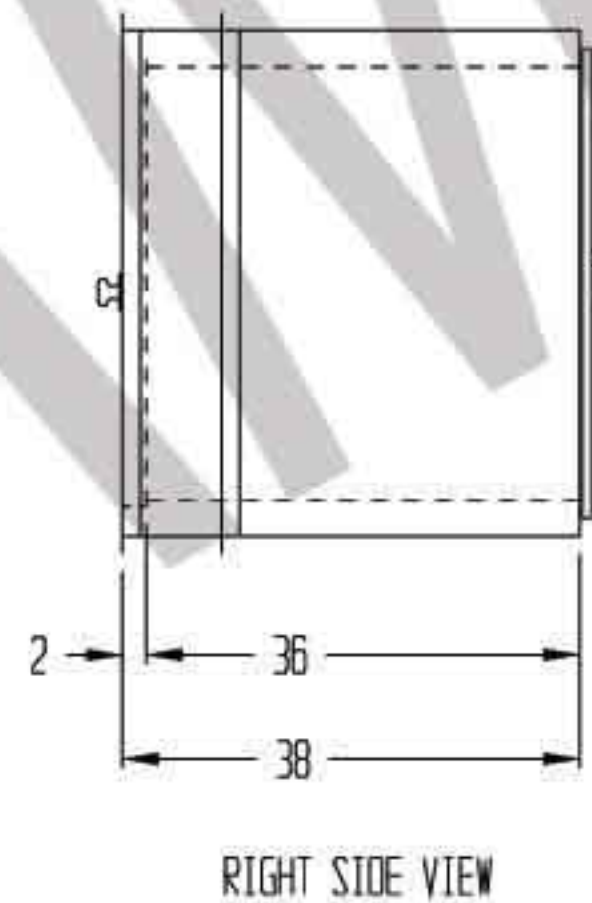
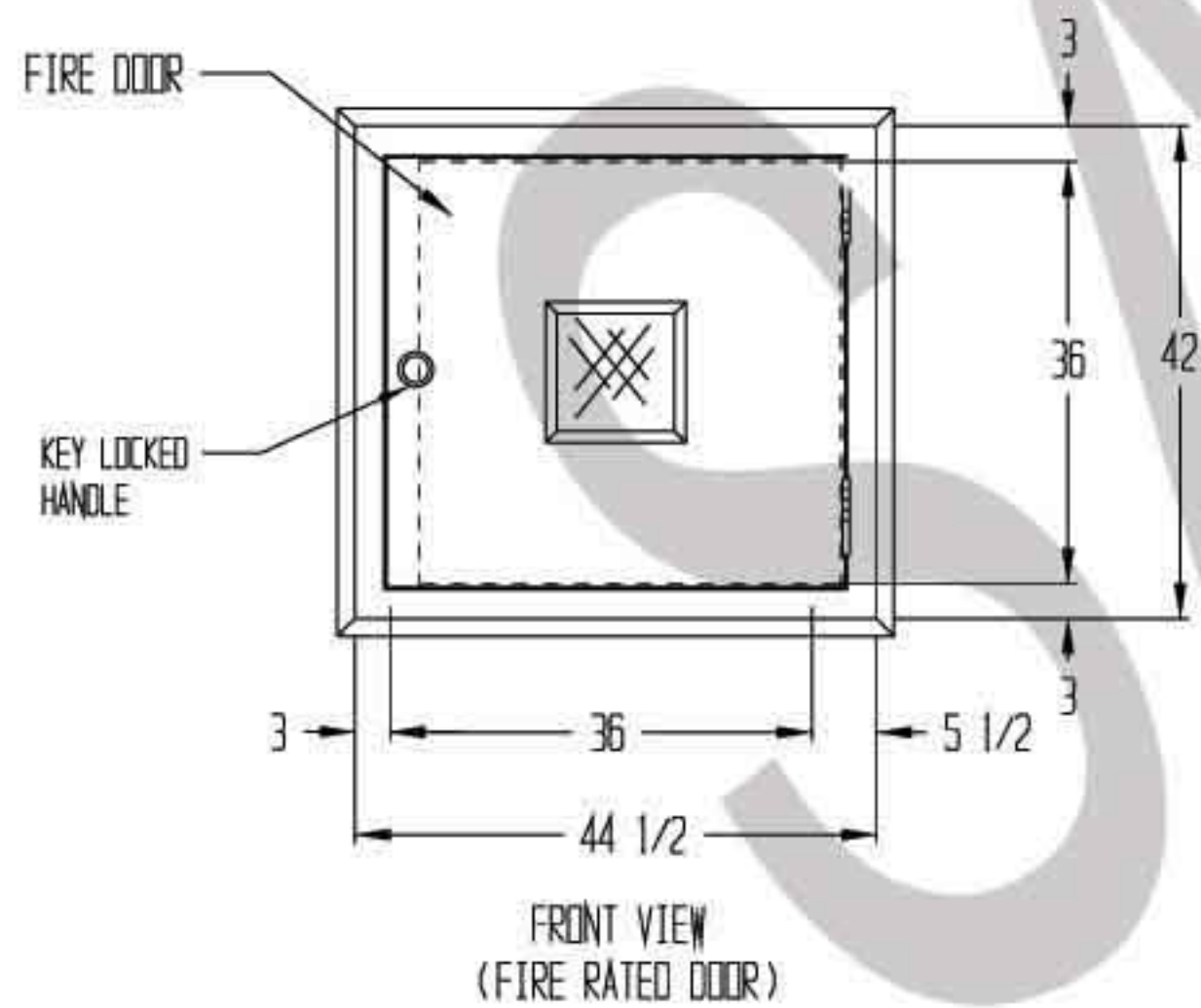
REVISIONS			
REV	DESCRIPTION	DATE	APPROVED



NOTES:

- UNIT FABRICATION TO BE DOUBLE WALL, CONSTRUCTED OF 16 GA. 304 STAINLESS STEEL WITH A NO. 4 FINISH
- (1) NON-RATED DOOR TO BE CONSTRUCTED OF 20 GA. TYPE 304 STAINLESS STEEL WITH 1/4" THK. WIRE GLASS WINDOW, (3) PIVOT HINGES, AND QUARTER TURN CHROME PLATED HANDLE. DOOR TO BE 3/4" THK, DOUBLE WALL CONSTRUCTED
- (1) FIRE RATED DOOR, 36 3/4" HIGH X 39 1/4" WIDE, TO BE 16 GA. TYPE 304 STAINLESS STEEL, 1 1/2 HOUR RATED, UL "B" LABELED. FIRE DOOR TO BE SUPPLIED WITH STAINLESS STEEL KNOB SET, SPRING LOADED BUTT HINGES, AND 10 X 10 WIRE GLASS WINDOW

- UNIT TO BE SUPPLIED WITH 1 1/2" X 1 1/2" X 16 GA. 304 STAINLESS STEEL MOUNTING ANGLE (TO BE FIELD INSTALLED)
- ROUGH OPENING TO BE 1/2" LARGER THAN OUTSIDE DIMENSIONS OF UNIT
- DOOR GASKET TO BE NON-PARTICULATING TYPE
- DOORS PROVIDED WITH MECHANICAL INTERLOCKS



DRAWN FOR		HALCO PRODUCTS CO. 100 NO. GORDON STREET ELK GROVE, IL. 60007			
		TITLE PASS THRU - PT 3636-36/SS/MI/FD			
DRAWN BY	TM	SIZE	JOB NO. -----	QWG NO.	151586380
APPROVED BY		SCALE	1/2" = 1'-0"	DATE	10-6-09
					SHEET