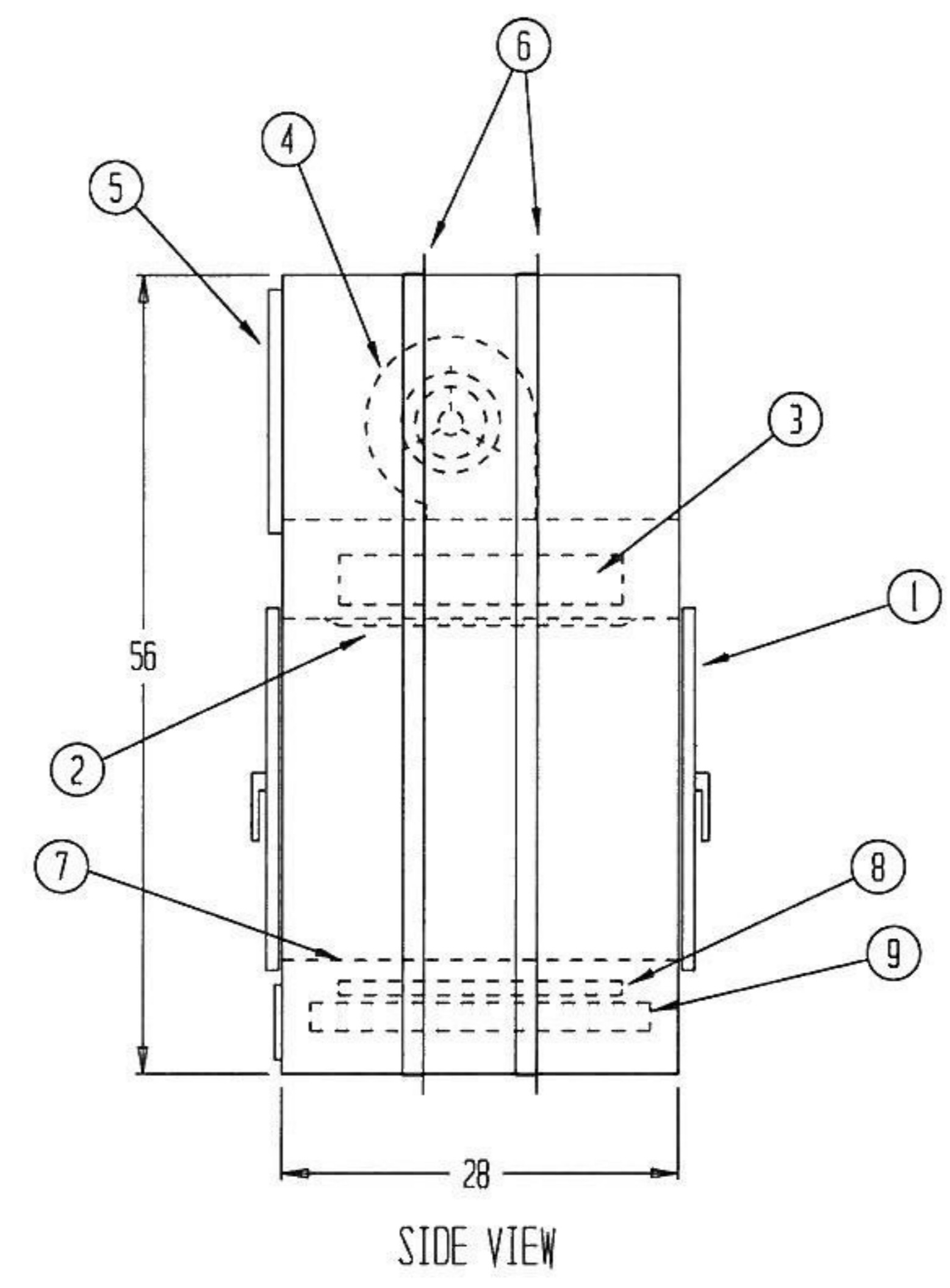
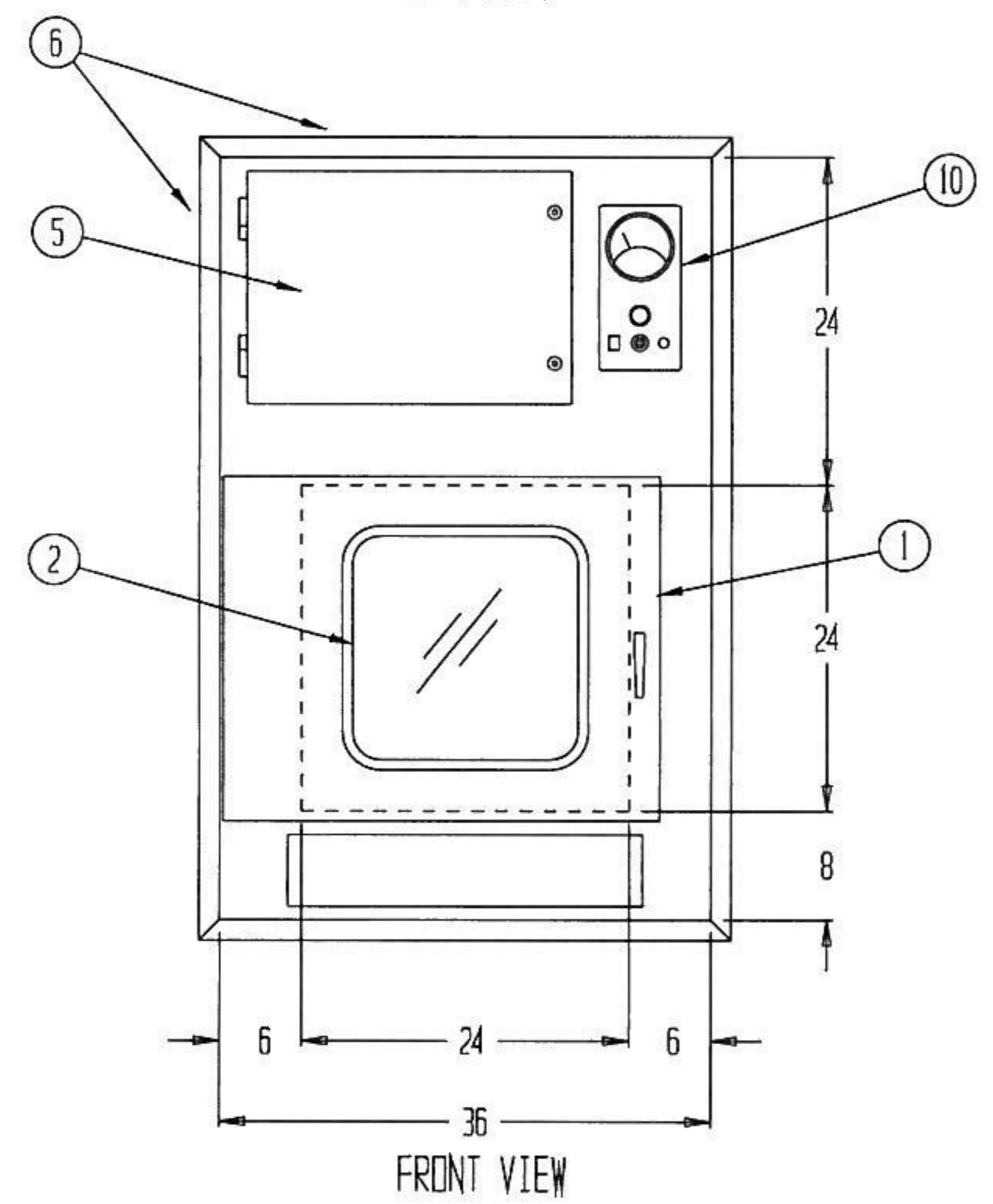
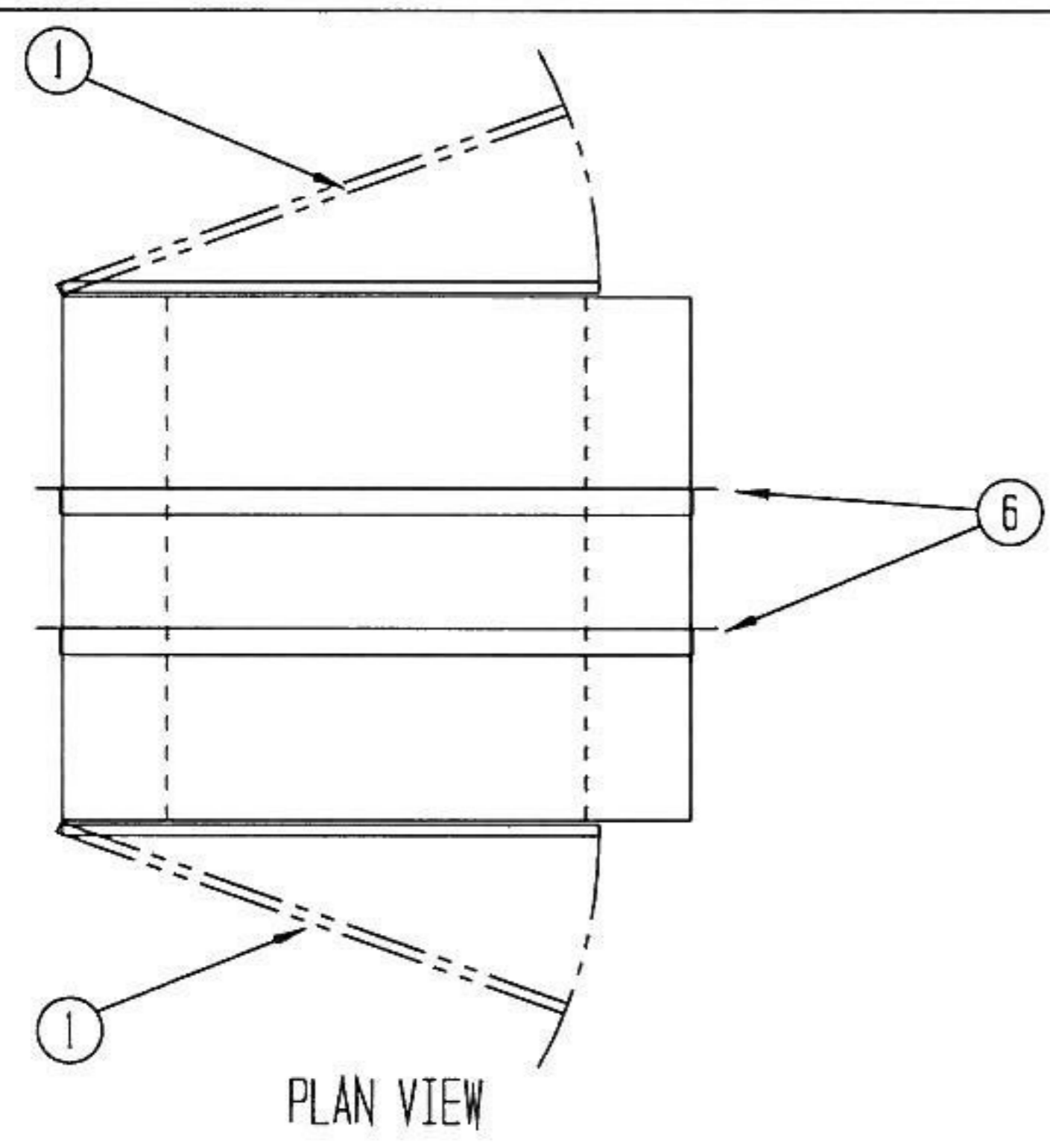


REVISIONS			
REV	DESCRIPTION	DATE	APPROVED

NOTES:

- UNIT CONSTRUCTION TO BE DOUBLE WALL:
- ... EXTERIOR TO BE 16 GA. GALVANNEALED STEEL, PAINTED WHITE EPOXY
- ... INTERIOR TO BE 16 GA. 316 STAINLESS STEEL WITH A #4 FINISH
- ... DOORS TO BE 20 GA. 304 STAINLESS STEEL WITH A NO. 4 FINISH
- UNIT TO BE SUPPLIED WITH 1 1/2" X 1 1/2" X 16 GA. 304 STAINLESS STEEL MOUNTING ANGLE (TO BE FIELD INSTALLED)
- UNIT TO HAVE AN ELECTRICAL DOOR INTERLOCK SYSTEM
- UNIT TO MEET OR EXCEED FEDERAL STANDARD 209E FOR CLASS 100 DEVICES
- UNIT TO BE CONSTANT HEPA FILTER PURGE
- ROUGH OPENING TO BE 1/4" LARGER THAN OUTSIDE DIMENSIONS OF UNIT

- ① STAINLESS STEEL DOORS, WITH 1/4" THK. SAFETY GLASS INSERTS, CONTINUOUS STAINLESS STEEL HINGE AND QUARTER TURN HANDLES
- ② REMOVABLE, PERFORATED STAINLESS STEEL GRILLE FOR HEPA FILTER REPLACEMENT
- ③ 1 EA. 20" X 20" X 3 1/2" ALUMINUM FRAMED HEPA FILTER, 99.99% EFFICIENT ON 0.3 MICRON SIZE PARTICLES, GEL SEAL, REPLACABLE FROM WITHIN THE CHAMBER
- ④ 1 EA. DOB-9AT MOTOR/BLOWER WITH A 1/3HP, 115V/ 60HZ/ 4.6FLA, DEVELOPING 100 FPM ACROSS FILTER FACE, TO INCLUDE ELECTRONIC SPEED CONTROL AND VIBRATION ISOLATION
- ⑤ HINGED ACCESS DOOR ON ONE NON-CLEAN SIDE
- ⑥ STAINLESS STEEL MOUNTING TRIM (SHIPPED LOOSE)
- ⑦ BOTTOM PANEL TO BE RE-ENFORCED TYPE 316 STAINLESS STEEL PERFORATED WITH 1/8" DIA. HOLES, 40% OPEN AREA
- ⑧ 1 EA. 20 X 20 X 1", 35% EFFICIENT, DISPOSABLE PRE-FILTER
- ⑨ 1 EA. 24 X 24 X 2" CHARCOAL FILTER, ACCESSABLE THROUGH HINGED PANEL WITH CAM LOCKS
- ⑩ CONTROL PANEL WITH BLOWER SPEED CONTROL, PHOTOHELIC GAUGE WITH HIGH/LOW SETPOINTS, AUDIBLE ALARM, RED



DRAWN FOR		TITLE PASS THRU MODEL PT2424-28/EI-HC/ST-SSI/SP			
DRAWN BY	LVB	SIZE	JOB NO.	DWG. NO.	159280B0
APPROVED BY		SCALE	3/4" = 1'-0"	DATE	3-30-97
				SHEET	