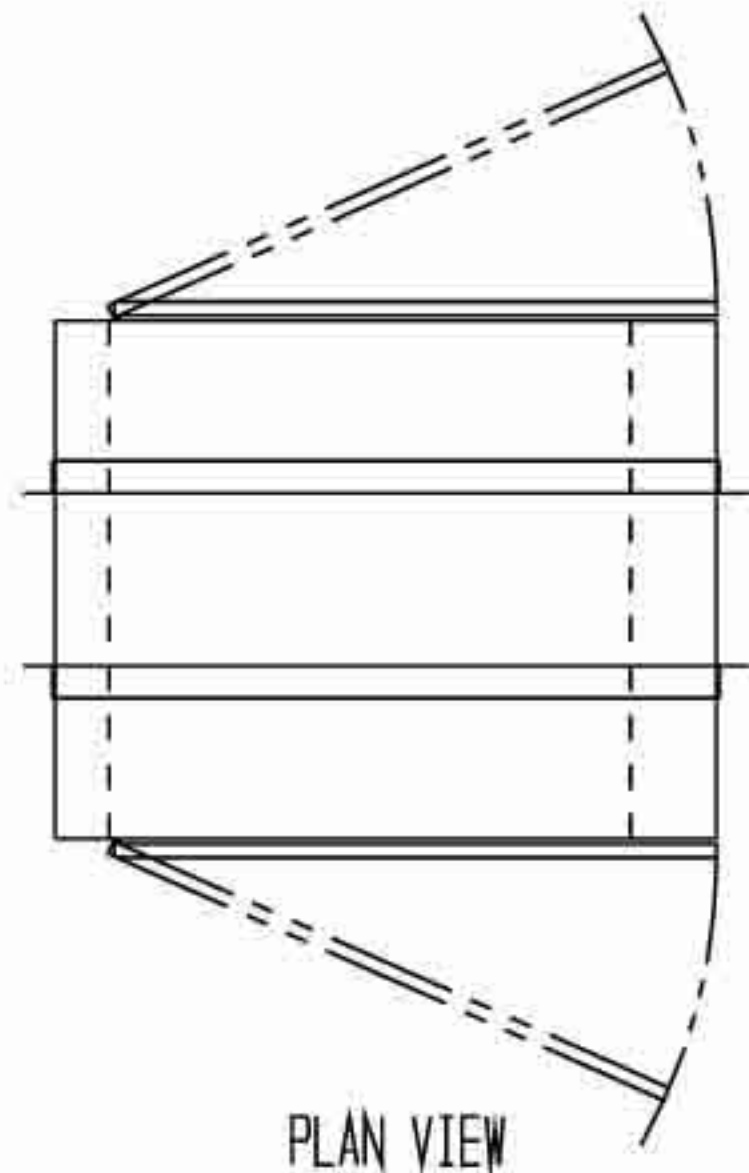


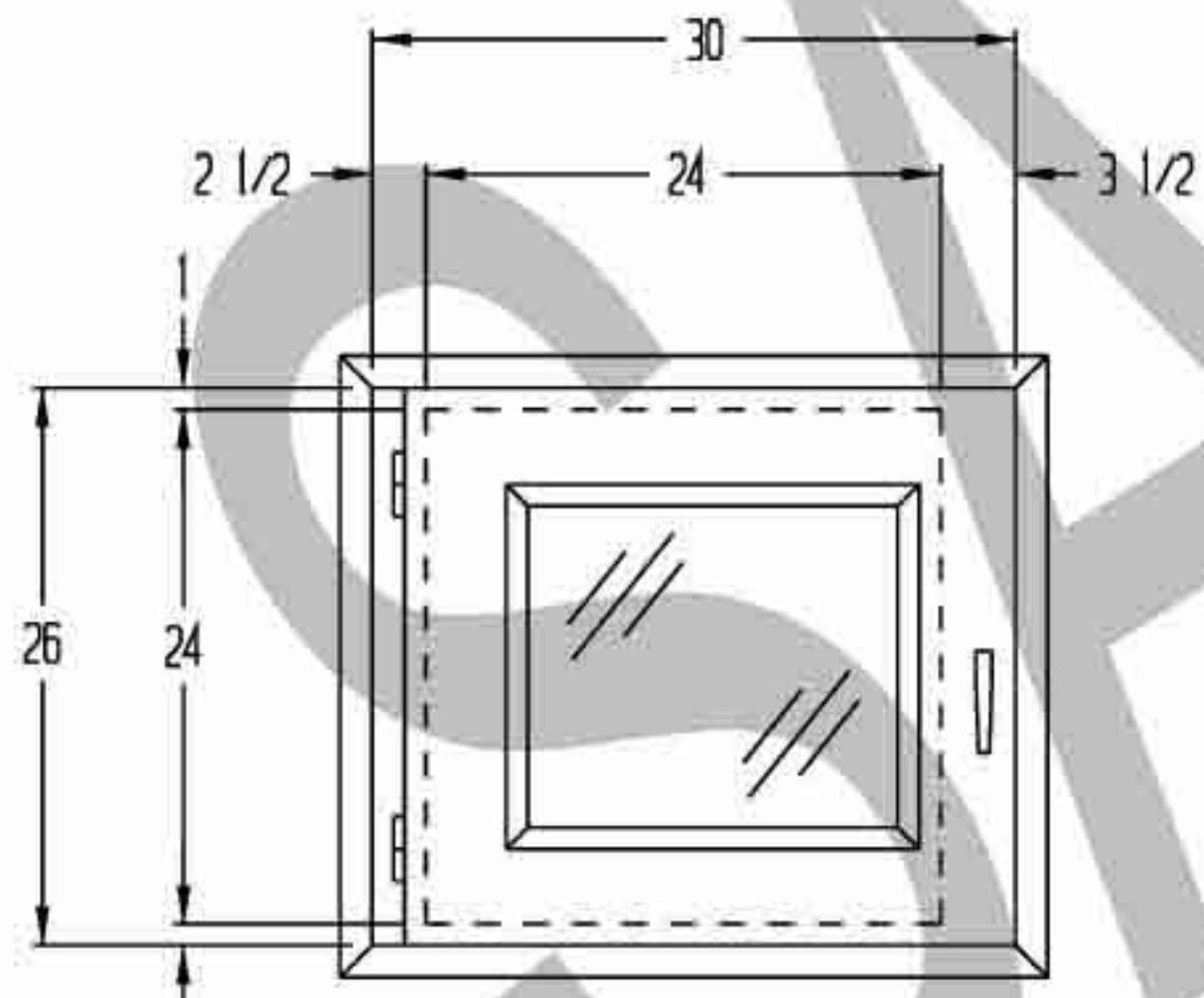
REVISIONS			
REV	DESCRIPTION	DATE	APPROVED



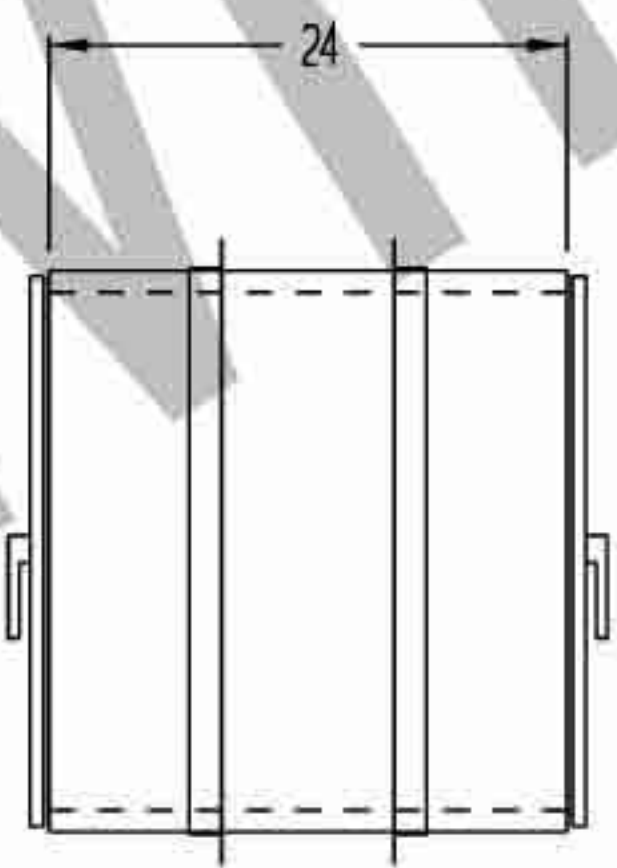
PLAN VIEW

NOTES:

- UNIT FABRICATION TO BE DOUBLE WALL, CONSTRUCTION
- EXTERIOR OF UNIT TO BE 20 GA. GALVANNEALED STEEL COVERED WITH WHITE EPOXY PAINT
- INTERIOR TO BE 20 GA. TYPE 304 STAINLESS STEEL WITH A #4 FINISH
- DOORS TO BE CONSTRUCTED OF DOUBLE WALL, 20 GA. PAINTED STEEL WITH 1/4" THK. CLEAR ACRYLIC GLAZING, PIVOT HINGE AND CHROME PLATED QUARTER TURN HANDLES
- UNIT TO BE SUPPLIED WITH 1 1/2" X 1 1/2" X 16 GA. 304 STAINLESS STEEL MOUNTING ANGLE (TO BE FIELD INSTALLED)
- UNIT TO HAVE A MECHANICAL DOOR INTERLOCK SYSTEM
- ROUGH OPENING TO BE 1/4" LARGER THAN OUTSIDE DIMENSIONS OF UNIT



FRONT VIEW



SIDE VIEW

(1) UNITS REQUIRED, AS SHOWN

DRAWN FOR		HALCO PRODUCTS CO. 100 NO. GORDON STREET ELK GROVE, IL. 60007		
		TITLE PT2424-24 ST/SSI/MI		
DRAWN BY	TM	SIZE	JOB NO. -----	DWG NO. 1515998B0
APPROVED BY		SCALE	NONE	DATE 1-13-10 SHEET