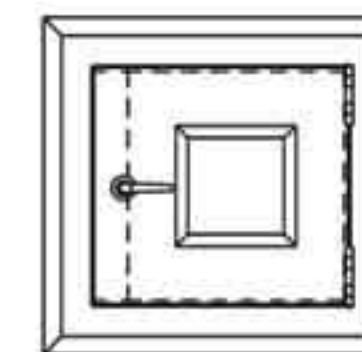
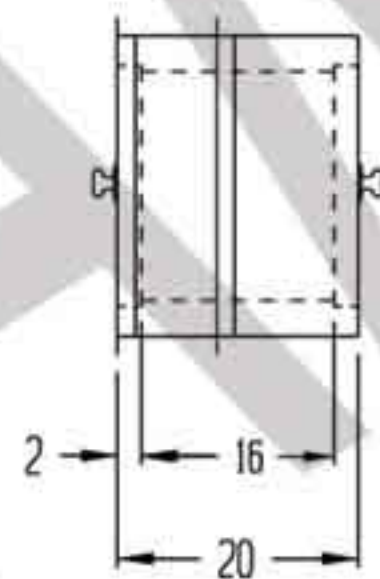
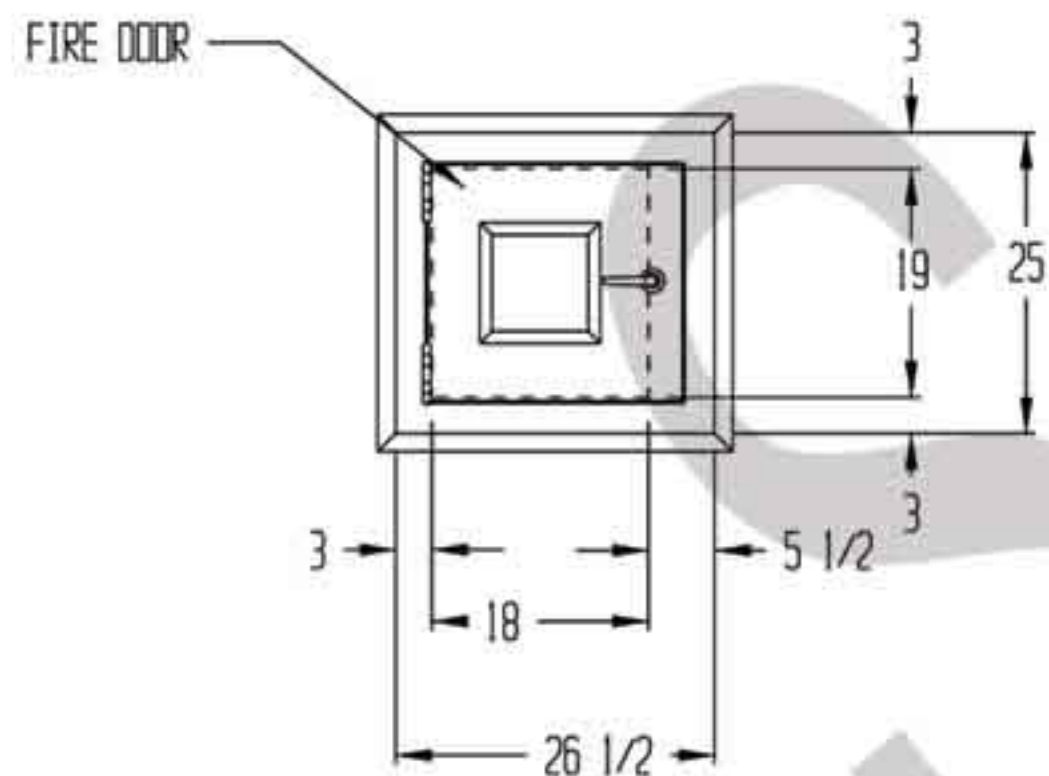
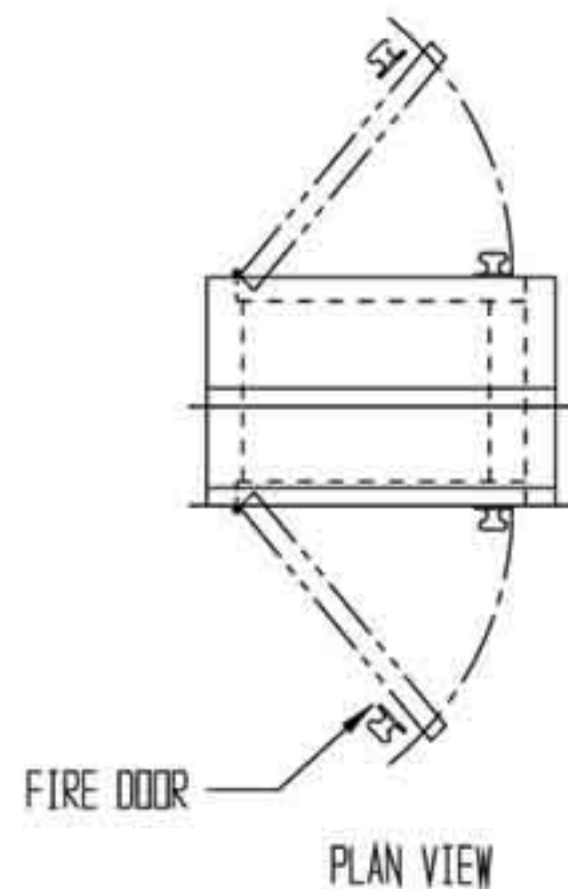


REVISIONS			
REV	DESCRIPTION	DATE	APPROVED

NOTES:

- UNIT FABRICATION TO BE DOUBLE WALL, CONSTRUCTED OF 16 GA. PAINTED STEEL EXTERIOR & TYPE 304 STAINLESS STEEL INTERIOR WITH A NO. 4 FINISH
- (1) NON-RATED DOOR TO BE CONSTRUCTED OF 16 GA. TYPE 304 STAINLESS STEEL WITH 1/4" THK. 8" X 8" WIRE GLASS GLAZING, (2) PLATED SPRING HINGE AND SELF LATCHING HANDLE. DOOR TO BE 1 3/4" THK, DOUBLE WALL CONSTRUCTED
- (1) FIRE RATED DOOR, TO BE 16 GA. TYPE 304 STAINLESS STEEL WITH A #4 FINISH, 1 1/2 HOUR RATED, UL "B" LABELED. FIRE DOOR TO BE SUPPLIED WITH STAINLESS STEEL KNOB SET, SPRING CLOSE BUTT HINGES AND 8" X 8" WIRE GLASS WINDOW
- DOOR GASKET TO BE NON-PARTICULATING TYPE
- UNIT TO BE SUPPLIED WITH 1 1/2" X 1 1/2" X 16 GA. 304 STAINLESS STEEL MOUNTING ANGLE (TO BE FIELD INSTALLED)
- ROUGH OPENING TO BE 1/2" LARGER THAN OUTSIDE DIMENSIONS OF UNIT
- UNIT EQUIPPED WITH MECHANICAL DOOR INTERLOCK SYSTEM



DRAWN FOR		HALCO PRODUCTS CO.			
		100 NO. GORDON STREET ELK GROVE, IL. 60007			
		TITLE PASS THRU - PT1819-16 MI/ST/SSI/FD/SP			
DRAWN BY	TM	SIZE	JOB NO. -----	DNF NO.	151510880
APPROVED BY		SCALE	1/2"=1'	DATE	5-21-08
				SHEET	