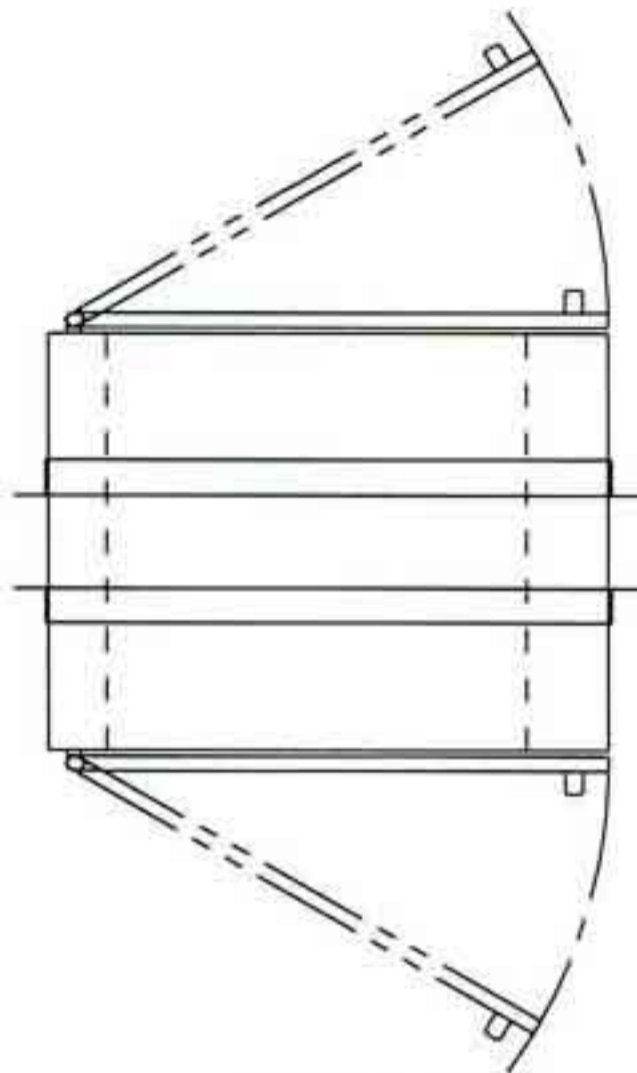


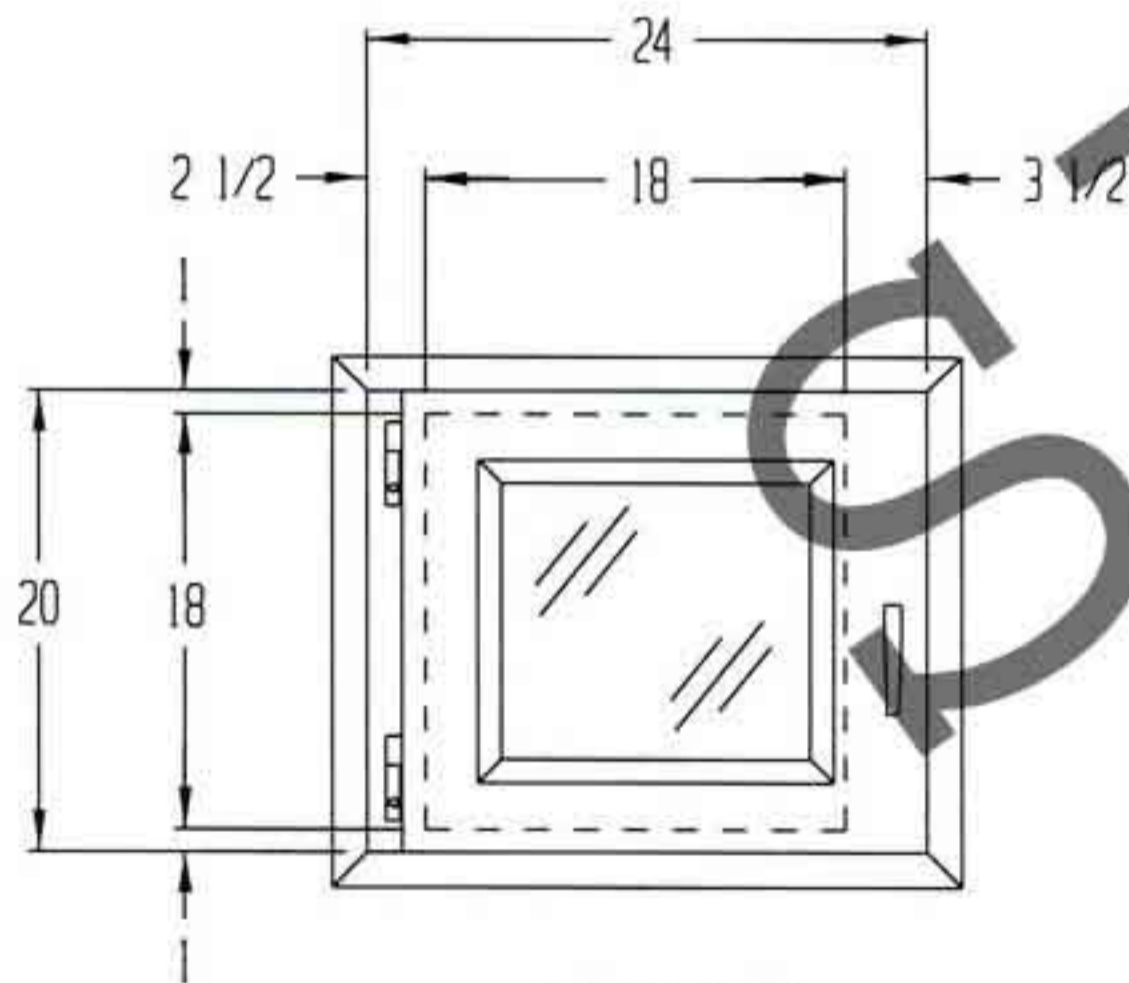
REVISIONS			
REV	DESCRIPTION	DATE	APPROVED



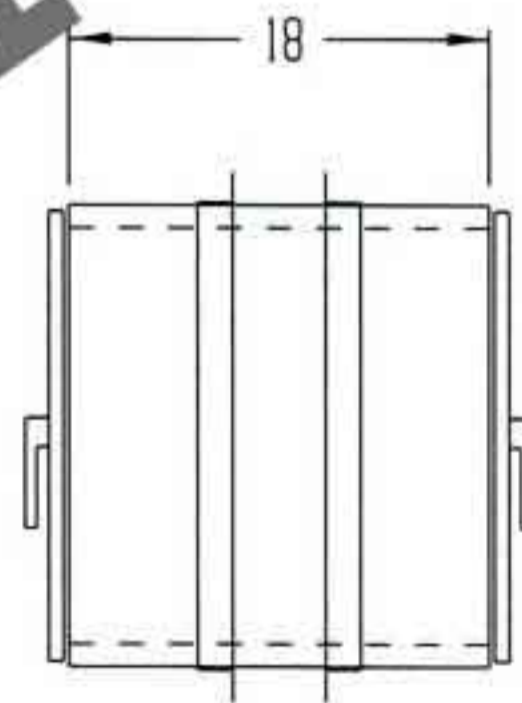
PLAN VIEW

NOTES:

- UNIT FABRICATION TO BE DOUBLE WALL, CONSTRUCTION
- UNIT TO BE CONSTRUCTED OF 20 GA. 304 STAINLESS STEEL WITH #4 FINISH.
- DOORS TO BE CONSTRUCTED OF 304 STAINLESS STEEL WITH 1/4" THK. CLEAR ACRYLIC WINDOWS, BULLET HINGES AND QUARTER TURN HANDLES
- UNIT TO BE SUPPLIED WITH 1 1/2" X 1 1/2" X 16 GA. 304 STAINLESS STEEL MOUNTING ANGLE (TO BE FIELD INSTALLED)
- UNIT TO HAVE A MECHANICAL DOOR INTERLOCK SYSTEM
- ROUGH OPENING TO BE 1/4" LARGER THAN OUTSIDE DIMENSIONS OF UNIT
- PROVIDED W/ (1) SOLID SS SHELF & ADJUSTABLE PILASTER SUPPORTS



FRONT VIEW



SIDE VIEW

(1) UNIT REQUIRED, AS SHOWN

DRAWN BY MJE		HALCO PRODUCTS CO.		REV
		100 NO. GORDON STREET ELK GROVE, IL. 60007		
APPROVED BY		TITLE PASS THRU MODEL #PT1818-18 MI/SS		SHEET
SCALE		1"=1'-0"	DATE 05/22/08	