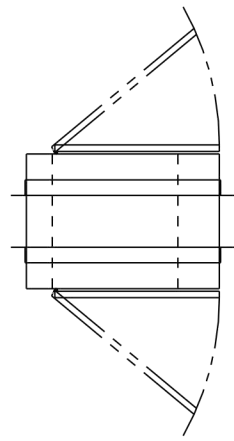


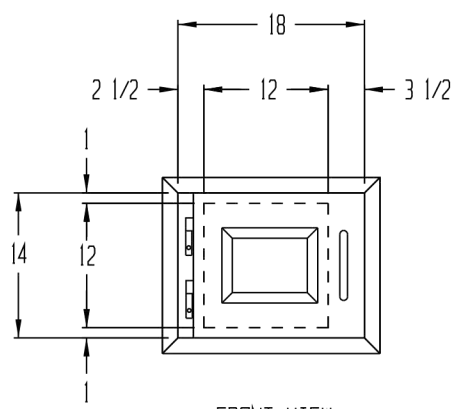
REVISIONS			
REV	DESCRIPTION	DATE	APPROVED



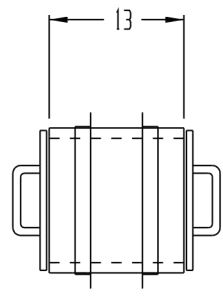
PLAN VIEW

NOTES:

- UNIT FABRICATION TO BE DOUBLE WALL, CONSTRUCTION
- UNIT TO BE CONSTRUCTED OF 20 & 16 GA. 304 STAINLESS STEEL WITH #4 FINISH
- DOORS TO BE CONSTRUCTED OF 20 & 16 GA. 304 STAINLESS STEEL WITH 1/4" THK. CLEAR ACRYLIC BOTH SIDES, BLACK POWDER COATED PIVOT HINGES AND STAINLESS STEEL "D" HANDLE
- UNIT TO BE SUPPLIED WITH 1 1/2" X 1 1/2" X 16 GA. 304 STAINLESS STEEL FINISHING TRIMS (TO BE FIELD INSTALLED)
- UNIT TO HAVE A MECHANICAL DOOR INTERLOCK SYSTEM
- ROUGH OPENING TO BE 1/4" LARGER THAN OUTSIDE DIMENSIONS OF UNIT



FRONT VIEW



SIDE VIEW

3 EACH AS SHOWN

DRAWN FOR		<b>HALCO PRODUCTS CO.</b> 100 NO. GORDON STREET ELK GROVE, IL. 60007			
		TITLE PT1212-13/SS/MI			
DRAWN BY	TM	SIZE	JOB NO. -----	DWG NO.	1518110A0
APPROVED BY		SCALE	NONE	DATE	3-20-14
				SHEET	