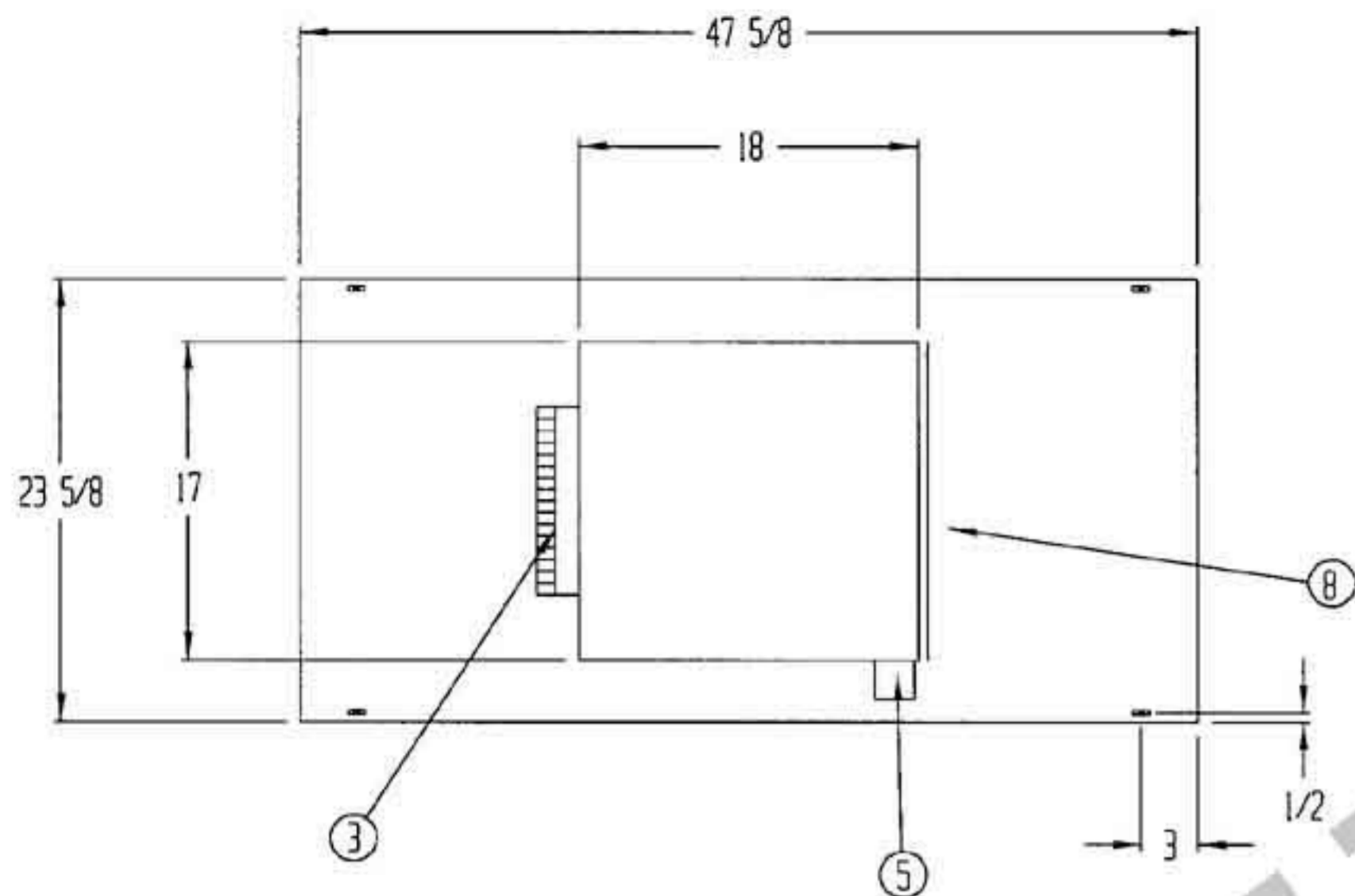


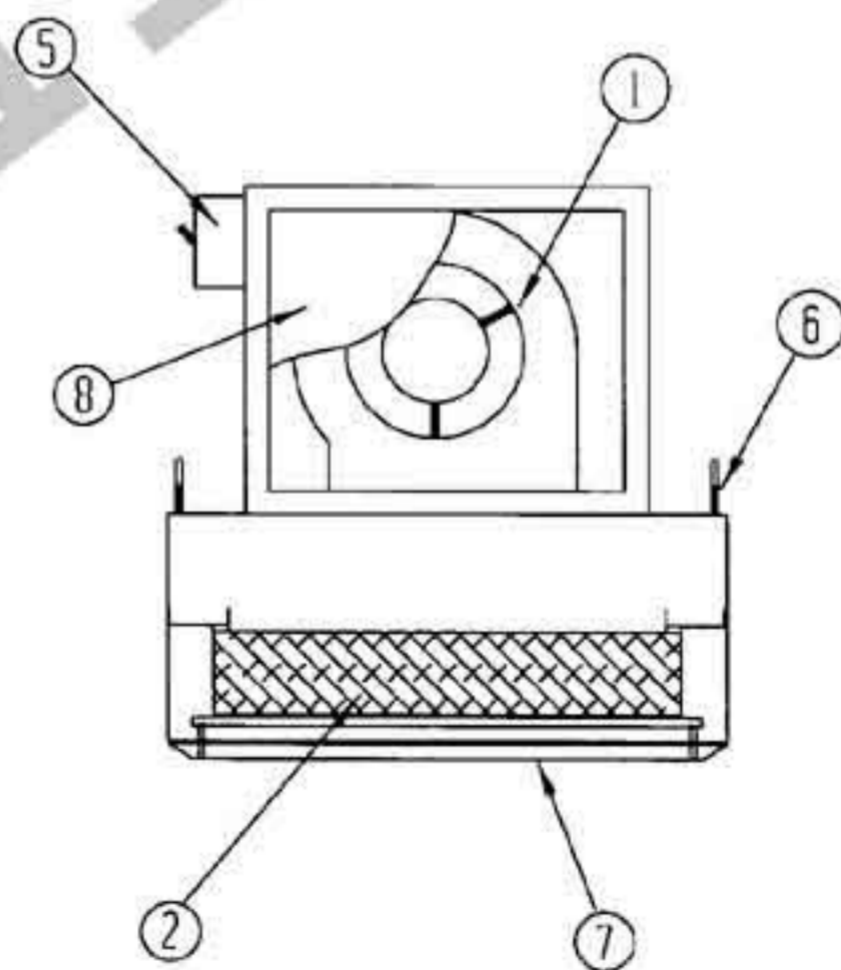
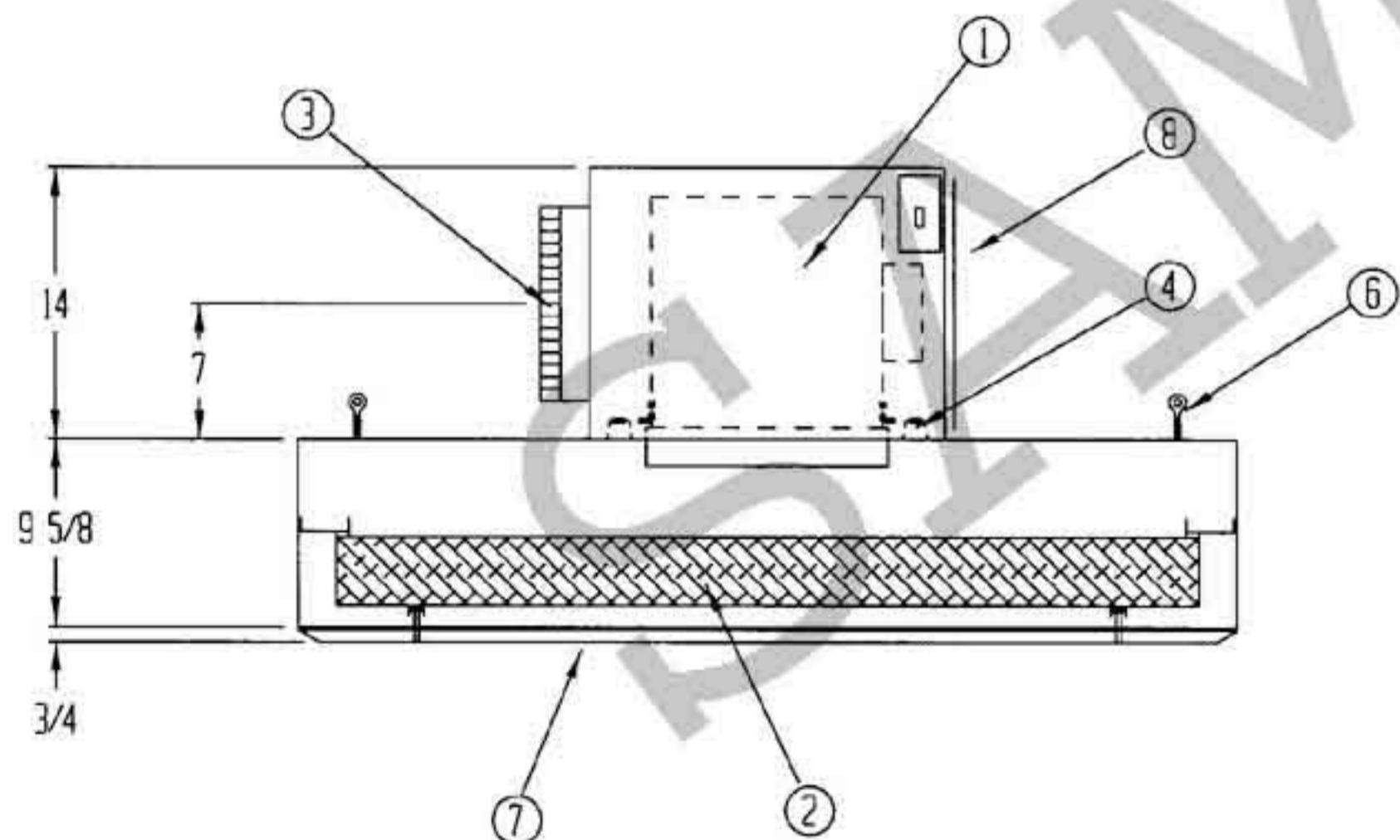
REVISIONS			
REV	DESCRIPTION	DATE	APPROVED



NOTE:

- HEPA FILTER REPLACED FROM BELOW WITHOUT DISTURBING CEILING OR HOUSING
- ELECTRICAL WIRING TO CONFORM TO LATEST NEC STANDARDS
- UNIT TO MEET ISO STANDARD 14644-1 (FEDERAL STANDARD 209E)
- UNIT OPERATING WEIGHT 85 LBS.
- ELECTRICAL REQUIREMENTS: 115 VOLT, 60 HZ., 4.6 FLA

- ① 1 EA. 9-9AT DIRECT DRIVE BLOWER WITH 1/3 H.P. MOTOR. CAPABLE OF PRODUCING 800 CFM @ .55" INITIAL HEPA FILTER STATIC PRESSURE
- ② 1 EA. 19 3/4 X 43 3/4 X 3 1/2" ANODIZED ALUMINUM FRAMED HEPA FILTER, 99.99% EFFECTIVE ON PARTICLES OF 0.3 MICRONS AND LARGER - GASKET SEAL
- ③ 1 EA. 10" DIA STARTER COLLAR
- ④ 4 EA. MOTOR/BLOWER VIBRATION ISOLATORS
- ⑤ ELECTRONIC SPEED CONTROL
- ⑥ 4 EA. EYEBOLT HANGING SUPPORTS
- ⑦ ANODIZED ALUMINUM PROTECTIVE GRILLE WITH 1/8" DIA. HOLE ON 3/16" STAGGERED CENTERS PROVIDING AN OPEN AREA OF 40%.
- ⑧ MOTOR/BLOWER ACCESS PANEL



CONSTRUCTION:

- HOUSING CONSTRUCTED OF 0.063 THK. 3003-H14 MILL ALUMINUM
- ASSEMBLED WITH INSIDE TURNED FLANGES, CAULKED AND RIVETED

DRAWN FOR		HALCO PRODUCTS CO. 100 NO. GORDON STREET ELK GROVE, IL. 60007			
STANDARD					
		FAN POWERED TERMINAL FILTER MODULE			
		MODEL FT2448-MD/AL			
DRAWN BY	OK	SIZE	JOB NO. SG688	ENG. NO. 1714163A0	REV
APPROVED BY		SCALE	N/A	DATE 10/4/06	SHEET