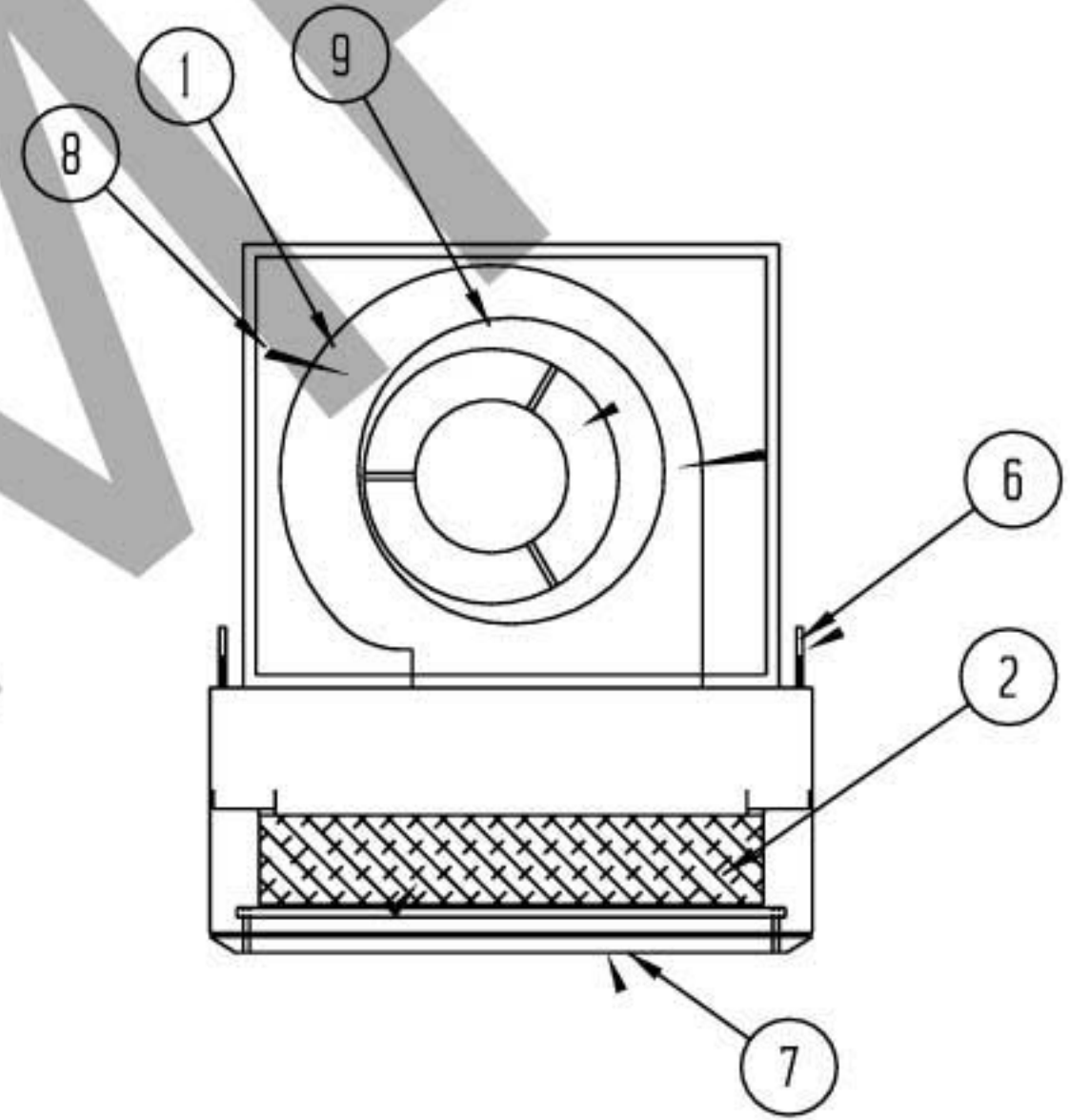
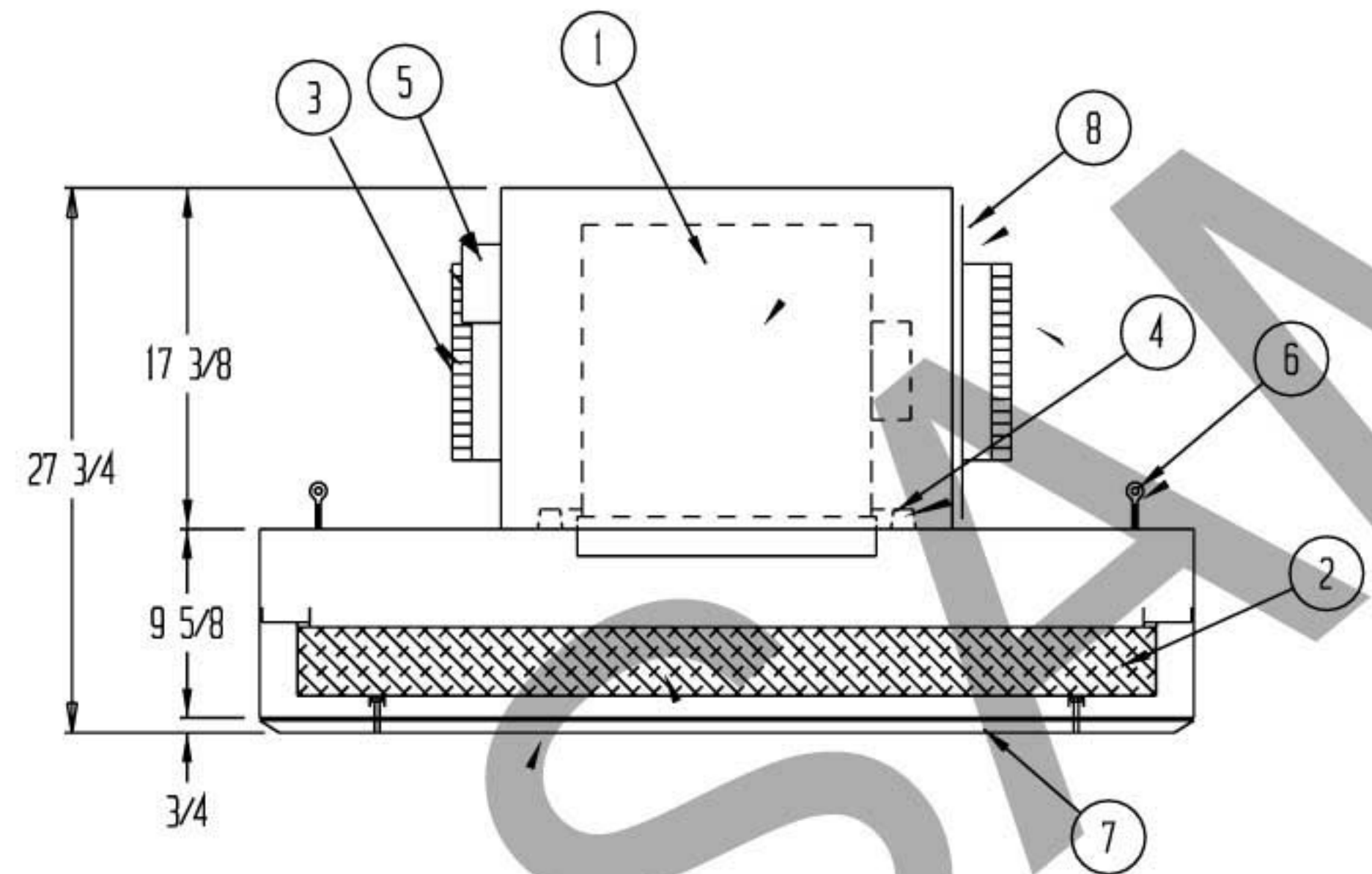
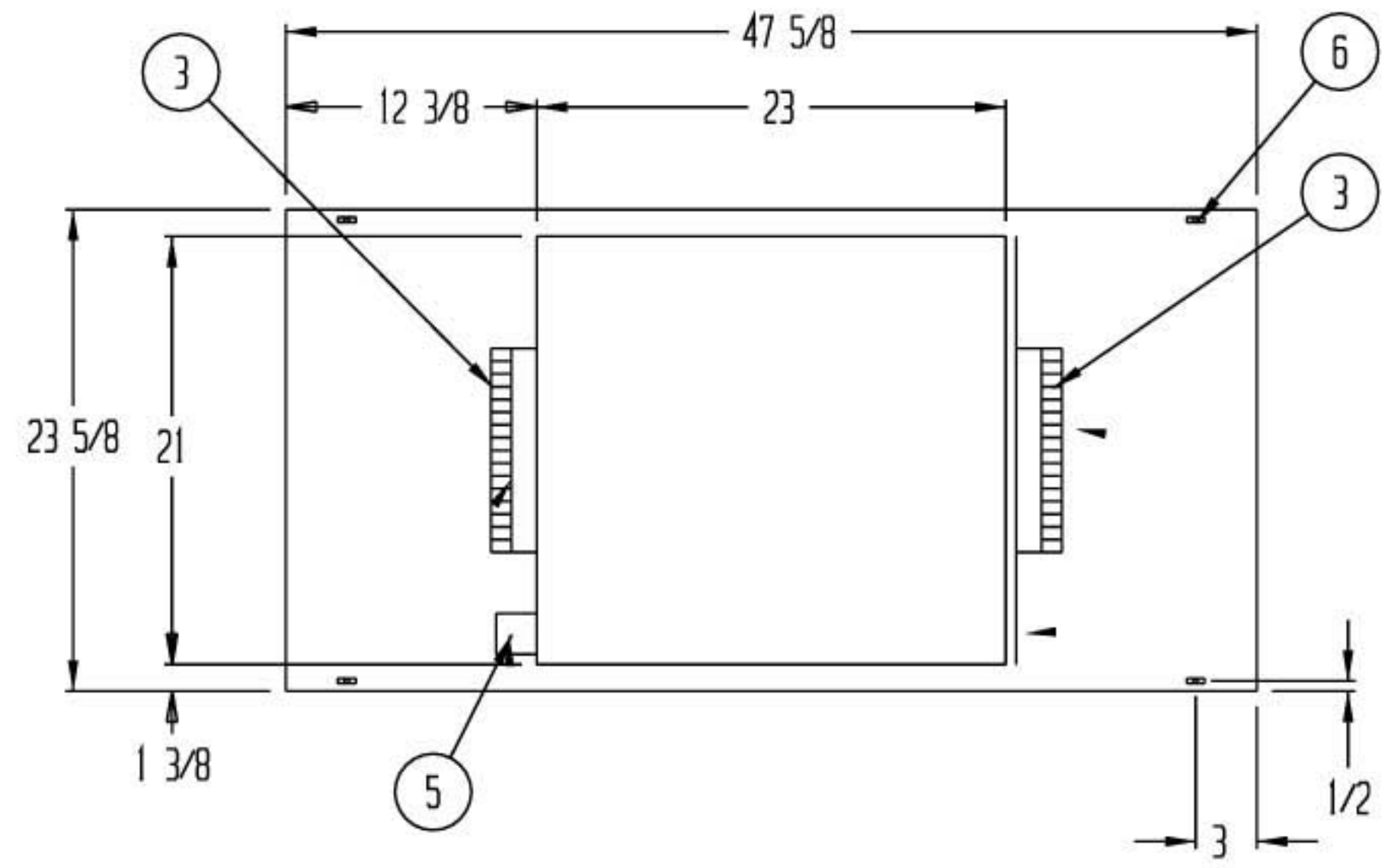


| REVISIONS | | | |
|-----------|-------------|---------|----------|
| REV | DESCRIPTION | DATE | APPROVED |
| A | AS BUILT | 4/30/07 | SM |

NOTE:

- HEPA FILTER REPLACED FROM BELOW WITHOUT DISTURBING CEILING OR HOUSING
- ELECTRICAL WIRING TO CONFORM TO LATEST NEC STANDARDS
- UNIT TO MEET ISO 14644-1 (FEDERAL STANDARD 209B AND 209E) FOR CLASS 100 DEVICES
- UNIT OPERATING WEIGHT 85 LBS.
- ELECTRICAL REQUIREMENTS: 277 VOLT, 60 HZ., 2.9 FLA
- HEPA FILTERS TO BE SHIPPED SEPARATE

- ① 1 EA. 10-10A DIRECT DRIVE BLOWER WITH 1/2 H.P. MOTOR. CAPABLE OF PRODUCING 800 CFM @ .55" INITIAL HEPA FILTER STATIC PRESSURE
- ② 1 EA. 19 3/4 X 43 3/4 X 3 1/2" ANODIZED ALUMINUM FRAMED HEPA FILTER, 99.99% EFFECTIVE ON PARTICLES OF 0.3 MICRONS AND LARGER - GASKET SEAL
- ③ 2 EA. 12" DIA STARTER COLLARS
- ④ 4 EA. MOTOR/BLOWER VIBRATION ISOLATORS
- ⑤ ELECTRONIC SPEED CONTROL
- ⑥ 4 EA. EYEBOLT HANGING SUPPORTS
- ⑦ ANODIZED ALUMINUM PROTECTIVE GRILLE WITH 1/8" DIA. HOLE ON 3/16" STAGGERED CENTERS PROVIDING AN OPEN AREA OF 40%.
- ⑧ MOTOR/BLOWER ACCESS PANEL



CONSTRUCTION:

- HOUSING CONSTRUCTED OF 14 GA. 3003-H14 MILL ALUMINUM
- ASSEMBLED WITH INSIDE TURNED FLANGES, CAULKED AND BOLTED

| | | | | | |
|-------------|-------|--|------------------------------|---------|-----------|
| DRAWN FOR | | HALCO PRODUCTS CO. 100 NO. GORDON STREET ELK GROVE, IL. 60007 | | | |
| | | TITLE FAN POWERED TERMINAL FILTER MODULE MODEL FT2448-MDD/AL/HV/SC | | | |
| DRAWN BY | DK/JY | SIZE | JOB NO. 11629- UNITS 1-60 | DNQ NO. | 1714325AA |
| APPROVED BY | | SCALE | 1 1/2"=1'-0" | DATE | 2/13/07 |
| | | | | SHEET | REV A |