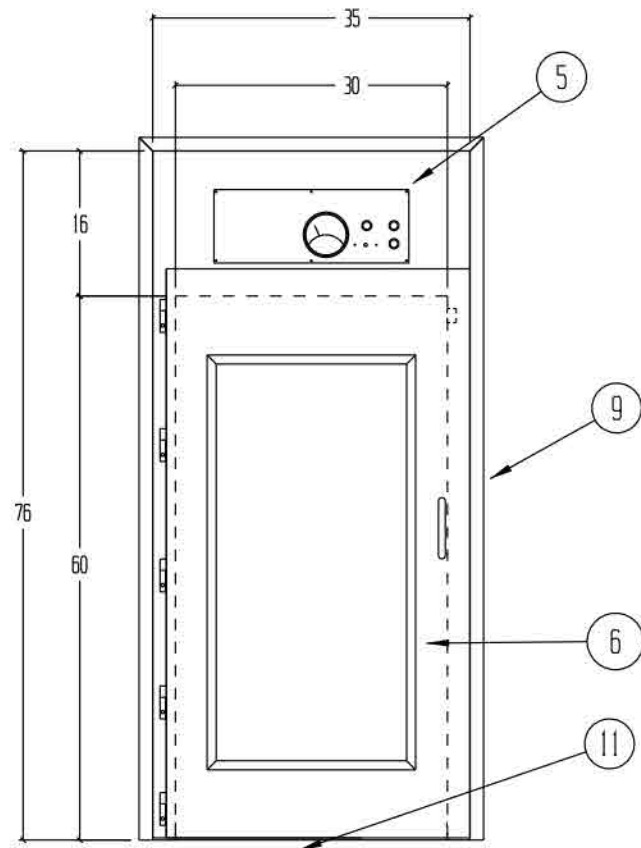
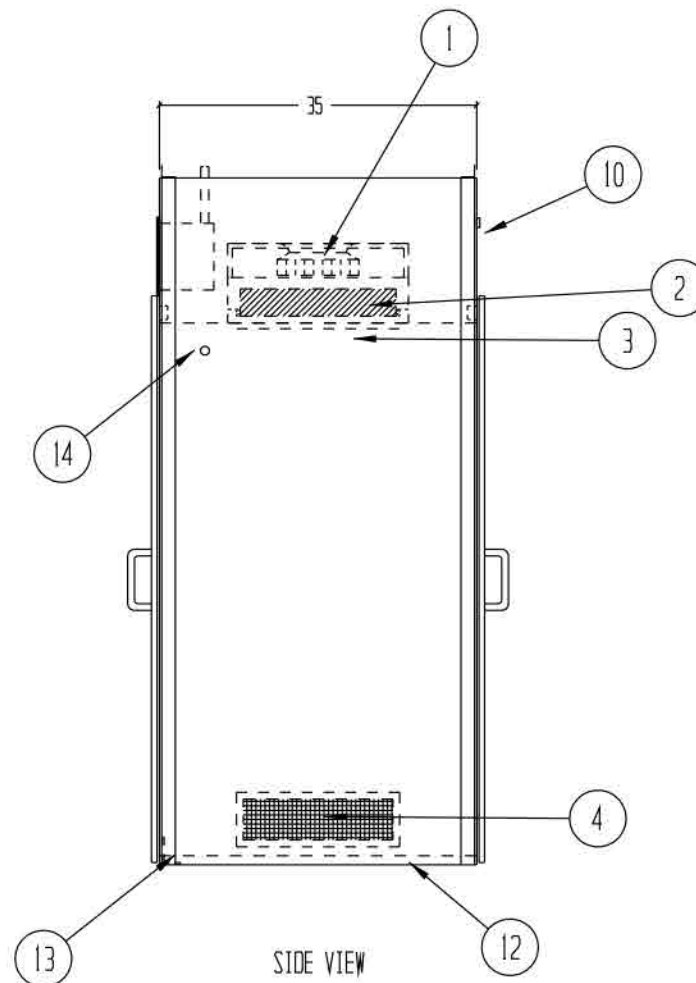


PLAN VIEW



FRONT VIEW - MATERIAL TRANSFER



SIDE VIEW

NOTES:

- UNIT FABRICATION TO BE DOUBLE WALL, CONSTRUCTION
- UNIT TO BE CONSTRUCTED OF 16 GA. 304 STAINLESS STEEL WITH #4 FINISH.
- DOORS TO BE CONSTRUCTED OF 16 GA. 304 STAINLESS STEEL WITH #4 FINISH
- UNIT TO BE SUPPLIED WITH ONE PIECE 1 1/2" X 1 1/2" X 16 GA. 304 STAINLESS STEEL MOUNTING ANGLE (TO BE FIELD INSTALLED)
- UNIT TO HAVE AN ELECTRICAL DOOR INTERLOCK SYSTEM, 120V SUPPLY W/ MAGNETIC LOCKS & DOOR SWITCHES & RED/GREEN DOOR STATUS PILOT LIGHTS BOTH SIDES, LOCKS TO FAIL OPEN W/ LOSS OF POWER
- TOP OF UNIT PROVIDED WITH (3) 1/2" KNOCKOUTS FOR POWER CONNECTION CUSTOMER CONTROL TO BMS
- CONTROL TO HAVE CONNECTION FOR DRY CONTACT FROM FIRE ALARM TO DEACTIVATE UNIT (NORMALLY CLOSED)
- CONTROL TO HAVE CONNECTION FOR DRY CONTACT FROM PARTICLE COUNTER TO KEEP DOORS LOCKED UNTIL BMS ALLOWS INTERLOCK SYSTEM TO WORK (NORMALLY OPEN)
- RECIRCULATING FAN SYSTEM TO RUN CONTINUOUSLY
- UNIT TO PROVIDED WITH 16 GA SS FLOOR W/ FLANGES TO ATTACH TO SIDE WALLS
- ROUGH OPENING TO BE 1/4" LARGER THAN OUTSIDE DIMENSION OF UNIT

REVISIONS			
REV	DESCRIPTION	DATE	APPROVED
A	CHANGES PER APPROVAL/ENGINEERING AS-BUILT, MOVE E-STOP BUTTON	12/15/12 12/23/12	SM

- ① 1 EA. R2E220 BACKWARD CURVED IMPELLER BLOWER 115 VOLT, 1 PHASE, 100 WATTS WITH ELECTRONIC SPEED CONTROL
- ② 18 X 18 X 3 1/2" GEL SEAL HEPA FILTER 99.99% EFFECTIVE ON PARTICLES OF 0.3 MICRONS IN SIZE
- ③ STAINLESS STEEL PERFORATED HEPA GRILL WITH 40% OPEN AREA
- ④ STAINLESS STEEL LOW WALL RETURN AIR GRILLS
- ⑤ CONTROL PANEL ON 217F SIDE WITH PHOTOHELIC PRESSURE GAGE, RECESSED SPEED CONTROL & RED/GREEN DOOR STATUS LIGHTS
- ⑥ STAINLESS STEEL DOORS WITH STAINLESS STEEL PIVOT HINGES, SS PULL HANDLES, EDPM GASKET, 1/4" THICK CLEAR SAFETY GLASS GLAZING, MAGNETIC DOOR LOCKS & STATUS SWITCHES
- ⑦ ELECTRONIC CONTROLS ENCLOSURE ACCESSED FROM 217F
- ⑧ 3 EACH 1/2" KNOCKOUTS FOR CUSTOMER CONNECTIONS
- ⑨ 1 1/2" X 1 1/2" X 16 GA STAINLESS STEEL FINISHING TRIM
- ⑩ DOOR STATUS LIGHT PANEL
- ⑪ STAINLESS STEEL TRIMMED DOOR SWEEP WITH RUBBER WIPER (SUPPLIED FOR FIELD INSTALLATION)
- ⑫ 16 GA SS FLOOR
- ⑬ 2" WIDE X 3" HIGH X 3/16" THICK SS ANGLE AT 217F SIDE (SHIPPED LOOSE)
- ⑭ INTERIOR FLUSH EMERGENCY STOP BUTTON

(1) UNIT SUPPLIED AS SHOWN

DRAWN FOR		HALCO PRODUCTS CO. 100 NO. GORDON STREET ELK GROVE, IL. 60007		
		TITLE CPT 3060-35 SS/EI/HC/SP		
DRAWN BY TM/DK	SIZE	JOB NO.	DWG NO. 1517450BA	REV A
APPROVED BY	SCALE	DATE 10-18-12	SHEET	