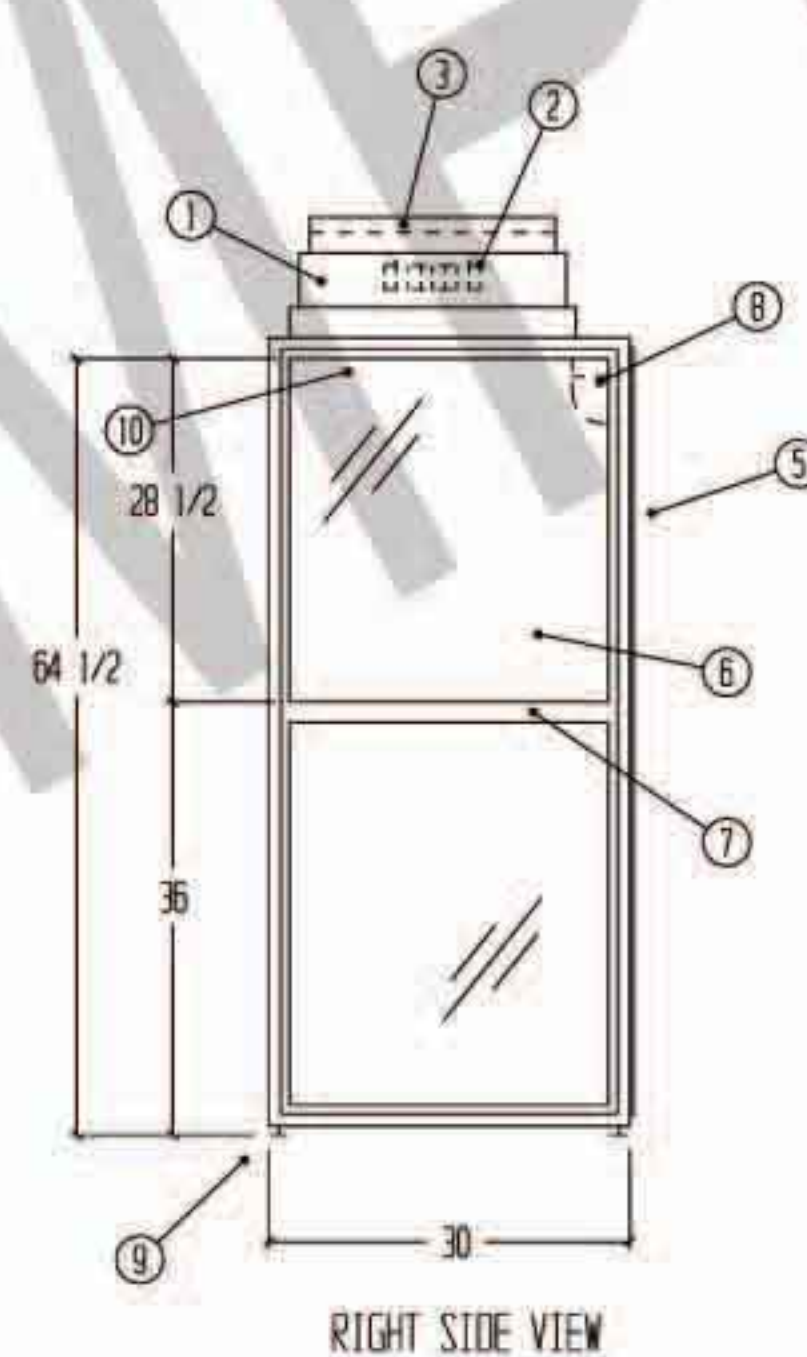
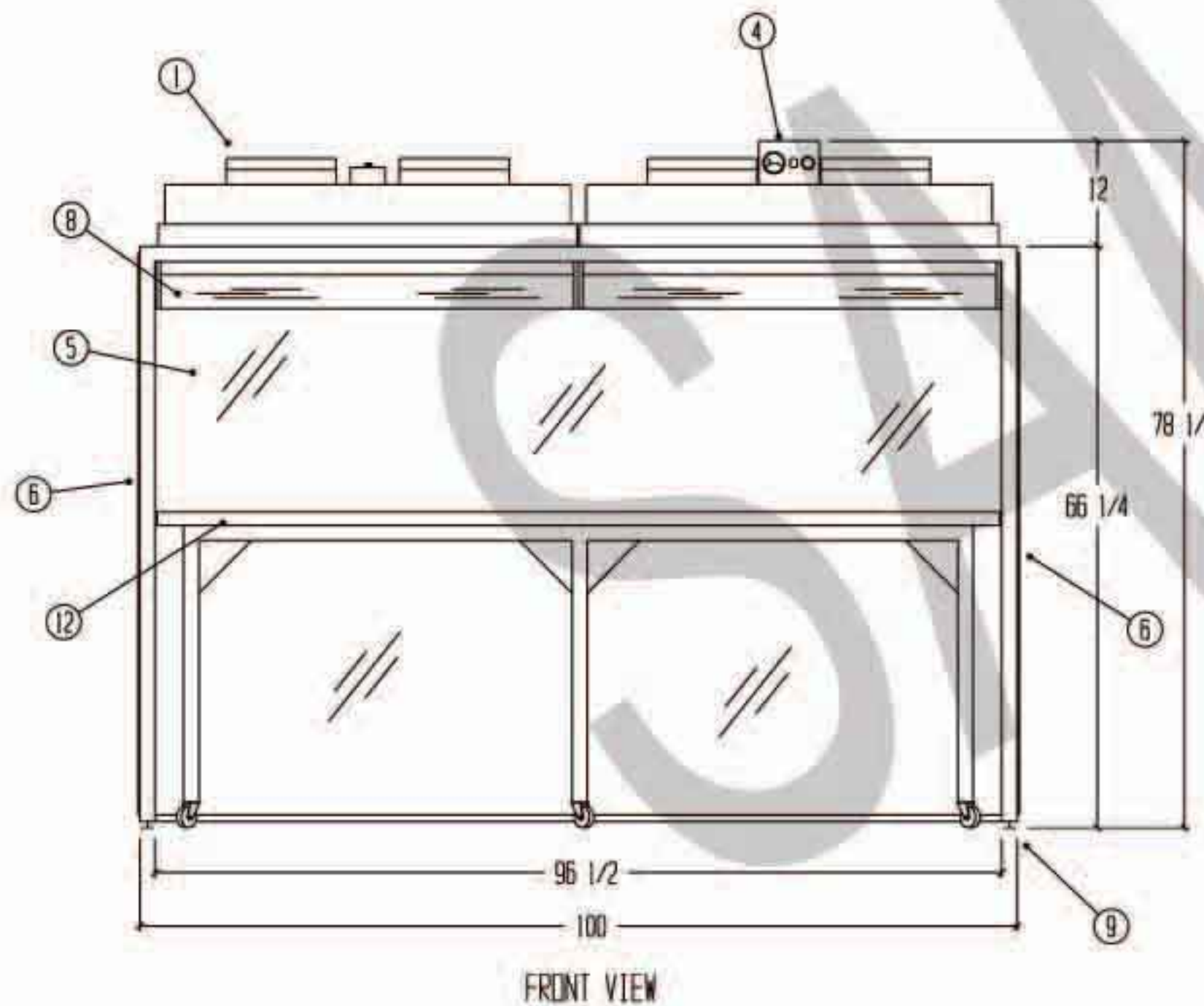
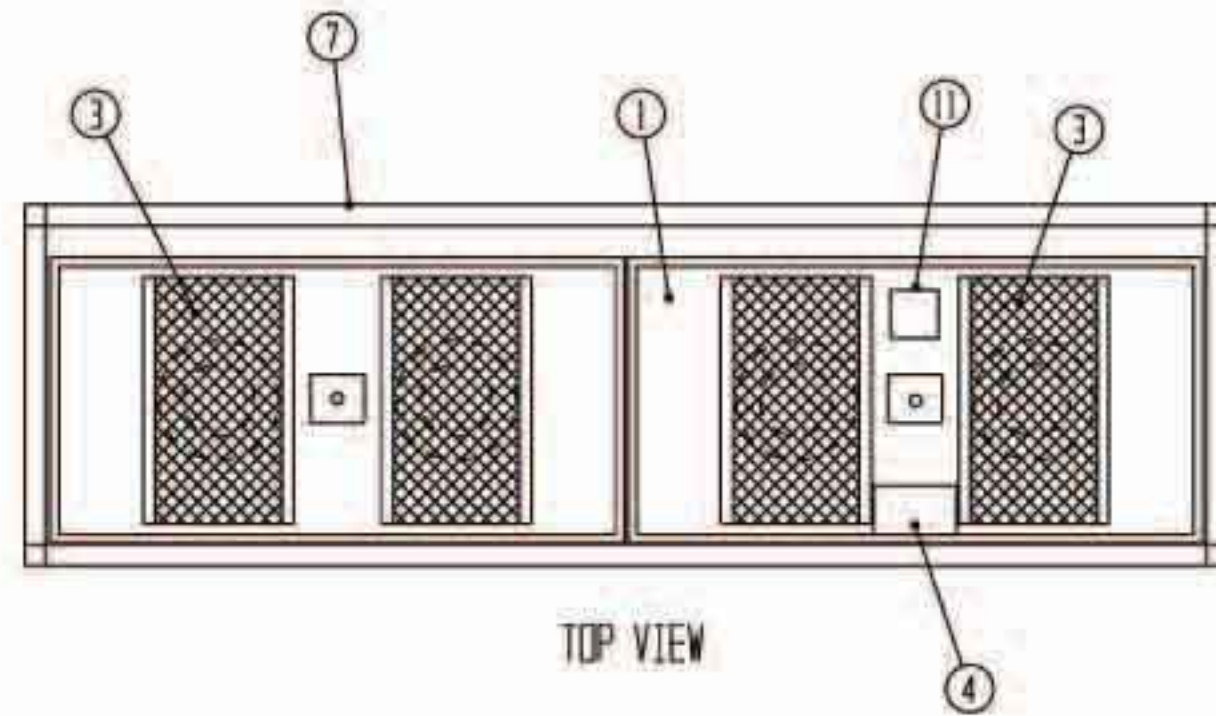


REVISIONS			
REV	DESCRIPTION	DATE	APPROVED

CONSTRUCTION:

- FTE-2448-3LD/AL/PF TO BE CONSTRUCTED OF 14 GA. ANODIZED ALUMINUM
- FRAME TO BE CONSTRUCTED OF 1 3/4 X 1 3/4 X 14 GA. TUBULAR STEEL, PAINTED WHITE EPOXY
- WORKTABLE, TOP CONSTRUCTED OF TYPE 304 STAINLESS STEEL WITH A #4 FINISH, MOUNTED ON A TUBULAR STEEL SUPPORT FRAME WITH (6) LEGS AND LOCKING SWIVEL CASTERS
- UNIT TO MEET OR EXCEED FEDERAL STANDARDS 209B & 209E FOR CLASS 100 DEVICES
- ELECTRICAL WIRING TO CONFORM LATEST NEC STANDARDS
- CUSTOMER TO PROVIDE 115 VOLT/ 60HZ/ 15A SERVICE TO UNIT



- ① 2 EA. FTE 2448-3LD/AL/PF FILTER FAN MODULES, 23 5/8 X 47 5/8 X 3 1/2" THK. HEPA FILTER, 99.99% EFFICIENT ON 0.3 MICRON SIZE PARTICLES WITH SPEED CONTROL
- ② 4 EA. MOTORIZED IMPELLARS, 100W, 115V, 60HZ, 1600 CFM @ 1" SP
- ③ 4 EA. 20 X 12 X 1" THICK, DISPOSABLE PRE-FILTERS, 35% EFFICIENT
- ④ CONTROL PANEL WITH BLOWER SWITCHES AND MINUTE GAUGE
- ⑤ REAR PANEL TO BE 1/4" THK. CLEAR POLYCARBONATE TO FLOOR
- ⑥ SIDE PANELS TO BE 1/4" THK. CLEAR POLYCARBONATE TO FLOOR
- ⑦ 1 3/4" SQUARE TUBULAR STEEL FRAME, PAINTED WHITE EPOXY
- ⑧ 2 EA. 4FT TEAR DROP LIGHT FIXTURES WITH 1 EA. F40T12CW TUBE
- ⑨ ADJUSTABLE LEG LEVELERS
- ⑩ WHITE EXPANDED PROTECTIVE GRILLES
- ⑪ ELECTRICAL JUNCTION BOXES FOR CUSTOMER CONNECTION
- ⑫ SEPARATE WORK TABLE ON PAINTED STEEL FRAME WITH STAINLESS STEEL TOP TO SUPPORT A 400 LB. LOAD

(1) UNIT REQUIRED, AS SHOWN

DRAWN FOR		TITLE		
		CAT8302 SFE/ECON - CLASS 100		
DRAWN BY	LVB	SIZE	JOB NO. 10723	ONG NO. 191261880
APPROVED BY		SCALE	1/2" = 1' - 0"	DATE 7-30-03
				SHEET