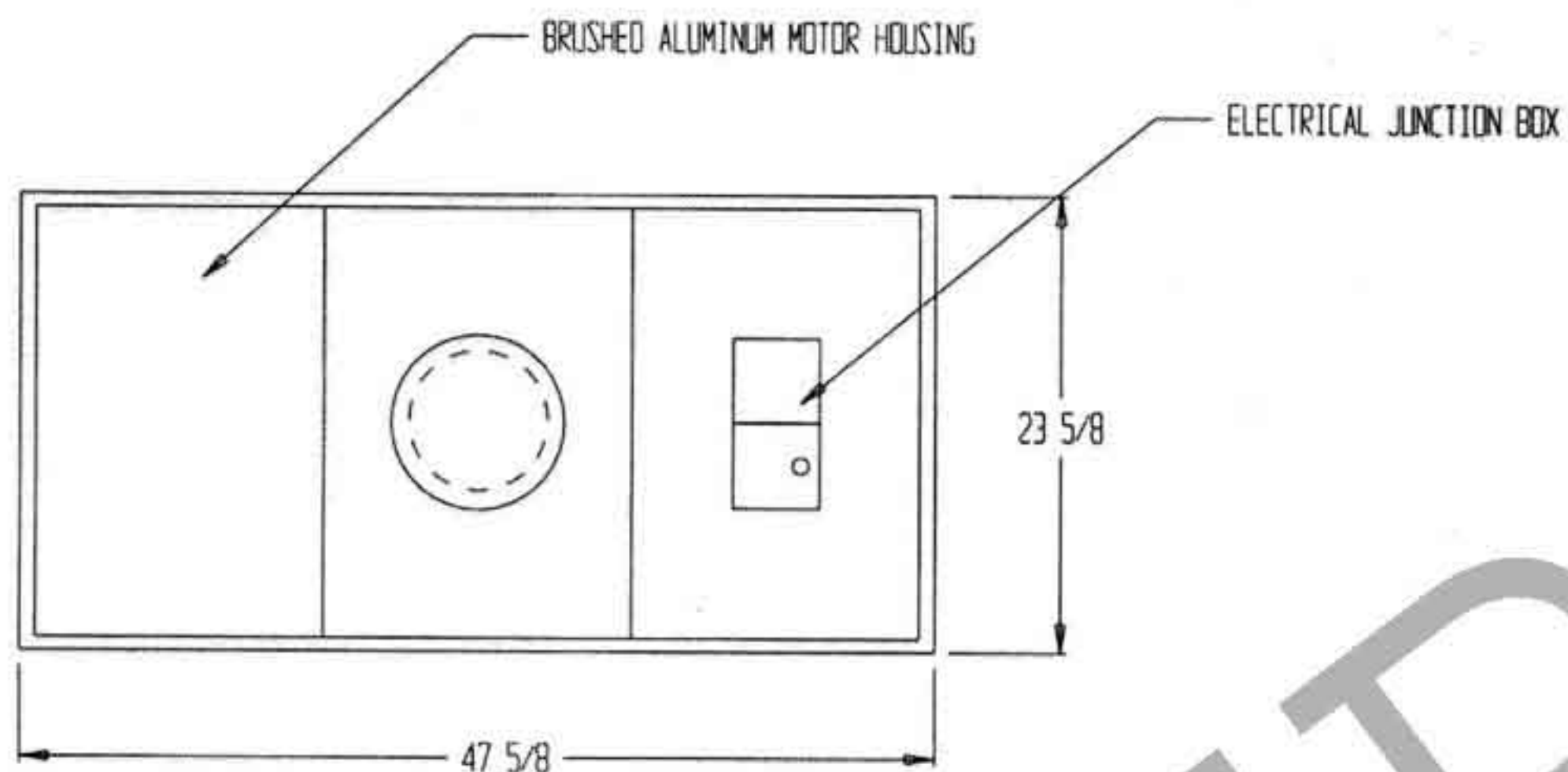
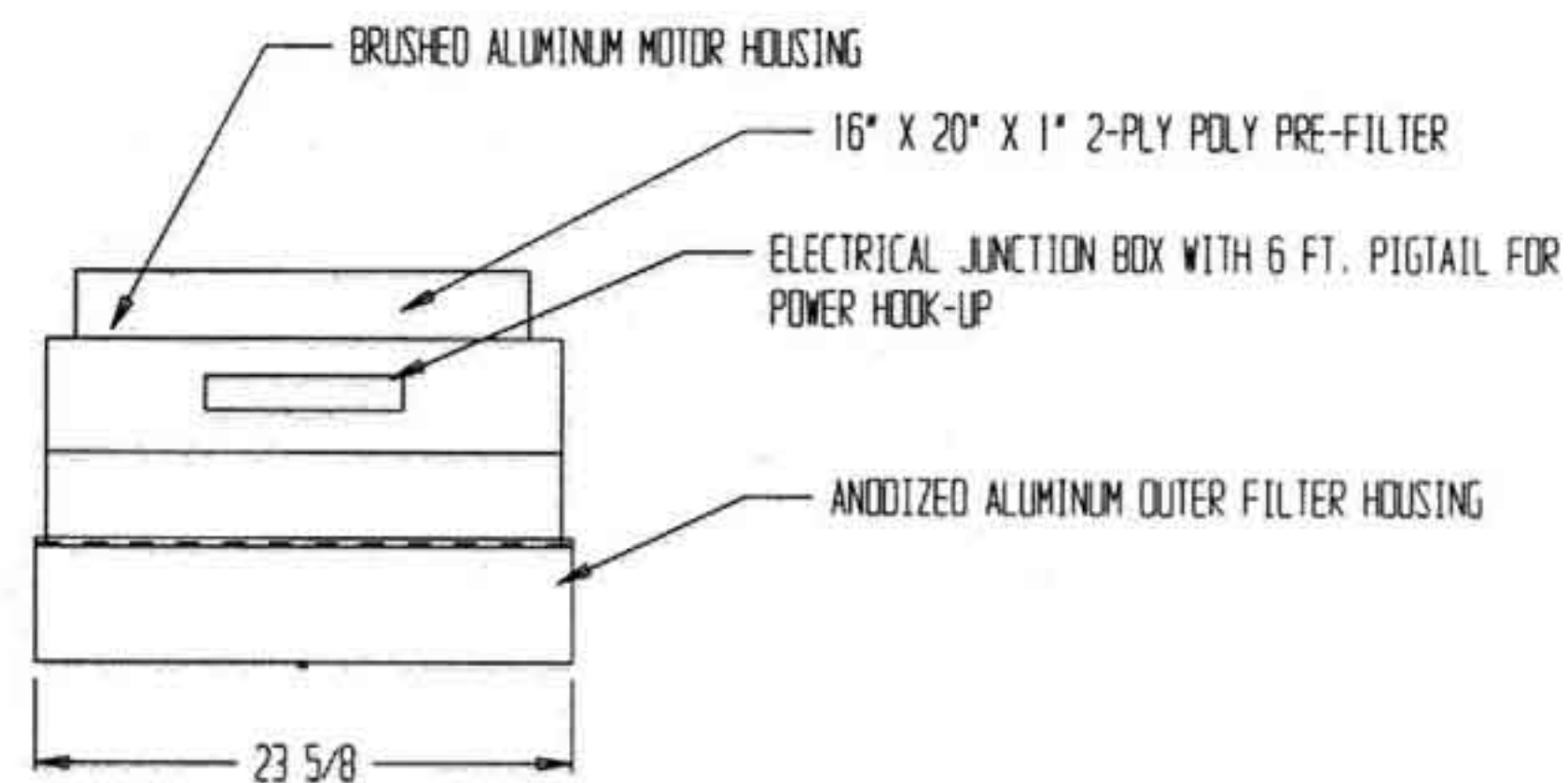
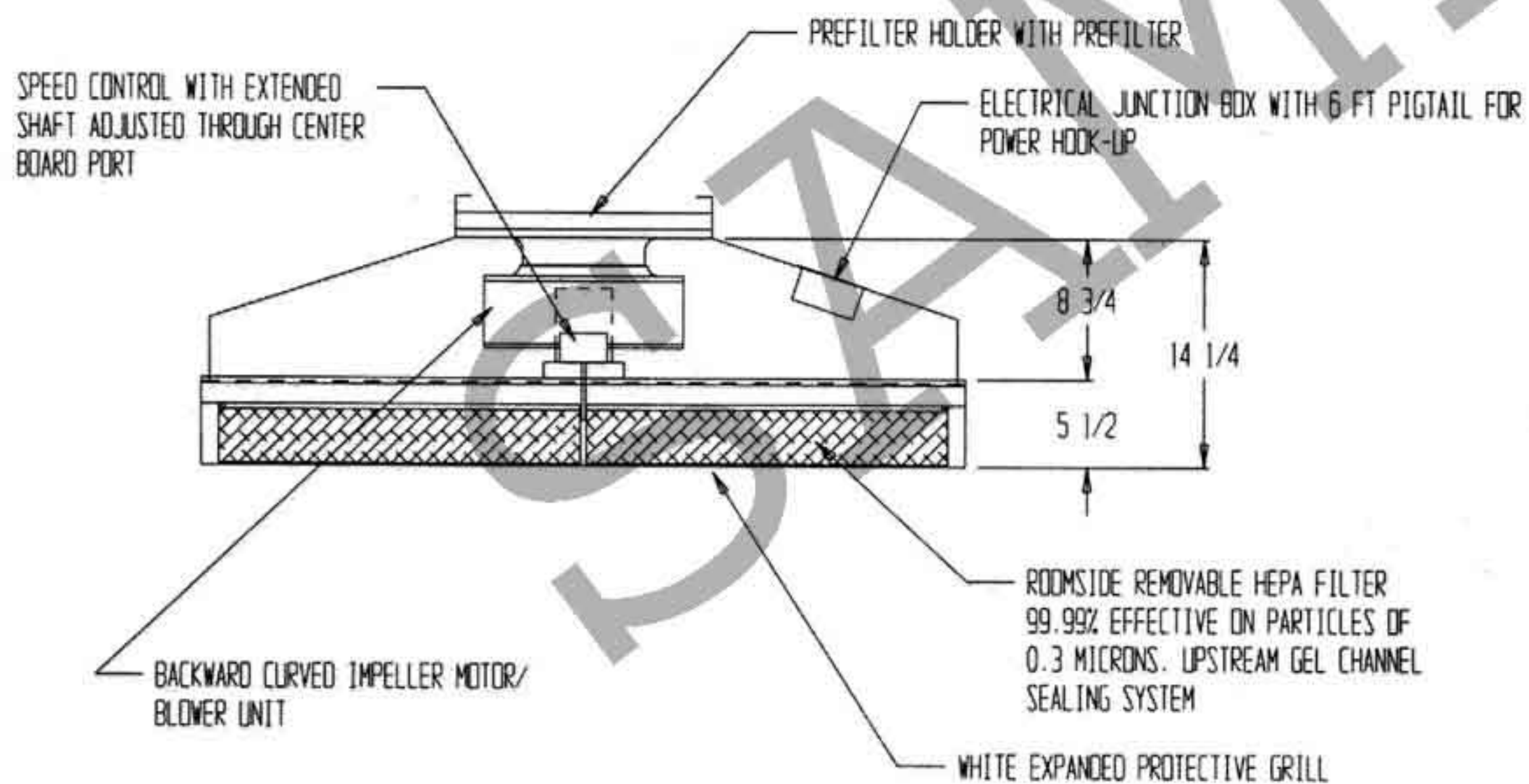


REVISIONS			
REV	DESCRIPTION	DATE	APP



NOTES:

- ELECTRICAL TO MEET LATEST NEC CODES
- UNIT TO BE CAPABLE OF PRODUCING 120 FPM (MAX.) OF AIR @ 6" FROM FILTER FACE



DRAWN FOR		HALCO PRODUCTS CO. 100 NO. GORDON STREET ELK GROVE, IL. 6000		
		TITLE MODEL# AT2000-3 41100		
DRAWN BY	DK/JY	SIZE	JOB NO. SG881	ENG NO. 171523180
APPROVED BY		SCALE 1"=1'	DATE 02/26/03	SHEET