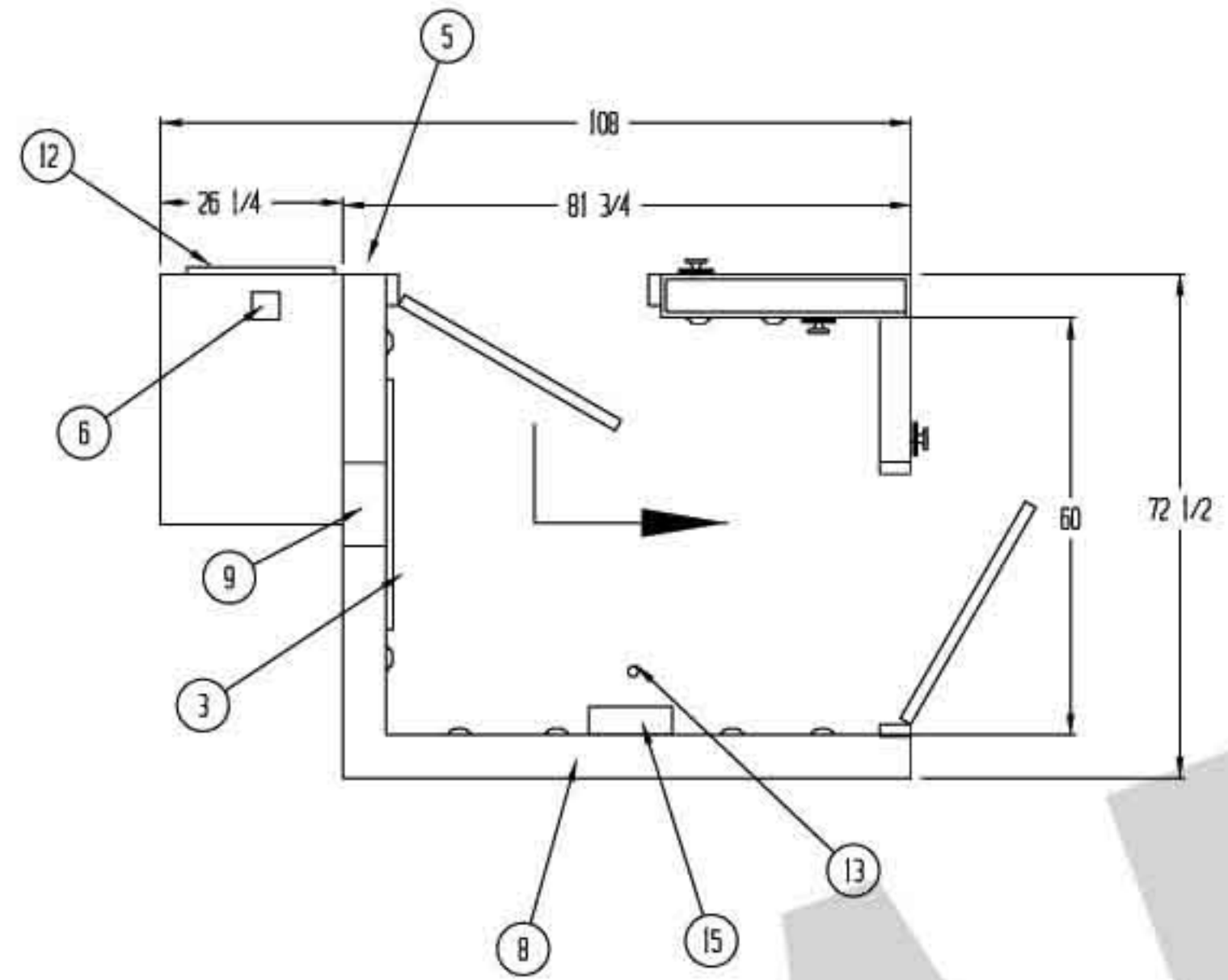
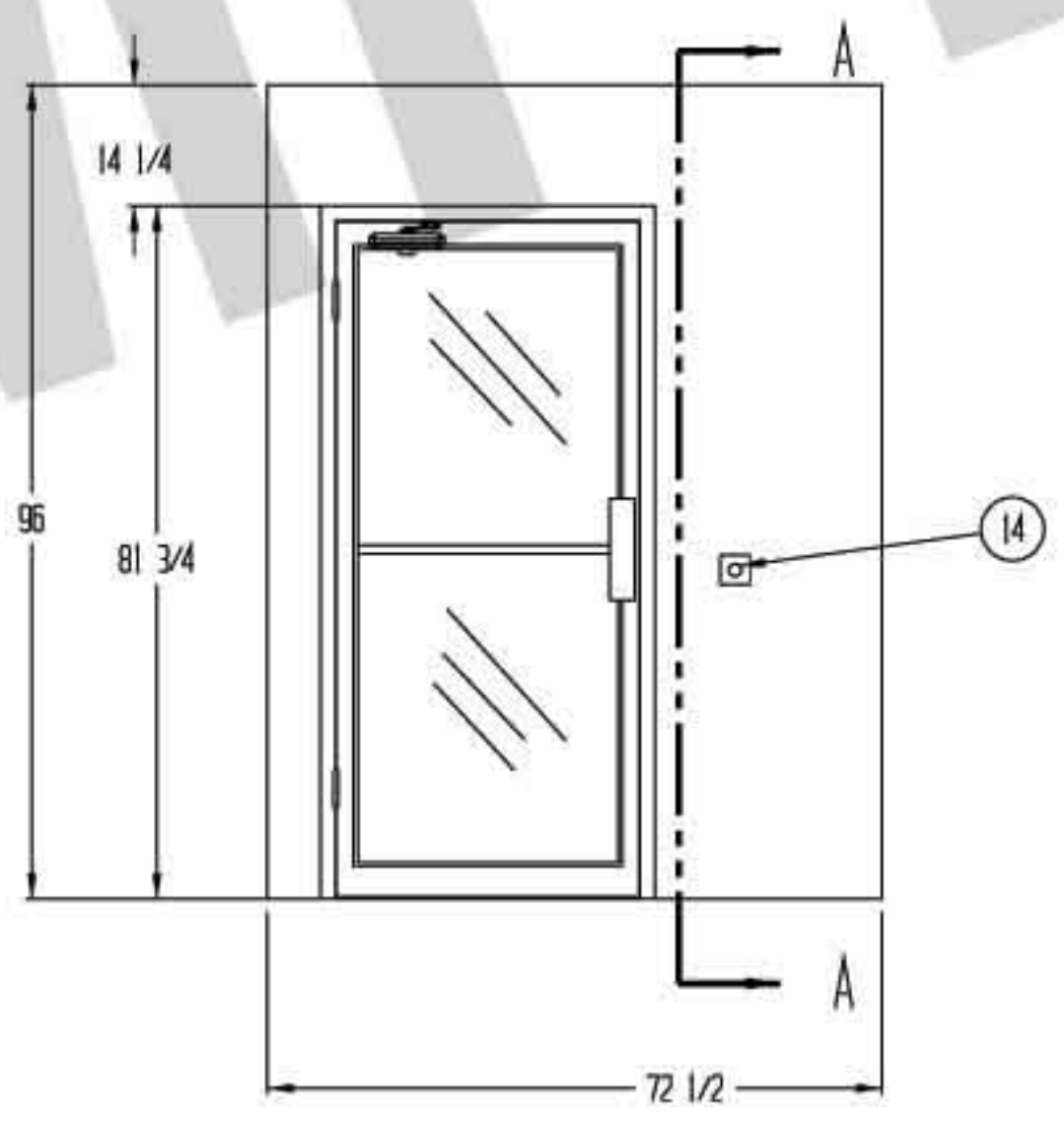
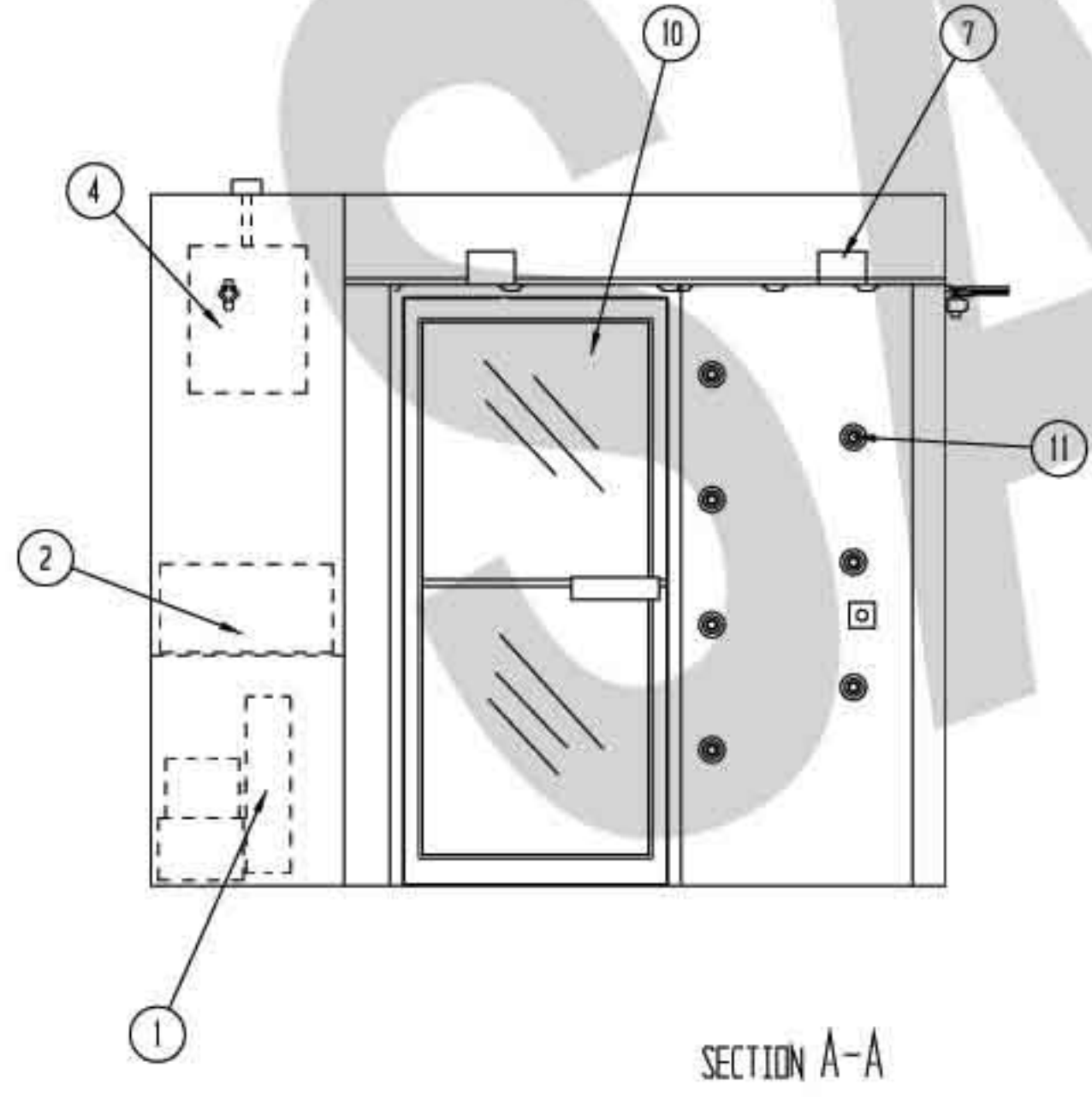


REVISIONS			
REV	DESCRIPTION	DATE	APPROVED



- NOTES:
- AIR SHOWER TO BE CONSTRUCTED OF 16 GA. GALVANNEALED STEEL
 - INTERIOR & EXTERIOR SURFACES TO BE WHITE EPOXY PAINTED
 - AIR SHOWER TO MEET LATEST NEC CODES
 - AIR SHOWER TO MEET FEDERAL STANDARD 209B AND 209E
 - UNIT SHIPPED IN (4) SECTIONS

- ① 1 EA. DIRECT DRIVE MOTOR/BLOWER 5 HP. 460 VOLT/3 PHASE/ 60 CYCLE/8.0 FLA EACH CAPABLE OF PRODUCING 1820 CFM AT 4" SP.
- ② 1 EA. 24" X 24" X 11 1/2" 95% ASHRAE HIGH CAPACITY FILTERS
- ③ 1 EA. 36" X 12" X 1" & 1 ea. 12 X 30 X 1 ANODIZED ALUMINUM PRE-FILTER GRILLS WITH DISPOSABLE PRE-FILTERS
- ④ ELECTRONIC CONTROLS ENCLOSURE
- ⑤ CONTROL PANEL WITH MICROPROCESSOR CONTROL PANEL & EMERGENCY STOP SWITCH
- ⑥ ELECTRICAL JUNCTION BOXES FOR CUSTOMER CONNECTION
- ⑦ 2 EA. FLUORESCENT LIGHT FIXTURES CAPABLE OF PRODUCING 80 FC.
- ⑧ SUPPLY AIR DUCTS
- ⑨ RETURN AIR DUCTS
- ⑩ ANODIZED ALUMINUM DOORS AND FRAMES WITH CLEAR ACRYLIC GLAZING, 36" X 80" 1 3/4"
- ⑪ 40 HIGH VELOCITY ADJUSTABLE AIR NOZZLES
- ⑫ HINGED SERVICES ACCESS PANELS
- ⑬ SEALED SLEEVE FOR SPRINKLER, PIPE & HEAD SHIPPED LOOSE
- ⑭ (3) EMERGENCY STOP BUTTONS (1) INSIDE (2) OUTSIDE NEAR DOORS
- ⑮ ACTIVE INFRARED PRESENCE SENSOR



DRAWN FOR		HALCO PRODUCTS CO. 100 N.D. GORDON STREET ELK GROVE, IL. 60007			
		TITLE AIR SHOWER MODEL # AS56-7 L/SM/MP/NF/ST/ADA			
DRAWN BY	TM	SIZE	JOB NO.	QTY. NO.	101590080
APPROVED BY		SCALE	3/4" = 1'-0"	DATE	10-26-09
					SHEET