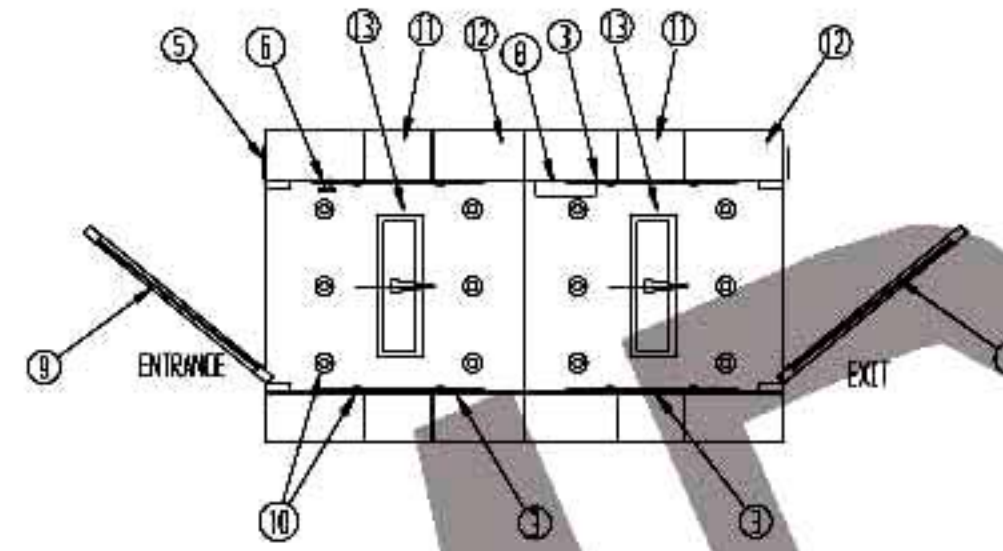
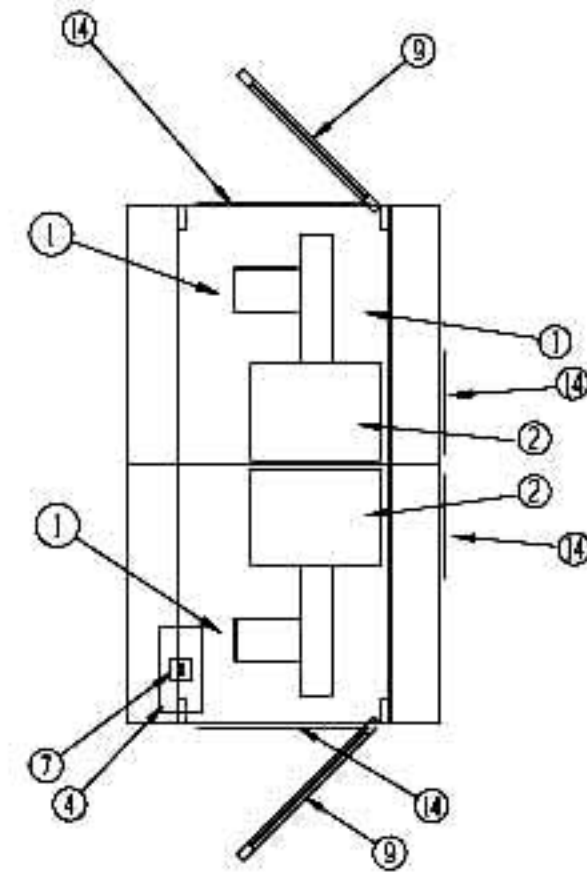
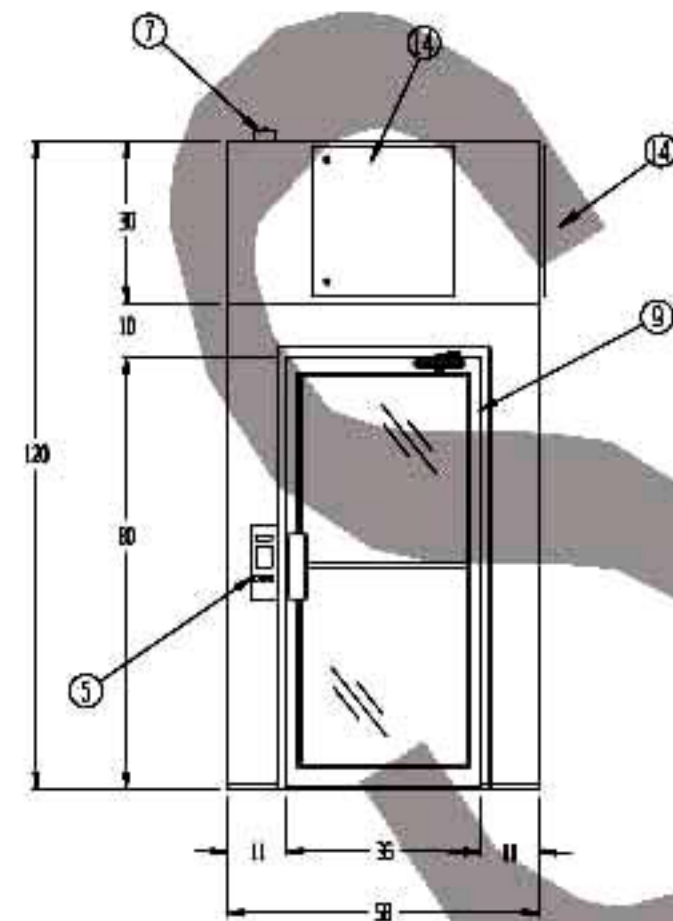


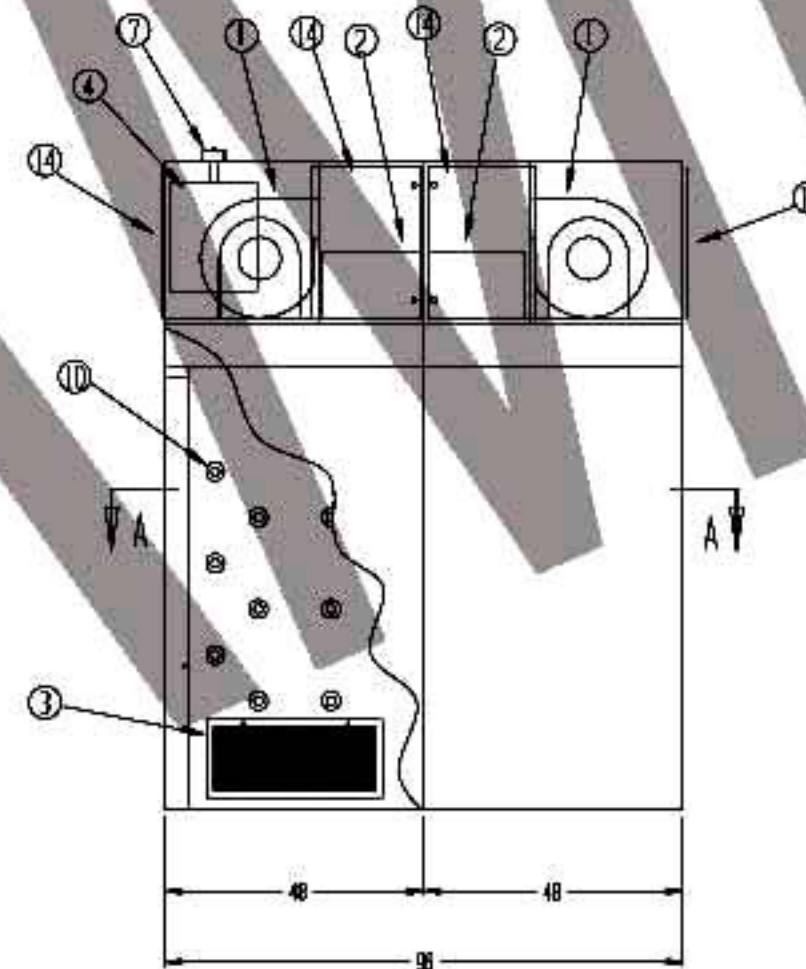
REVISIONS			
REV	DESCRIPTION	DATE	APPROVED
0	CHANGES PER APPROVAL AS-BUILT	9/24/09 10/27/09	SW



SECTION A-A



ENTRANCE SIDE ELEVATION



SIDE ELEVATION

**IMPORTANT
CUSTOMER TO CONFIRM:**

- DOOR SIZES AND DIRECTION OF SWING
- ENTRANCE AND EXIT SIDES AND DIRECTION OF OPERATION
- SERVICE ACCESS PANEL LOCATION AND SWING
- AVAILABILITY OF ELECTRICAL SERVICE REQUIRED
- ELECTRICAL SERVICE CONNECTION POINT
- OVERALL SIZE OF UNIT OR SECTIONS
- CLEAR DOOR OPENINGS OF NO LESS THAN 60" WIDE FROM UNLOADING SITE TO INSTALLATION SITE

NOTES:

- CONSTRUCTION TO BE 16 GA TYPE 304 STAINLESS STEEL, #4 POLISH FINISH
- BOTTOM WALL CAPS TO BE TYPE 304 STAINLESS STEEL WITH A #4 FINISH
- ELECTRICAL WIRING TO CONFORM TO LATEST NEC STANDARDS
- CUSTOMER TO SUPPLY A SINGLE SOURCE 480V/3PH/60HZ ELECTRICAL SERVICE (15.3 FLA)
- UNIT TO MEET ISO STANDARD 14644-1 (FED. STD. 209E)
- UNIT TO BE SHIPPED IN FOUR PIECES (2 BASE SECTIONS AND 2 BLOWER/FILTER SECTIONS)
- CUSTOMER TO VERIFY CLEAR DOOR OPENINGS OF NO LESS THAN 60" WIDE FROM UNLOADING SITE TO INSTALLATION SITE
- NO FLOOR

- ① 2 EA. DIRECT DRIVE MOTOR/BLOWERS 5 H.P. (6.1 FLA EACH) CAPABLE OF PRODUCING 4000 CFM AT 4" S.P.
- ② 2 EA. 18 X 24 X 11 1/2 HEPA FILTERS 99.99% EFFICIENT ON PARTICLES OF 0.3 MICRONS AND LARGER
- ③ 4 EA. 30 X 12 X 1" SS PRE-FILTER GRILLES WITH 35% EFFICIENT DISPOSABLE PRE-FILTERS
- ④ ELECTRONIC CONTROLS ENCLOSURE
- ⑤ MICROPROCESSOR CONTROL PANEL WITH LCD DISPLAY, MEMBRANE TYPE KEYPAD, ALARMBLE ALARM, LIGHT SWITCH, AND SYSTEM RESET BUTTON
- ⑥ EMERGENCY STOP BUTTON
- ⑦ ELECTRICAL JUNCTION BOX FOR CUSTOMER CONNECTION WITH NON-FUSED DISCONNECT
- ⑧ ACTIVE INFRARED PRESENCE SENSOR
- ⑨ STAINLESS STEEL DOOR AND FRAME WITH PLEXIGLASS GLAZING
- ⑩ 60 EA. HIGH VELOCITY ADJUSTABLE AIR NOZZLES
- ⑪ RETURN AIR DUCTS
- ⑫ SUPPLY AIR DUCTS
- ⑬ 2 EA. FLUORESCENT LIGHT FIXTURES, CAPABLE OF PRODUCING 60 FC AT 40" AFF
- ⑭ HINGED SERVICE PANELS

DRAWN FOR		HALCO PRODUCTS CO. 100 NO. GORDON STREET ELK GROVE, IL. 60007			
		TITLE AS487-MP/NF/SS			
DRAWN BY	TM/DK	SIZE	JOB NO.	ENG. NO.	REV
APPROVED BY		SCALE	1/4"=1'-0"	DATE	9-21-09
				1015835BD	0
				SHEET	