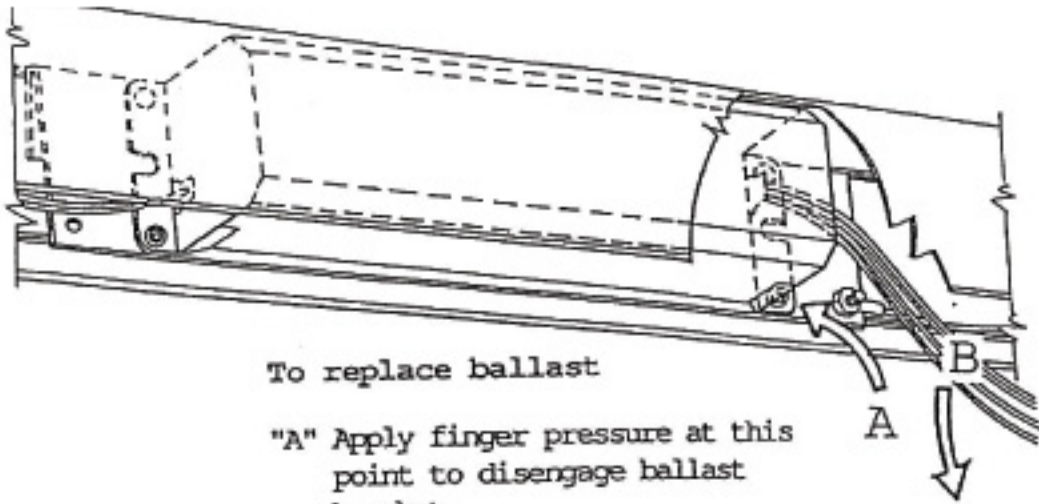


## INSTALLATION INFORMATION

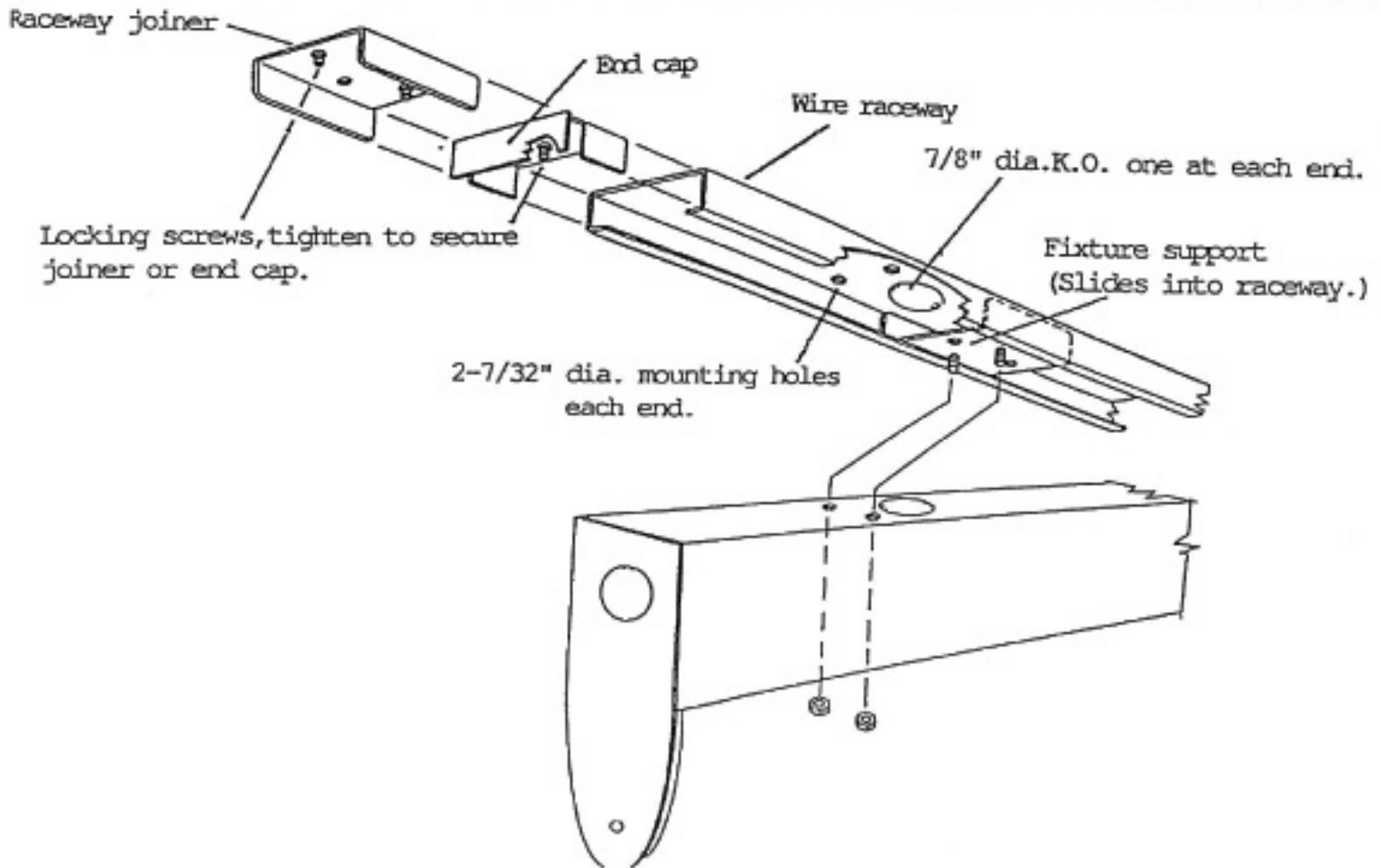


To replace ballast

"A" Apply finger pressure at this point to disengage ballast bracket.

"B" At the same time grasp ballast wires and pull downward to remove ballast from channel.

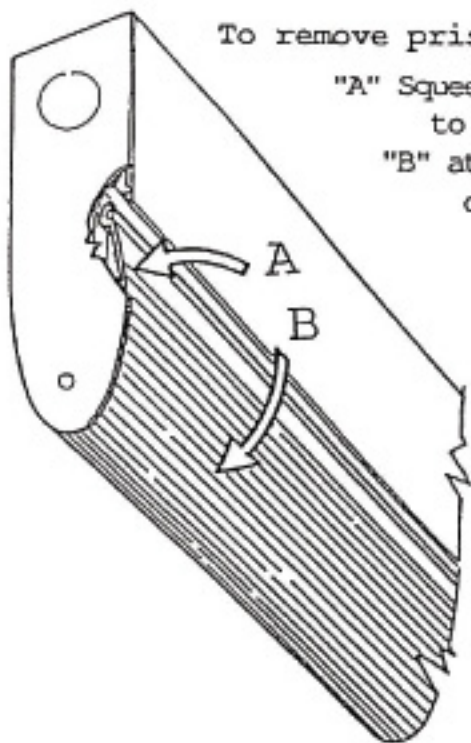
*Optional raceway details shown below.*



## • INSTALLATION INFORMATION

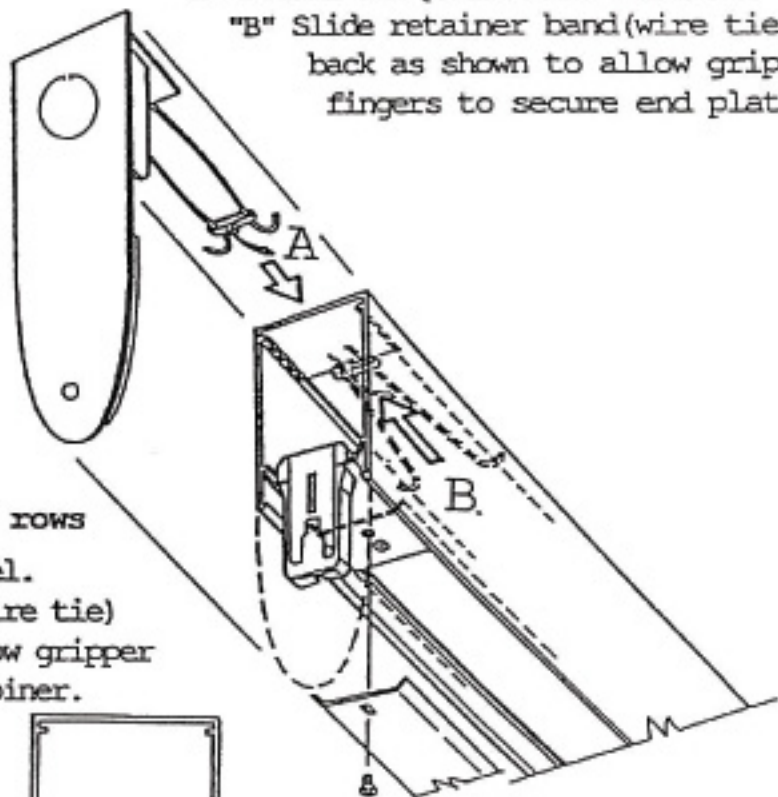
To remove prismatic enclosure

- "A" Squeeze lens inward at one end to disengage from channel.
- "B" at the same time roll lens over and downward.



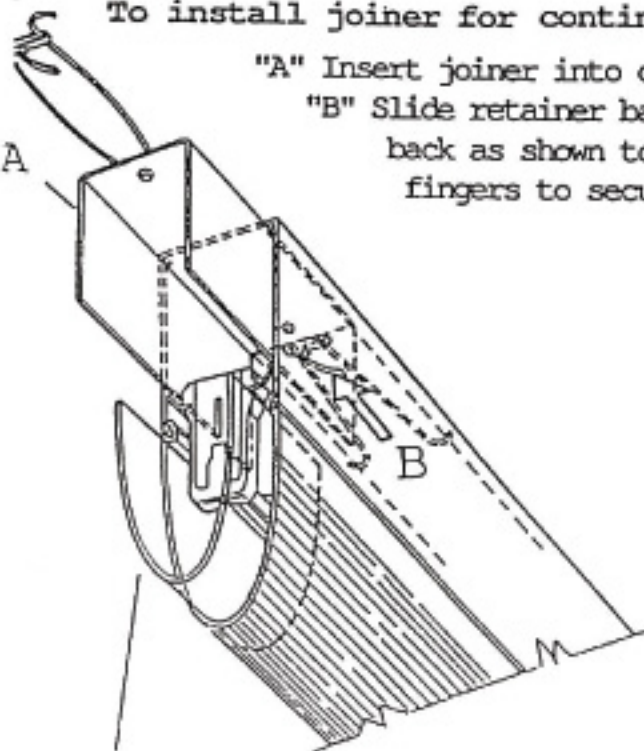
To install end plate

- "A" Insert end plate into channel.
- "B" Slide retainer band (wire tie) back as shown to allow gripper fingers to secure end plate.



To install joiner for continuous rows

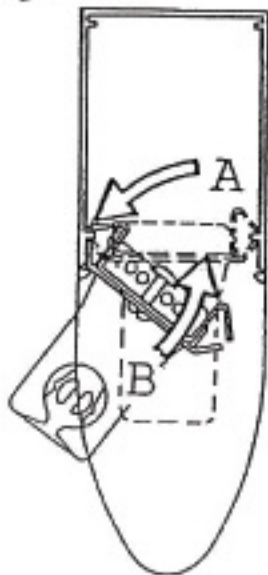
- "A" Insert joiner into channel.
- "B" Slide retainer band (wire tie) back as shown to allow gripper fingers to secure joiner.



Continuous row lens joiner

To replace lampholder

- "A" Engage one side of socket bridge with rib on inside of channel.
- "B" Swing opposite side up and press up to snap into place.



See back side for additional information.