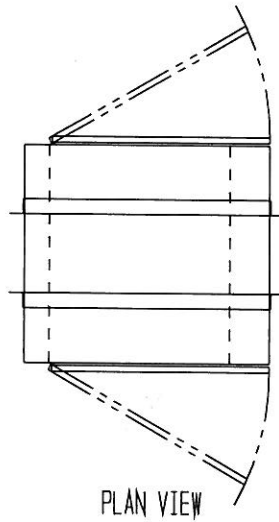
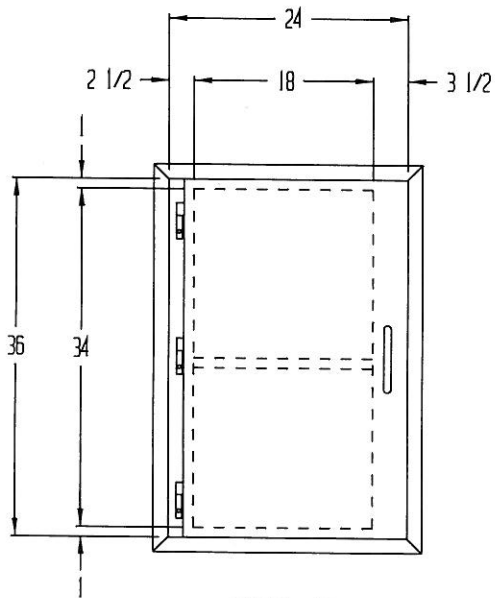


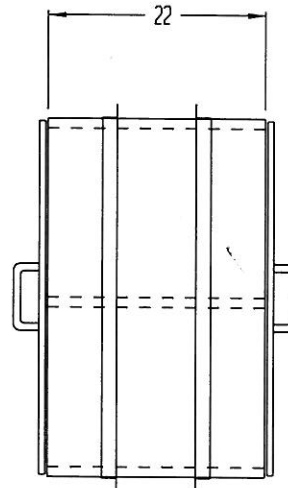
REVISIONS			
REV	DESCRIPTION	DATE	APPROVED



PLAN VIEW



FRONT VIEW



SIDE VIEW

1 UNIT AS SHOWN

NOTES:

- UNIT FABRICATION TO BE DOUBLE WALL, CONSTRUCTION
- UNIT TO BE CONSTRUCTED OF 16 & 20 GA. 304 STAINLESS STEEL WITH #4 FINISH
- SOLID DOORS TO BE CONSTRUCTED OF 16 & 20 GA. 304 STAINLESS STEEL WITH BLACK POWDER COATED PIN HINGES, EDPM GASKET AND STAINLESS STEEL "D" HANDLE
- UNIT TO BE SUPPLIED WITH 1 1/2" X 1 1/2" X 16 GA. 304 STAINLESS STEEL MOUNTING ANGLE (TO BE FIELD INSTALLED)
- UNIT TO HAVE A MECHANICAL DOOR INTERLOCK SYSTEM
- UNIT PROVIDED W/ (1) SOLID SS SHELF & ADJUSTABLE SS TRACK & CLIPS
- ROUGH OPENING TO BE 1/4" LARGER THAN OUTSIDE DIMENSIONS OF UNIT
- 2EA SUPPORT GUSSETS 8" X 8" PROVIDED

DRAWN FOR		HALCO PRODUCTS CO. 100 NO. GORDON STREET ELK GROVE, IL. 60007				
						TITLE
DRAWN BY	TM	SIZE	JOB NO. -----	DRG NO.	1517310A0	REV
APPROVED BY		SCALE	NONE	DATE	7-27-12	SHEET