

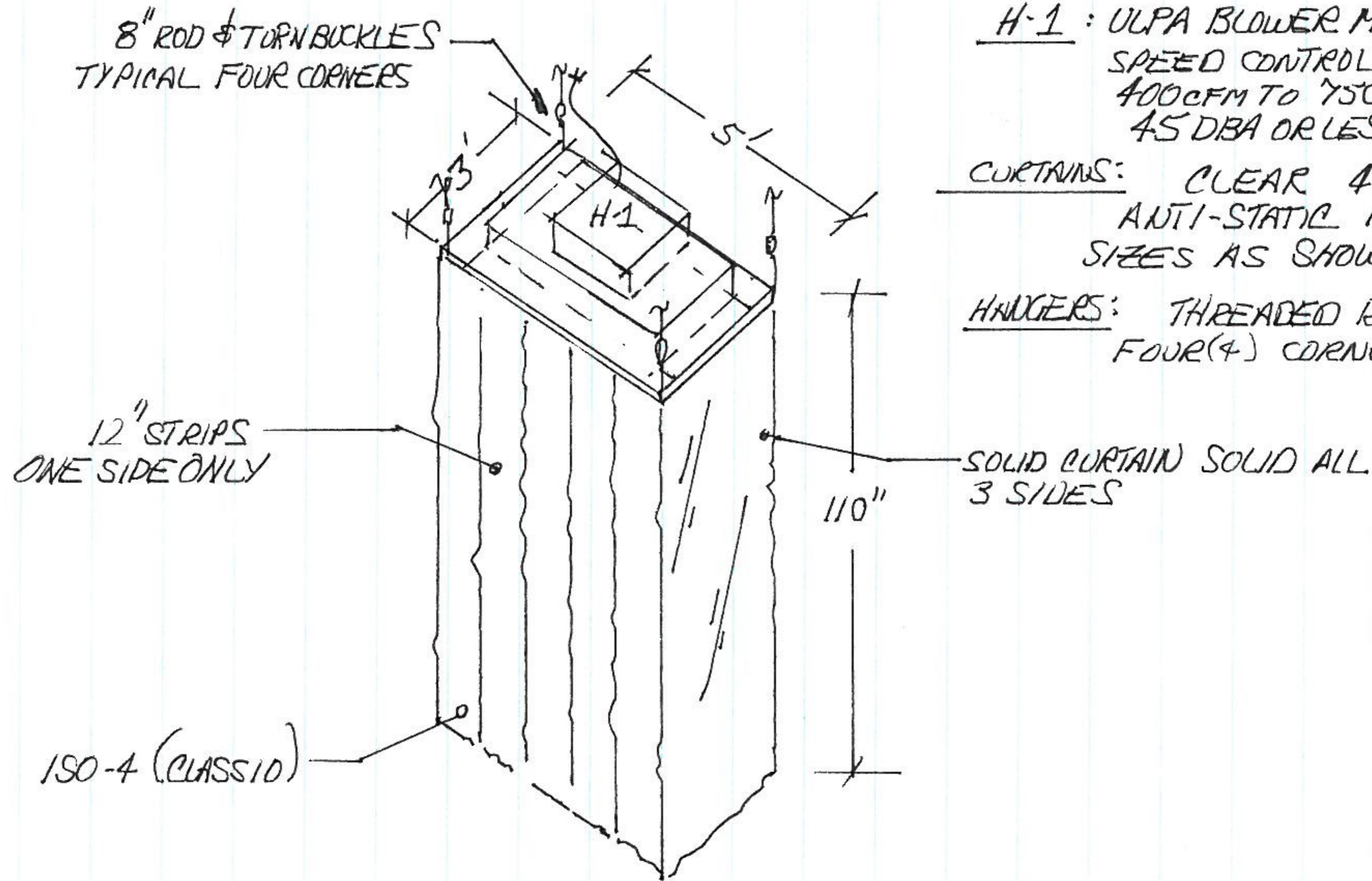
# BILL OF MATERIALS

HANGING 5' X 3' FRAME WITH GRID & TILES

H-1: ULPA BLOWER MODULE 120-1-60  
 SPEED CONTROL 8' CORD 30% PRE FILTER  
 400 CFM TO 750 CFM 90 FPM  
 45 DBA OR LESS ROOM SIDE REPLACEABLE

CURTAINS: CLEAR 40 MIL POLYSIM NON OUTGASSING  
 ANTI-STATIC FLAME RETARDANT  
 SIZES AS SHOWN

HANGERS: THREADED ROD & TURN BUCKLES ON  
 FOUR (4) CORNERS



HALCO PRODUCTS CO 847-956-1600  
 100 N. GORDON ST.  
 ELK GROVE IL 60007

**MODEL # MSWS-53**

09-30-2010

C. BRIAN HALE

SCALE = 1/4" = 1'-0"

SUSPENDED MODULAR  
 CLEAN ROOM