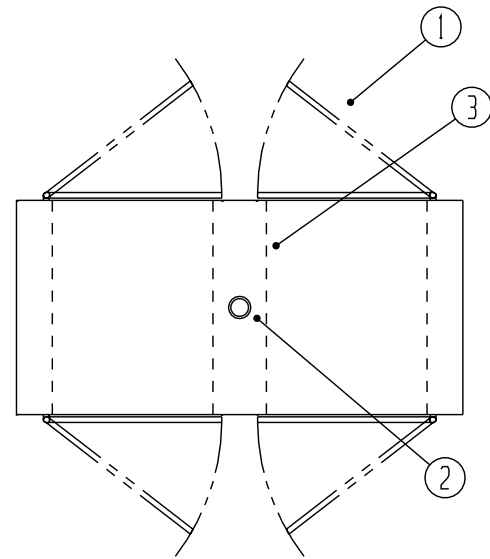


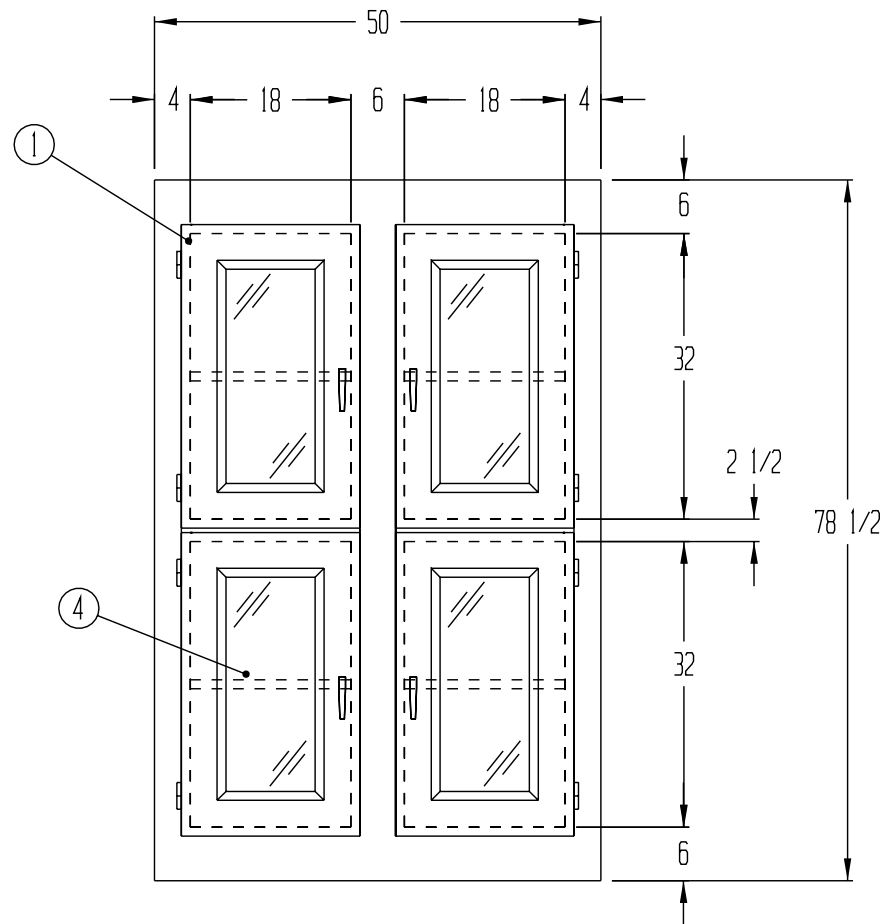
REVISIONS			
REV	DESCRIPTION	DATE	APPROVED
A	CHANGES PER APPROVAL	10/3/00	



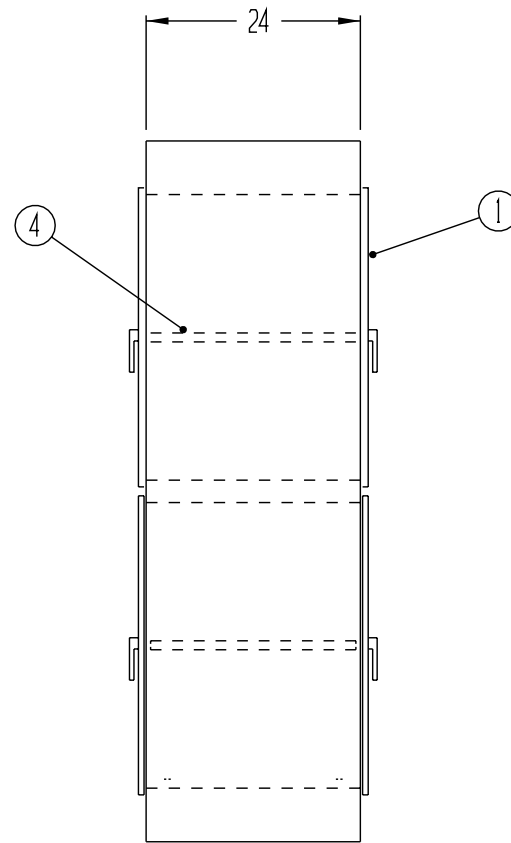
PLAN VIEW

NOTES:

- UNIT TO BE CONSTRUCTED OF 16 GA. GALVANNEALED STEEL, PAINTED WHITE EPOXY
- INTERIOR SURFACES TO BE LAMINATED WITH TYPE 304 STAINLESS STEEL
- DOORS TO BE DOUBLE WALL, CONSTRUCTED OF 20 GA. 304 STAINLESS STEEL WITH 1/4" THK. AMBER ACRYLIC INSERTS AND QUARTER TURN HANDLES
- OPPOSITE DOORS TO BE MECHANICALLY INTERLOCKED
- ROUGH OPENING TO BE 1/4" LARGER THAN OUTSIDE DIMENSIONS OF UNIT



FRONT VIEW



SIDE VIEW

- ① 8 EA. STAINLESS STEEL DOORS, FULLY GASKETED, WITH 1/4" THK. AMBER ACRYLIC INSERTS, CHROME PLATED 1/4 TURN HANDLES AND MECHANICAL INTERLOCK SYSTEM
- ② 1 EA. 2" DIA. PVC EXHAUST DUCT CONNECTION
- ③ INTERIOR STAINLESS STEEL SIDE PANELS TO BE PERFORATED FOR EXHAUST VENTILATION
- ④ INTERMEDIATE STAINLESS STEEL SHELVES

(2) UNIT REQUIRED, AS SHOWN  
TAG: PT-2B

DRAWN FOR		<b>HALCO PRODUCTS COMPANY</b> 100 NORTH GORDON ST, ELK GROVE, ILLINOIS 60007 TITLE PT4872-24 ST/SS				
JDS UNIPHASE FAB "C" & "D" 45 GRIFFON ROAD BLOOMFIELD, CT 06002						
DRAWN BY	LVB	SIZE	JOB NO. 9938	DWG NO.	1510812BA	REV
APPROVED BY		SCALE	1/2"=1'-0"	DATE	12-15-99	SHEET