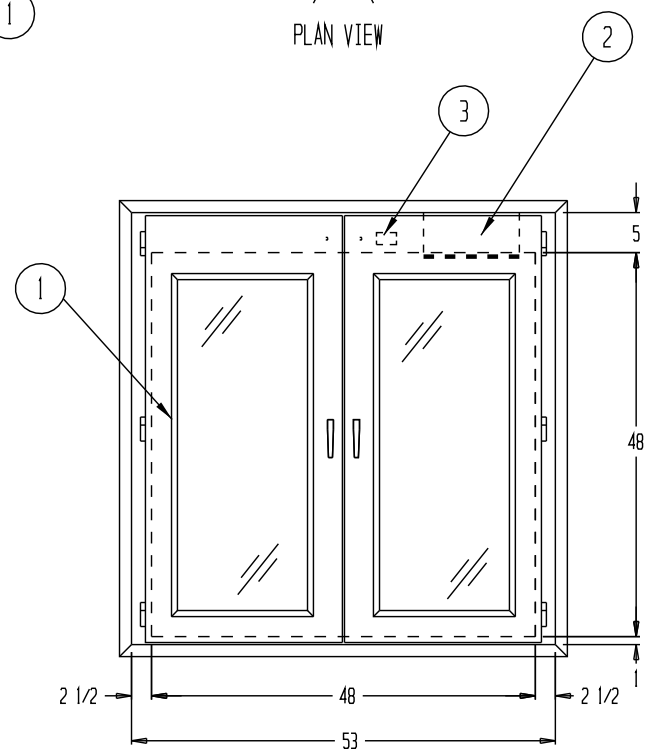
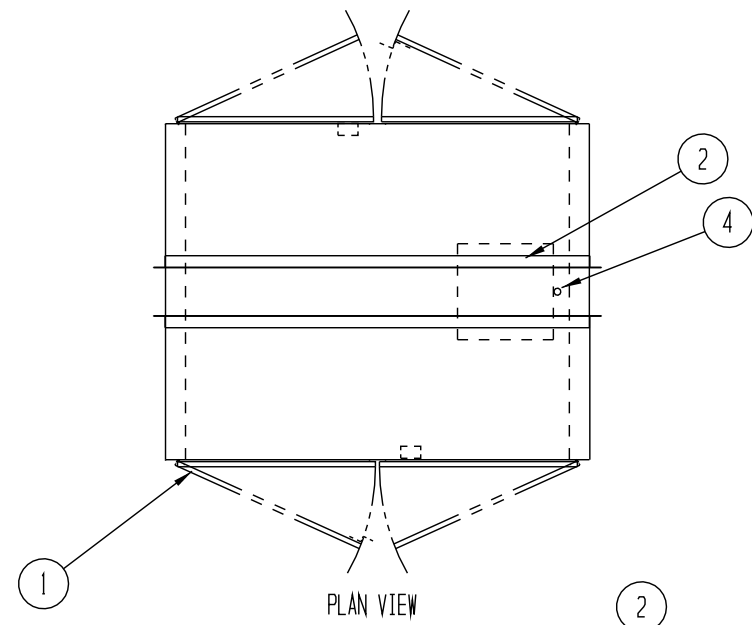
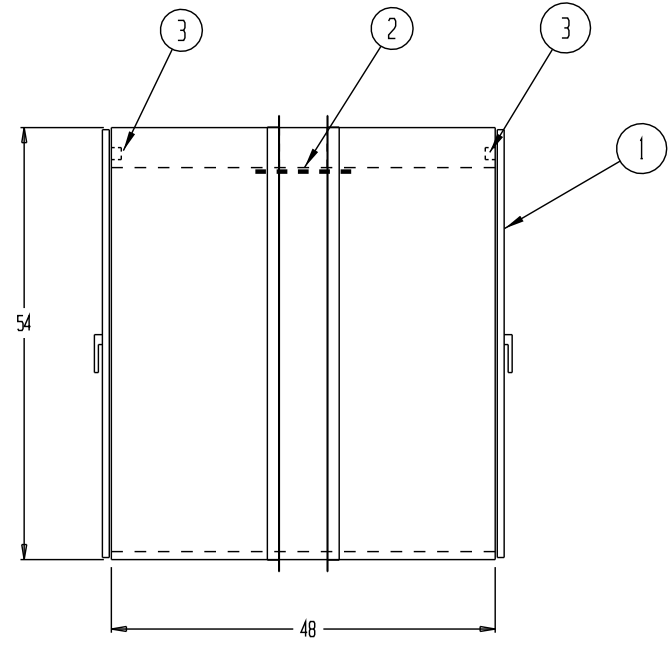


REVISIONS			
REV	DESCRIPTION	DATE	APPROVED



FRONT VIEW



SIDE VIEW

NOTES:

- UNIT CONSTRUCTION TO BE DOUBLE WALL:
- INTERIOR AND EXTERIOR TO BE 16 GA. 304 STAINLESS STEEL WITH A NO. 4 FINISH
- DOORS TO BE 16 & 20 GA. 304 STAINLESS STEEL WITH A NO. 4 FINISH
- UNIT TO BE SUPPLIED WITH 1-1/2" X 1-1/2" X 16 GA. TYPE 304 WELDED ONE PIECE STAINLESS STEEL MOUNTING ANGLE (TO BE FIELD INSTALLED)
- UNIT TO HAVE AN ELECTRICAL DOOR INTERLOCK SYSTEM
- ROUGH OPENING TO BE 1/4" LARGER THAN OUTSIDE DIMENSIONS OF UNIT
- CUSTOMER TO SUPPLY 115 VOLT SERVICE TO PASS-THRU (1.5 FLA)
- DOOR STATUS SWITCHES ON ALL 4 DOORS. DOORS ON EACH SIDE MUST BE CLOSED IN PAIRS FOR INTERLOCK RELEASE.

- ① STAINLESS STEEL DOORS WITH 1/4" TEMPERED GLASS VISIN PANELS, STAINLESS STEEL PIN HINGES, QUARTER TURN HANDLES, ALUM. LOCKING RODS, AND OVERLAPPING DOOR ASTRAGAL ON INACTIVE DOOR FOR POSITIVE SEAL.
- ② RECESSED ELECTRIC INTERLOCK SYSTEM
- ③ ELECTRO-MAGNETIC DOOR LOCKS AND DOOR STATUS SWITCHES
- ④ ELECTRICAL KNOCKOUT FOR CUSTOMER 115V CONNECTION
- ⑤ 1-1/2" X 16 GA ONE PIECE WELDED STAINLESS STEEL FINISHING TRIMS

2 UNITS REQUIRED AS SHOWN

DRAWN FOR		HALE & HALCO COMPANY, INC.		
NXEDGE, INC.		100 NO. GORDON STREET ELK GROVE, IL. 60007		
TITLE		PT4848-48/SS/DD/EI		
DRAWN BY	OK	SIZE	JOB NO. 14280	DWG NO. 152039580
APPROVED BY		SCALE	DATE 3/21/18	REF JOB: 14199