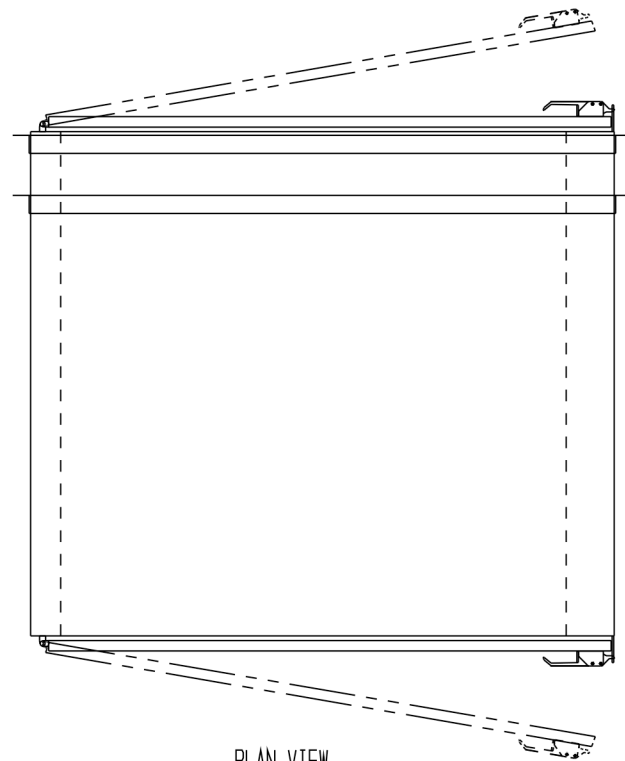
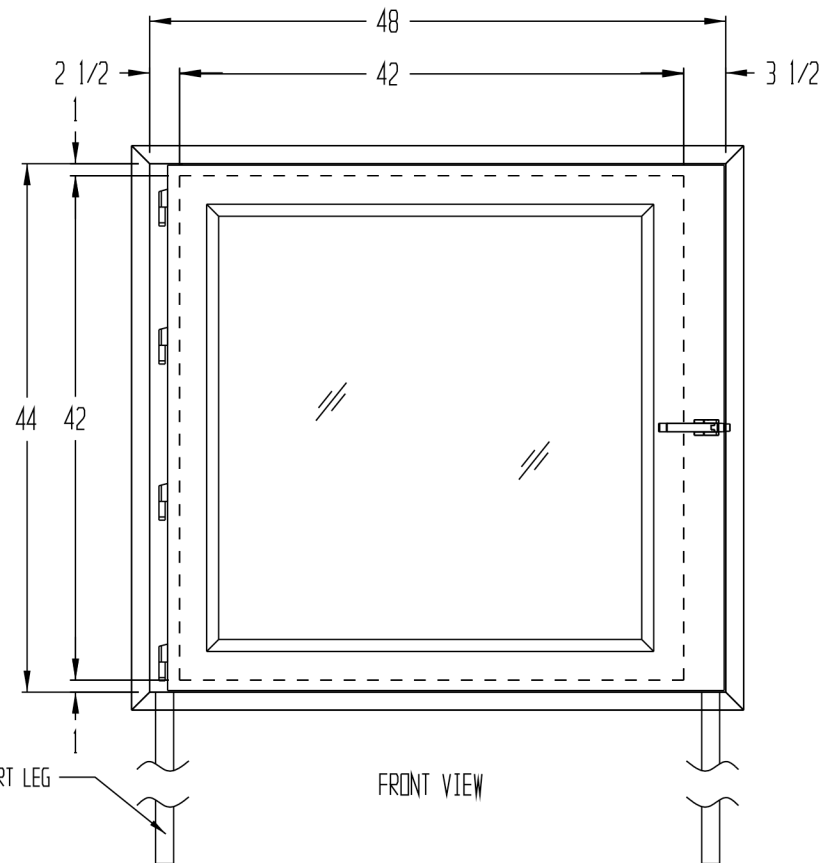


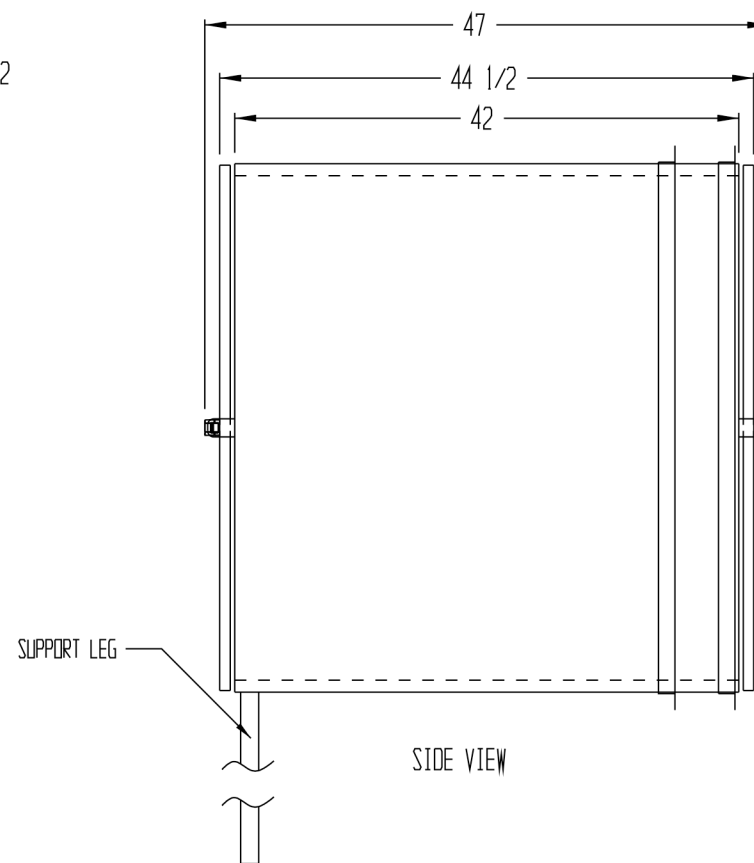
REVISIONS			
REV	DESCRIPTION	DATE	APPROVED



PLAN VIEW



FRONT VIEW



SIDE VIEW

NOTES:

- UNIT FABRICATION TO BE DOUBLE WALL, CONSTRUCTION
- UNIT TO BE CONSTRUCTED OF 16 GA. 316L STAINLESS STEEL WITH #4 FINISH
- DOORS TO BE CONSTRUCTED OF 16 GA. 316L STAINLESS STEEL WITH 1/4" THICK CLEAR TEMPERED GLASS GLAZING, SS PIN HINGES AND STAINLESS STEEL COMPRESSION HANDLE
- UNIT TO BE SUPPLIED WITH 1-1/2" X 1-1/2" X 16 GA. WELDED 316L STAINLESS STEEL FINISHING TRIMS POLISHED BOTH SIDES (TO BE FIELD INSTALLED)
- UNIT TO HAVE A MECHANICAL DOOR INTERLOCK SYSTEM
- ROUGH OPENING TO BE 1/4" LARGER THAN OUTSIDE DIMENSIONS OF UNIT
- UNIT PROVIDED WITH SUPPORT LEGS ON ONE SIDE (CUSTOMER TO SPECIFY LEG HEIGHT)

DRAWN FOR		<b>HALE &amp; HALCO COMPANY, INC.</b> 100 NO. GORDON STREET ELK GROVE, IL. 60007			
		TITLE PT4242-42/SS/MI			
DRAWN BY	OK	SIZE	JOB NO.	DWG NO.	152180880
APPROVED BY		SCALE	3/4" = 1'	DATE	11/16/19
					REF JOB: 14424