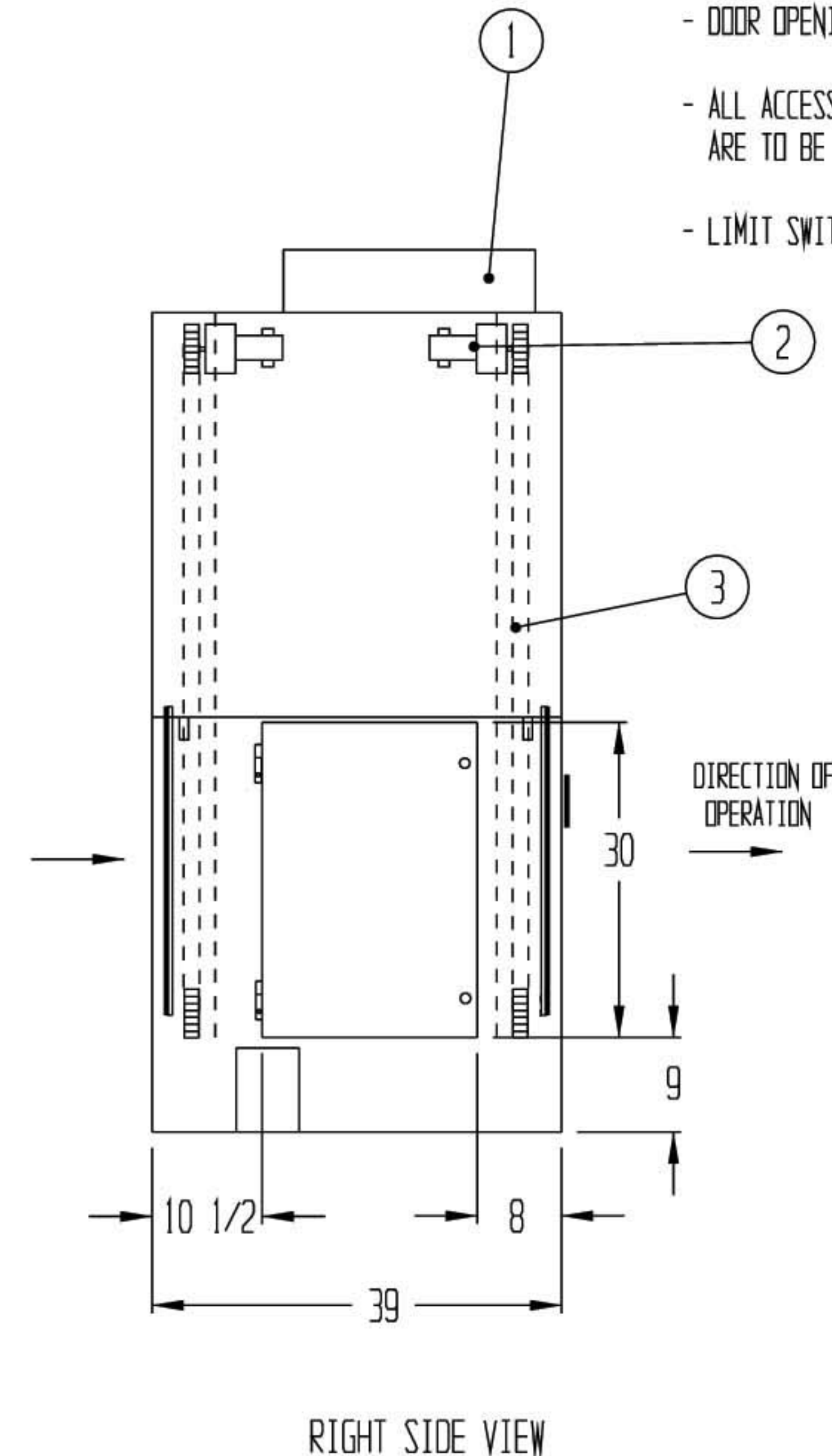
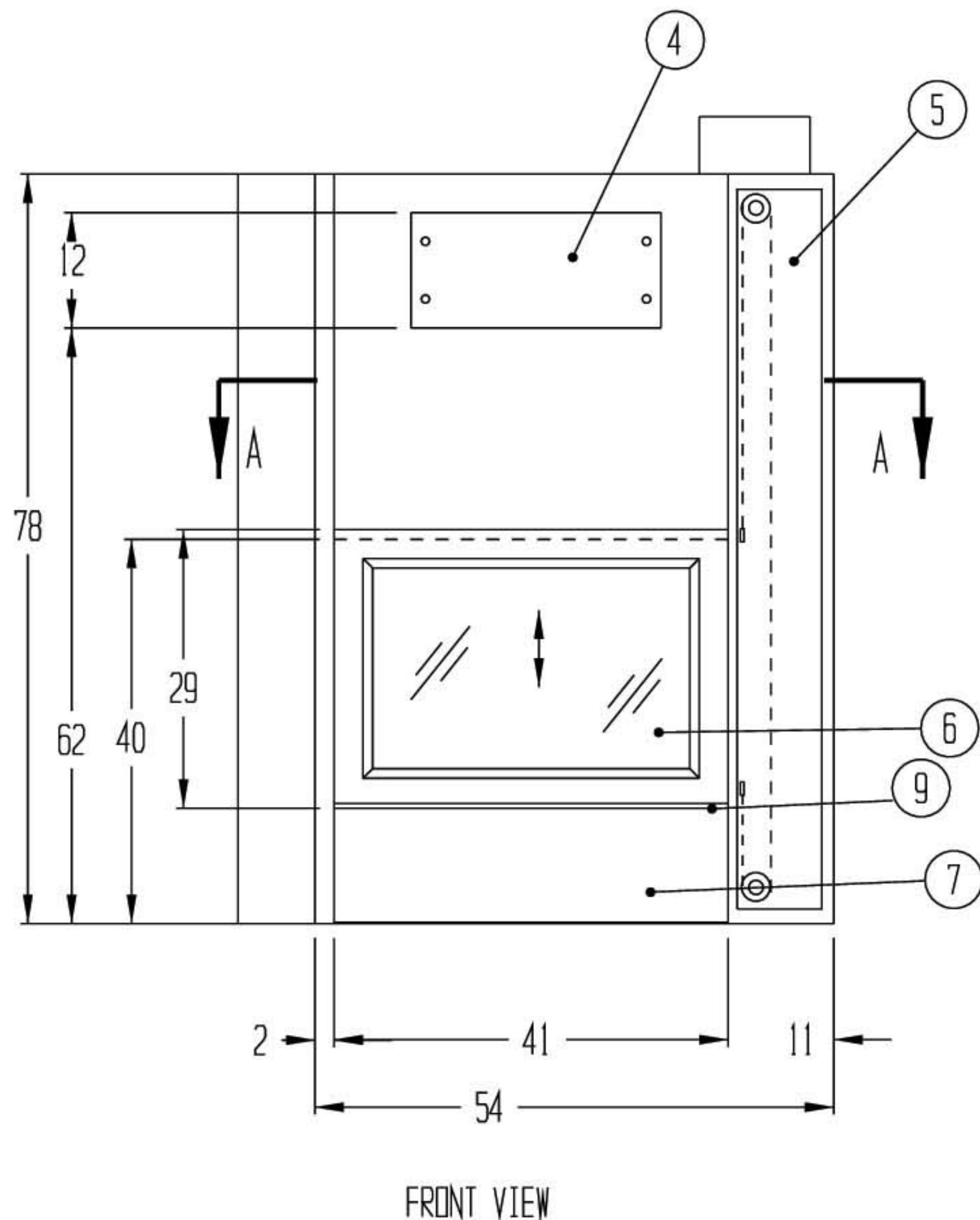


OPENINGS ON BOTH SIDE WALLS FOR FIELD PENETRATIONS FOR EXISTING CONDUIT



- NOTES:
- UNIT CONSTRUCTED OF 16 GA. TYPE 304 STAINLESS STEEL WITH A #4 FINISH
  - UNIT CONSTRUCTED WITH INWARD TURNED FLANGES WHICH ARE BOLTED TOGETHER AND CAULKED ON THE EXTERIOR WITH SILICONE CAULKING
  - ELECTRICAL WIRING TO CONFORM TO LATEST NEC STANDARDS
  - 115V / 60HZ / 15A POWER SUPPLY REQUIRED FOR MOTORS
  - UNIT SHIPPED IN 3 PIECES FOR EASE OF INSTALLATION  
2 WALLS/1 CENTER CEILING
  - VERTICAL SLIDING DOORS EQUIPPED WITH THRESHOLD SENSORS ACROSS OPENING TO REVERSE DOORS IN CASE OF OBSTRUCTION
  - DOOR OPENING/CLOSING SPEEDS TO BE ADJUSTABLE
  - ALL ACCESS PANELS TO HAVE CLOSED CELL NEOPRENE GASKETING AND ARE TO BE FASTENED IN PLACE WITH STAINLESS STEEL FASTENERS
  - LIMIT SWITCHES WIRED TO TERMINAL STRIPS IN ENCLOSURES ON TOP

REVISIONS			
REV	DESCRIPTION	DATE	APPROVED
C	AS BUILT	10/19/05	SM

- ① 1 EA. NEMA 1 CONTROLS ENCLOSURES
- ② 2 EA. 1/8 HP 90 VDC GEAR MOTORS FOR VERTICAL SLIDING DOORS
- ③ TIMING BELT DRIVES FOR VERTICAL SLIDING DOORS
- ④ SERVICE ACCESS PANELS FOR DRIVE MOTORS (BOTH ENDS)
- ⑤ SERVICE ACCESS PANELS FOR BELT SYSTEM (BOTH ENDS)
- ⑥ AUTOMATIC VERTICAL SLIDING DOORS 1/4" THK. CLEAR ACRYLIC WITH STAINLESS STEEL FRAMES
- ⑦ CLOSURE PANEL BELOW DOOR ON BOTH SIDES
- ⑧ ACCESS PANEL FOR CONVEYOR (BOTH SIDES)
- ⑨ 2 EA. THRESHOLD SAFETY SENSORS
- ⑩ DOOR COUNTERWEIGHTS

DRAWN FOR		<b>HALCO PRODUCTS CO.</b> 100 NO. GORDON STREET ELK GROVE, IL. 60007		
		TITLE PT4040-36/SS/VSD/PLC		
DRAWN BY	TM/JY	SIZE	JOB NO. 11127	DWG NO. 1513526BC
APPROVED BY		SCALE	1/2"=1'	DATE 8-1-05
				REV C
				SHEET