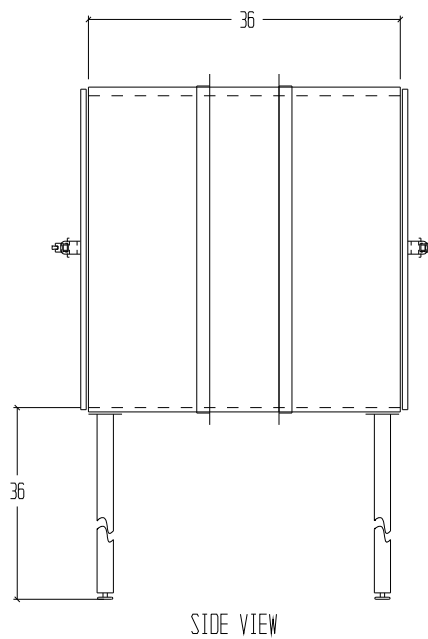
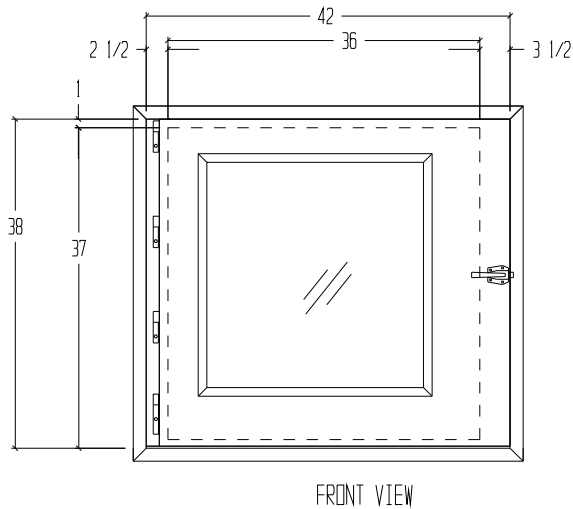
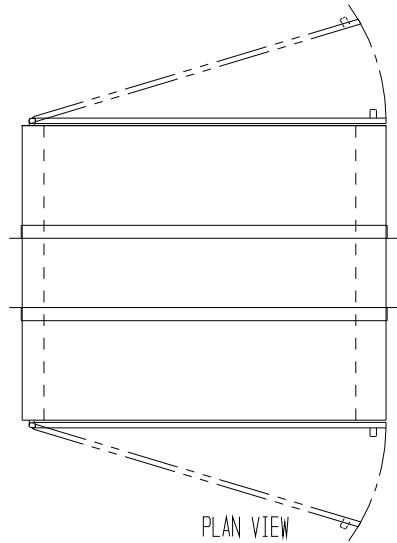


REVISIONS			
REV	DESCRIPTION	DATE	APPROVED



NOTES:

- UNIT FABRICATION TO BE DOUBLE WALL, CONSTRUCTION
- UNIT TO BE CONSTRUCTED OF 16 GA. 304 STAINLESS STEEL WITH #4 FINISH.
- DOORS TO BE CONSTRUCTED OF 16 & 20 GA. 304 STAINLESS STEEL WITH 1/4" THK. CLEAR ACRYLIC WINDOWS, SS PIN HINGE, EDPM GASKET AND SS LATCHING HANDLES
- UNIT TO BE SUPPLIED WITH 1 1/2" X 1 1/2" X 16 GA. 304 STAINLESS STEEL MOUNTING ANGLE (TO BE FIELD INSTALLED)
- UNIT TO HAVE A MECHANICAL DOOR INTERLOCK SYSTEM
- ROUGH OPENING TO BE 1/4" LARGER THAN OUTSIDE DIMENSIONS OF UNIT
- (4) EA SS TUBULAR SUPPORT LEGS (SHIPPED LOOSE) W/ LEVELERS SIZED ALLOW INTERIOR BOTTOM AT 36" OFF THE FLOOR

DRAWN FOR PRINCIPAL BUILDERS SAN FRANCISCO, CA		<b>HALCO PRODUCTS CO.</b> 100 NO. GORDON STREET ELK GROVE, IL. 60007		
		TITLE PT3636-36/SS/MI		
DRAWN BY TM	SIZE	JOB NO. 13463	DWG NO. 1518397BA	REV
APPROVED BY	SCALE 3/4"=1'-0"	DATE 9-30-14	SHEET	