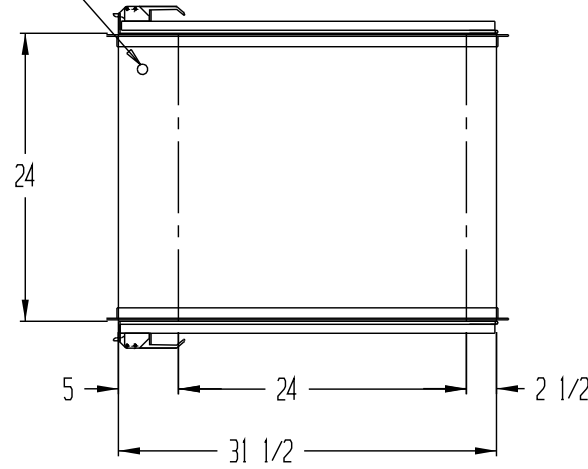


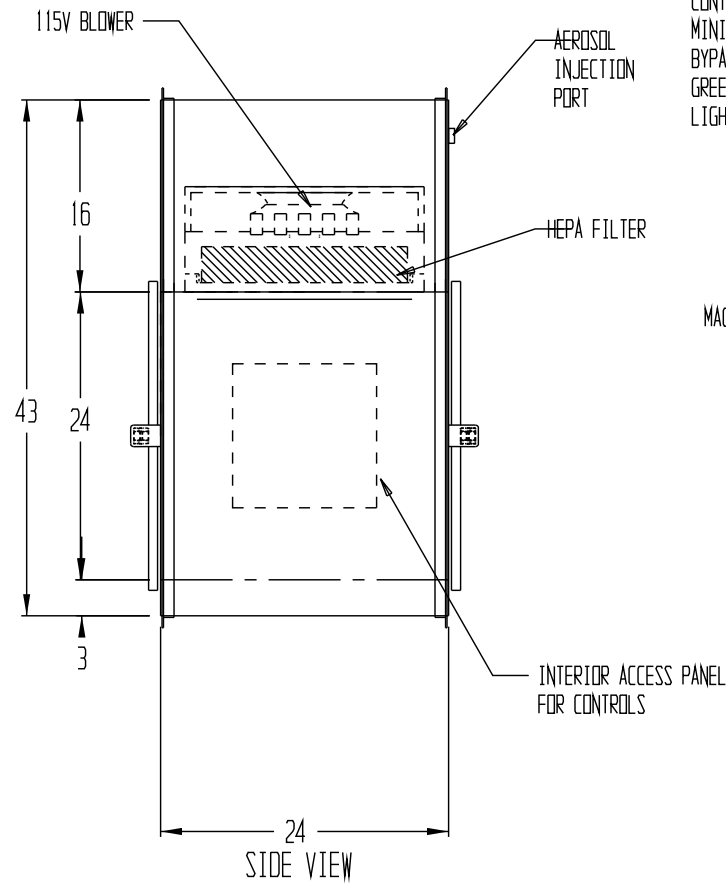
SEQUENCE OF OPERATION:

- TECHNICIAN WILL OPEN ONE DOOR, WHICH WILL LOCK OPPOSITE DOOR.
- MATERIAL WILL BE LOADED INTO PASS-THRU AND DOOR WILL BE CLOSED.
- ONCE THE ENTRY DOOR IS CLOSED, BOTH DOORS WILL UNLOCK
- WHEN EITHER DOOR IS OPENED, THE OTHER WILL LOCK
- THE RECIRCULATING FAN WILL TURN ON WHEN EITHER DOOR IS OPENED AND WILL TIME OUT AFTER BOTH DOORS ARE CLOSED (SELECTABLE TIME CYCLE)
- UNIT PROVIDED WITH A BYPASS SWITCH TO ALLOW PURGE TO RUN CONTINUOUSLY

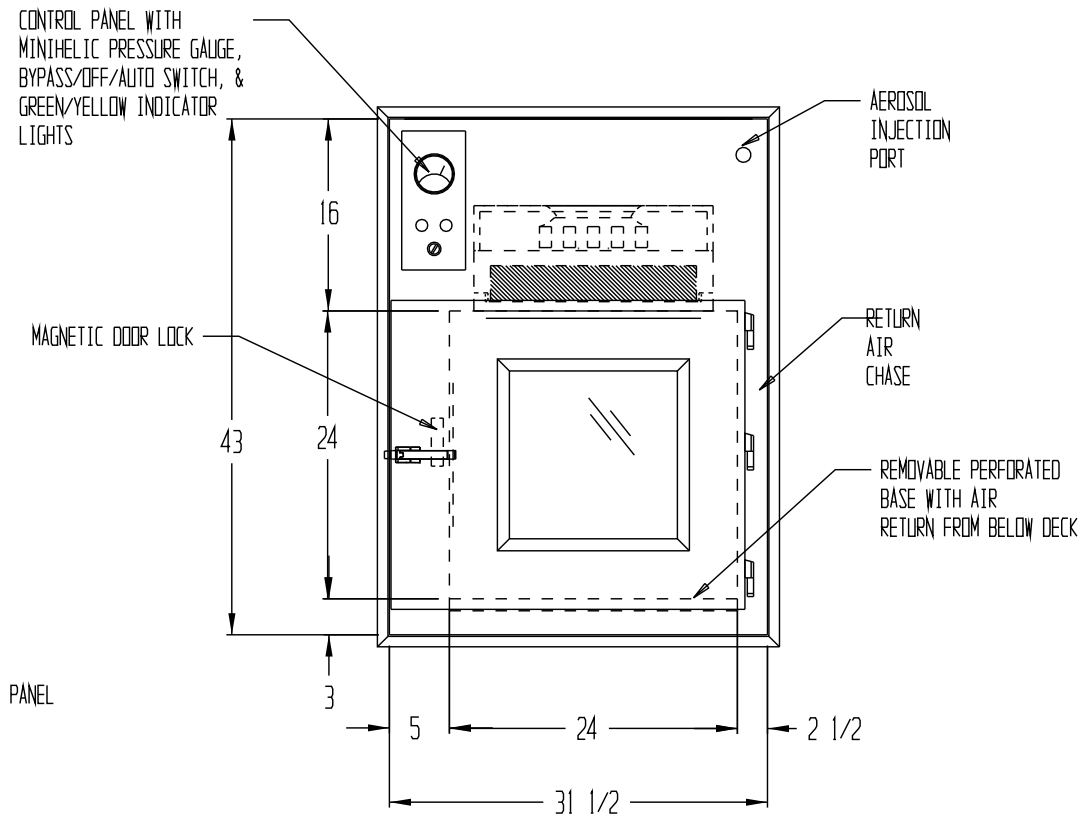
1/2" KNOCKOUT FOR ELECTRICAL SERVICE CONNECTION  
115 VOLT, 1 PHASE, 3.0 FLA



TOP VIEW



SIDE VIEW



FRONT VIEW

1 UNIT REQUIRED AS SHOWN

REVISIONS			
REV	DESCRIPTION	DATE	APPROVED
-	--	--	

NOTES:

- UNIT TO BE CONSTRUCTED OF 16 GA. TYPE 316L STAINLESS STEEL WITH A #4 FINISH
- DOORS TO BE TYPE 316L STAINLESS STEEL FRAMED WITH 1/4" THICK CLEAR TEMPERED GLASS GLAZING, SS COMPRESSION HANDLE, SS PIN HINGES AND CLOSED CELL EPDM GASKET
- MOUNTING ANGLE TO BE 1-1/2" X 1-1/2" X 16 GA. ONE PIECE, FULLY WELDED TYPE 316L STAINLESS STEEL (SUPPLIED, NOT ATTACHED)
- UNIT TO HAVE FAIL-SAFE ELECTRONIC INTERLOCKING SYSTEM WITH MAGNETIC LOCKS THAT FAIL OPEN WITH LOSS OF POWER
- ROUGH OPENING SIZE SHOULD BE 1/4" LARGER THAN UNIT SIZE
- PERFORATED TYPE 304 STAINLESS STEEL DIFFUSER PLATE MOUNTED BELOW FILTER
- CONSTANT OR AUTOMATIC PURGING (SELECTABLE) RECIRCULATING BLOWER, 225 CFM, W/ GEL SEAL REPLACEABLE 99.99% HEPA, 18" X 18" X 3-1/2"

DRAWN FOR		<b>HALE &amp; HALCO COMPANY, INC.</b> 100 NO. GORDON STREET ELK GROVE, IL. 60007			
UTMB CLC PHARMA					TITLE PT2424-24/SS/EI/RHC
DRAWN BY	DK	SIZE	JOB NO. 14821	DWG NO. 1521671B0	REV
APPROVED BY		SCALE 3/4"=1'-0"	DATE 10/2/19	REF JOB: 14620	