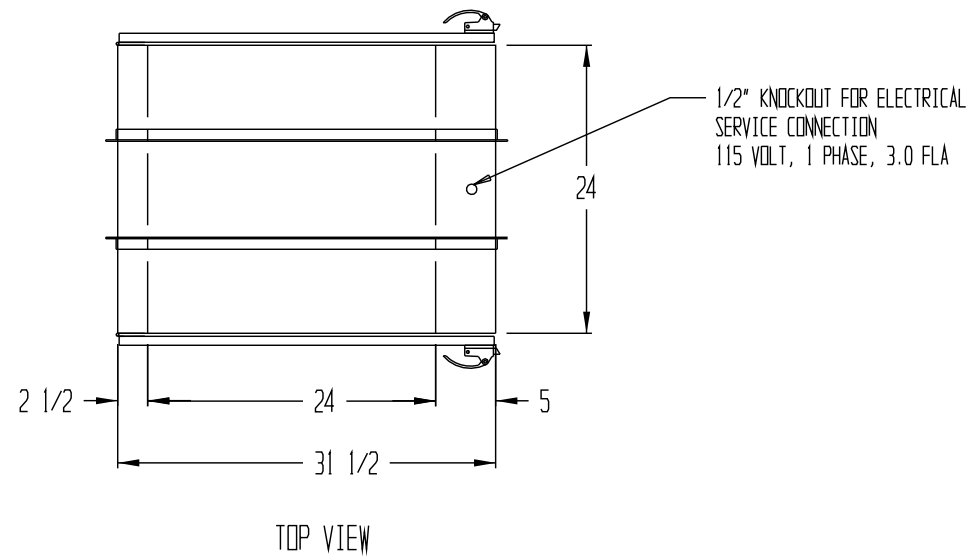


REVISIONS			
REV	DESCRIPTION	DATE	APPROVED

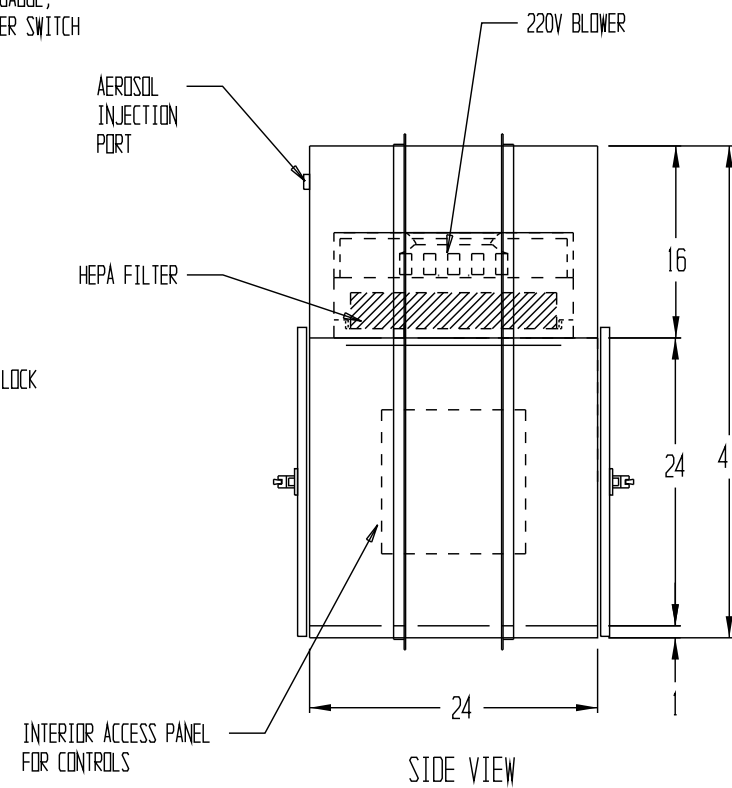
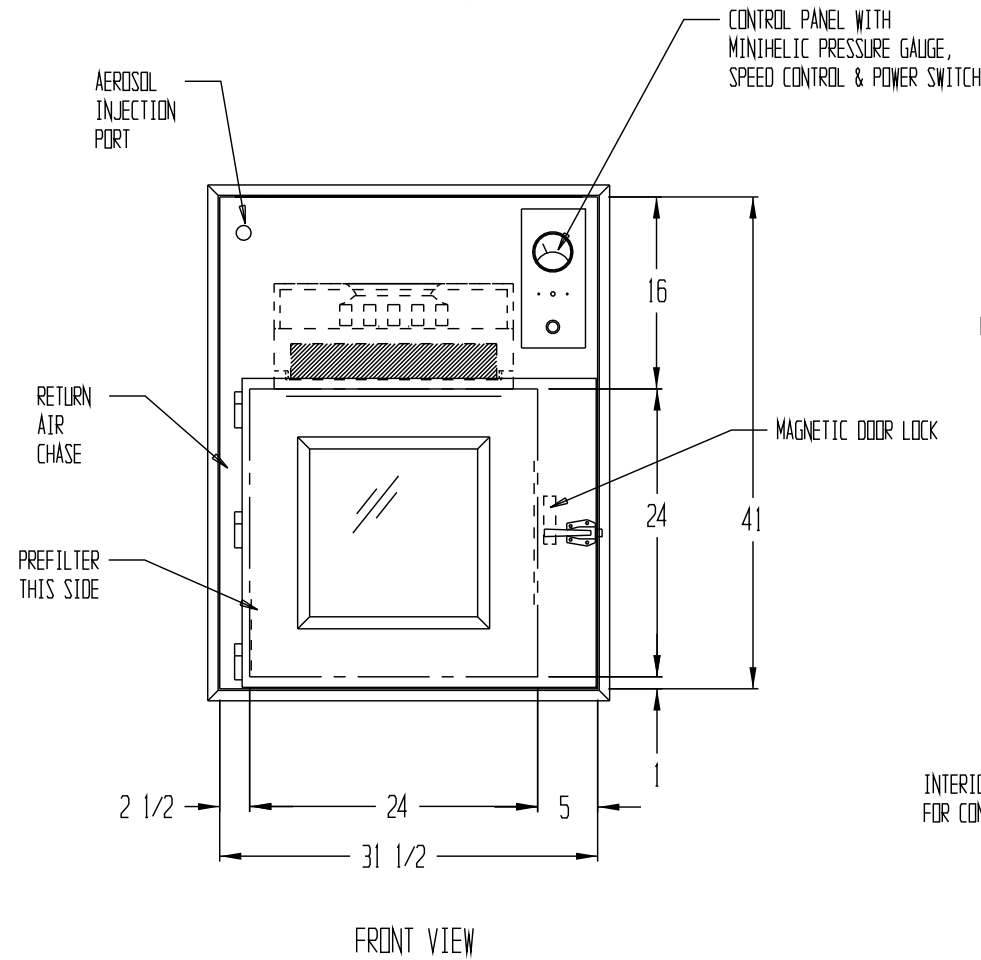


SEQUENCE OF OPERATION:

- TECHNICIAN WILL OPEN ONE DOOR, WHICH WILL LOCK OPPOSITE DOOR.
- MATERIAL WILL BE LOADED INTO PASS-THRU AND DOOR WILL BE CLOSED.
- ONCE THE ENTRY DOOR IS CLOSED, BOTH DOORS WILL UNLOCK
- WHEN EITHER DOOR IS OPENED, THE OTHER WILL LOCK
- THE RECIRCULATING FAN WILL RUN ONLY WHILE DOORS ARE CLOSED FOR A SET TIME CYCLE .
- IF EITHER DOOR IS OPENED FAN WILL SHUT DOWN

NOTES:

- UNIT TO BE CONSTRUCTED OF 16 GA. TYPE 316L STAINLESS STEEL WITH A #4 FINISH
- DOORS TO BE STAINLESS STEEL FRAMED WITH 1/4" THICK CLEAR ACRYLIC GLAZING, SS LATCHING HANDLE, SS PIN HINGES
- MOUNTING ANGLE TO BE 1 1/2 " X 1 1/2" X 16 GA. TYPE 316L STAINLESS STEEL (SUPPLIED, NOT ATTACHED)
- UNIT TO HAVE FAIL-SAFE ELECTRONIC INTERLOCKING SYSTEM WITH MAGNETIC LOCKS THAT FAIL OPEN WITH LOSS OF POWER
- ROUGH OPENING SIZE SHOULD BE 1/4" LARGER THAN UNIT SIZE
- PERFORATED STAINLESS STEEL DIFFUSER PLATE MOUNTED BELOW FILTER
- CONSTANT PURGING, RECIRCULATING BLOWER, 225 CFM, W/ GEL SEAL REPLACEABLE 99.999% HEPA, 18" X 18" X 3 1/2"



2 UNITS REQUIRED

DRAWN FOR AMGEN	HALCO PRODUCTS CO. 100 NO. GORDON STREET ELK GROVE, IL. 60007			
	TITLE PT2424-24/SS/EI/HC/SP			
DRAWN BY DK	SIZE	JOB NO. ----	DWG NO. 1518271B0	REV
APPROVED BY	SCALE 3/4"=1'-0"	DATE 7/1/14		