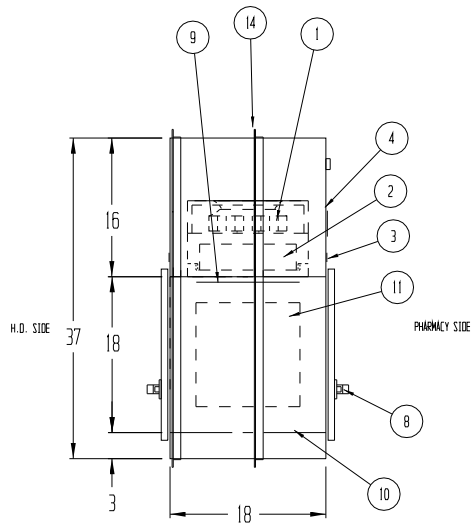
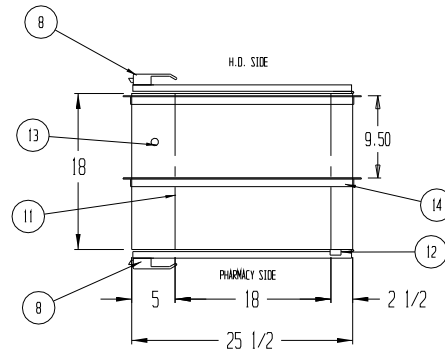


SEQUENCE OF OPERATION:

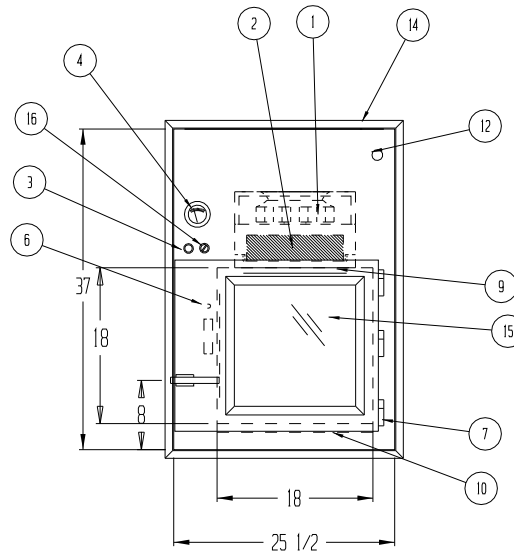
- TECHNICIAN WILL OPEN EITHER DOOR, WHICH WILL LOCK OPPOSITE DOOR AND TURN THE OPPOSITE INDICATOR RED
- MATERIAL WILL BE LOADED INTO PASS-THRU AND DOOR WILL BE CLOSED.
- ONCE THE DOOR IS CLOSED, BOTH DOORS WILL LOCK, PURGE FAN WILL TURN ON, AND BOTH INDICATORS WILL TURN RED
- WHEN THE TIMED PURGE CYCLE ENDS, THE FAN WILL STOP AND THE DOORS WILL UNLOCK
- MATERIAL CAN NOW BE REMOVED FROM PASS-THRU AND DOOR WILL BE CLOSED
- ONCE THE DOOR IS CLOSED THE PASS THROUGH WILL PURGE AGAIN.
- ONCE THE DOORS UNLOCK, THE UNIT WILL BE READY FOR A NEW CYCLE.
- THE RECIRCULATING FAN WILL TURN ON WHEN EITHER DOOR IS OPENED AND THEN CLOSED.
- THE PURGE CYCLE IS FACTORY SET AT 40 SECONDS TO MEET OR EXCEED ISO 7 REQUIREMENTS WITHIN THE CHAMBER.
- THE PURGE CYCLE TIMER IS ADJUSTABLE FROM BEHIND THE INTERIOR ACCESS PANEL.



SIDE VIEW



TOP VIEW



FRONT VIEW
PHARMACY SIDE

NOTES:

- UNIT TO BE CONSTRUCTED OF 16 GA. TYPE 304 STAINLESS STEEL WITH A #4 FINISH
- DOORS TO BE TYPE 304 STAINLESS STEEL FRAMED WITH 1/4" THICK CLEAR ACRYLIC GLAZING, SS LATCHING HANDLE, SS PIN HINGES AND CLOSED CELL EPDM GASKET
- MOUNTING ANGLE TO BE 1-1/2" X 1-1/2" X 16 GA. ONE PIECE, FULLY WELDED TYPE 304 STAINLESS STEEL (SUPPLIED, NOT ATTACHED)
- UNIT TO HAVE FAIL-SAFE ELECTRONIC INTERLOCKING SYSTEM WITH MAGNETIC LOCKS THAT FAIL OPEN WITH LOSS OF POWER
- ROUGH OPENING SIZE SHOULD BE 1/4" LARGER THAN UNIT SIZE
- CUSTOMER ELECTRICAL CONNECTION WITHIN THE WALL

REVISIONS			
REV	DESCRIPTION	DATE	APPROVED

- ① R2E220 BACKWARD CURVED IMPELLER BLOWER 115 VOLT 100 WATTS CAPABLE OF PRODUCING 120 CFM OF AIR
- ② 12" X 12" X 3-1/2" DOWNSTREAM GEL SEAL HEPA FILTER 99.99% EFFECTIVE ON PARTICLES OF 0.3 MICRONS IN SIZE
- ③ RED/GREEN STATUS INDICATOR LIGHT ON BOTH SIDES
- ④ 1EA MINIHETIC DIFFERENTIAL PRESSURE GAUGE FOR HEPA FILTER
- ⑤ ELECTRO-MAGNETIC DOOR LOCKS
- ⑥ DOOR STATUS SWITCHES
- ⑦ STAINLESS STEEL PIN HINGES
- ⑧ STAINLESS STEEL COMPRESSION LATCHING HANDLE
- ⑨ REMOVEABLE PERFORATED HEPA GRILL
- ⑩ PERFORATED STAINLESS STEEL DECK WITH AIR RETURN FROM BELOW (DECK REMOVEABLE FOR CLEANING)
- ⑪ ELECTRONIC CONTROLS AND TIMER WITH FLUSH MOUNTED INTERIOR ACCESS PANEL
- ⑫ 3/4" NPT AEROSOL INJECTION PORT WITH FLUSH PLUG
- ⑬ 1/2" ELECTRICAL KNOCKOUT FOR CUSTOMER POWER CONNECTION
- ⑭ WELDED ONE PIECE FINISHING TRIMS POLISHED ON BOTH SIDES
- ⑮ 1/4" THICK CLEAR ACRYLIC GLAZING
- ⑯ BYPASS SWITCH FOR CONSTANT BLOWER (FOR FILTER CERTIFICATION)

1 UNIT REQUIRED AS SHOWN

---		HALB & HALCO COMPANY, INC. 100 NO. GORDON STREET ELK GROVE, IL. 60007			
		TITLE PT1818-18/SS/EI/RHC			
DRAWN BY	SM	SIZE	JOB NO. 14215-2	ENG NO. 1520220BC	REV
APPROVED BY		SCALE	3/4" = 1' 0"	DATE	12/12/17 14044