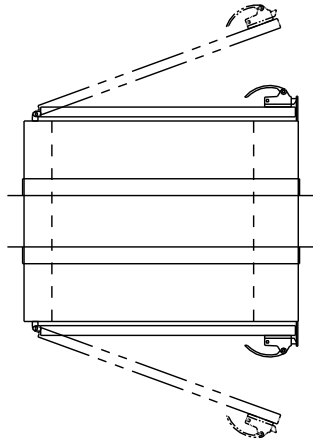


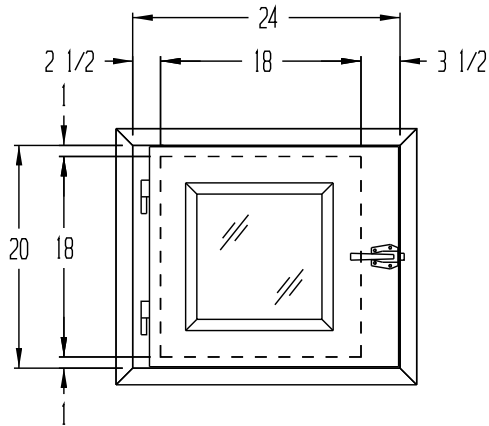
REVISIONS			
REV	DESCRIPTION	DATE	APPROVED



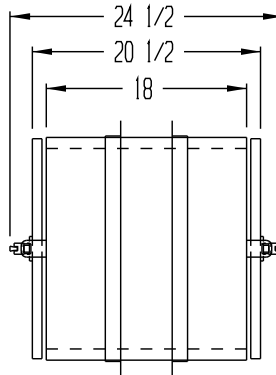
PLAN VIEW

NOTES:

- UNIT FABRICATION TO BE DOUBLE WALL, CONSTRUCTION
- UNIT TO BE CONSTRUCTED OF 16 & 20 GA. 304 STAINLESS STEEL WITH #4 FINISH
- DOORS TO BE CONSTRUCTED OF 16 GA. 304 STAINLESS STEEL WITH 1/4" THK. CLEAR ACRYLIC GLAZING, SS PIN HINGES AND STAINLESS STEEL LATCHING HANDLE
- UNIT TO BE SUPPLIED WITH 1 1/2" X 1 1/2" X 16 GA. 304 STAINLESS STEEL WELDED ONE PIECE FINISHING TRIMS POLISHED BOTH SIDES (TO BE FIELD INSTALLED)
- UNIT TO HAVE A MECHANICAL DOOR INTERLOCK SYSTEM
- ROUGH OPENING TO BE 1/4" LARGER THAN OUTSIDE DIMENSIONS OF UNIT



FRONT VIEW



SIDE VIEW

4 UNITS REQUIRED AS SHOWN

DRAWN FOR	HALCO PRODUCTS CO. 100 NO. GORDON STREET ELK GROVE, IL. 60007			
	TITLE PT1818-18/SS/MI			
DRAWN BY OK	SIZE	JOB NO. *****	DWG NO. 1519926A0	REV
APPROVED BY	SCALE 5/8" = 1'	DATE 6/21/17	REF JOB 13806	