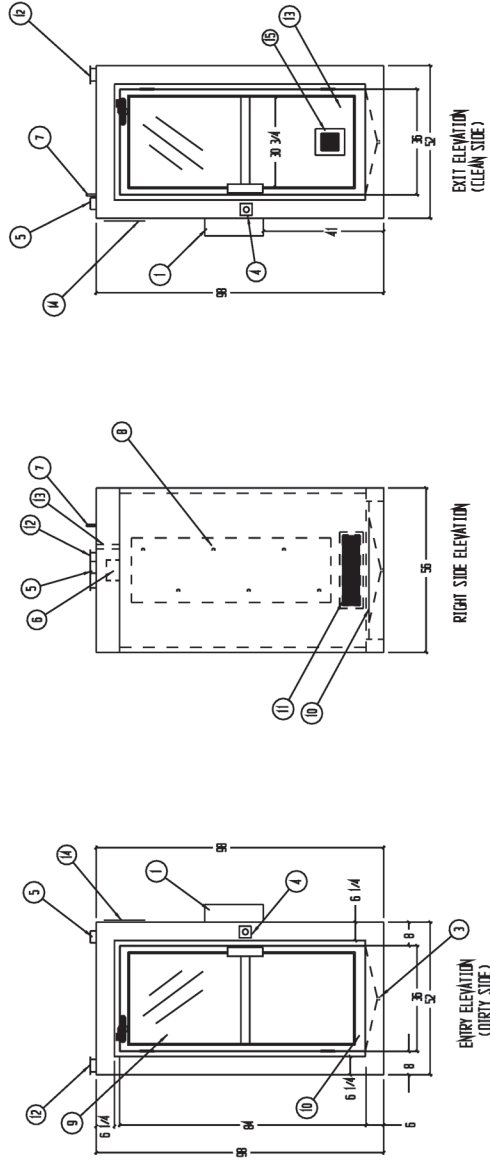
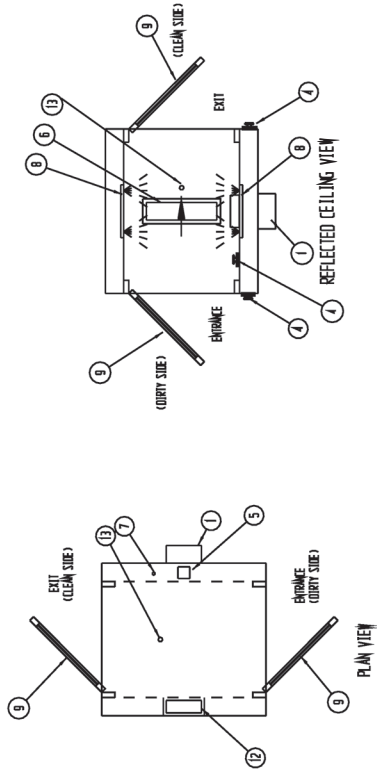


REV	DESCRIPTION	DATE	APPROVED
A	ADD DETAILS	8/7/15	SM

NOTES:

- UNIT CONSTRUCTION TO BE 16 GA. TYPE 304 STAINLESS STEEL WITH A #4 FINISH
- ELECTRICAL WIRING TO CONFORM TO LATEST NEC STANDARDS
- CUSTOMER TO SUPPLY A SINGLE SOURCE 115 VOLT/ 1 PHASE/ 60 HZ, 2.5 FLA
- CUSTOMER TO SUPPLY FILTERED WATER AT A MINIMUM OF 60 PSI
- UNIT TO BE SHIPPED IN ONE PIECE FOR EASE OF INSTALLATION
- UNIT SUPPLIED WITH ELECTRICAL INTERLOCK SYSTEM



- ① STAINLESS STEEL W/VA 4 CONTROLS ENCLOSURE WITH PLC TOUCHSCREEN CONTROL, DISCONNECT AND ALARM
- ② ACTIVE INFRARED PRESENCE SENSOR
- ③ 1" NPT FITTING FOR DRAIN CONNECTION
- ④ 3 EA. EMERGENCY STOP BUTTONS (END)
- ⑤ ELECTRICAL JUNCTION BOX FOR CUSTOMER CONNECTION
- ⑥ LED LIGHT FIXTURE WITH GASKETED STAINLESS STEEL LENS
- ⑦ 3/8" NPT CUSTOMER WATER CONNECTION
- ⑧ 12 EA. STAINLESS STEEL MISTING NOZZLES CAPABLE OF 2.5 GAL/HR @ 60 PSI ON FLOOR MOUNTED REMOVABLE SERVICE PANEL
- ⑨ ANODIZED ALUMINUM DOORS WITH TOP 1/4" SAFETY GLASS GLAZING BOTTOM ANODIZED ALUMINUM PANEL, PUSH/PULL HARDWARE, SELF CLOSERS & MAGNETIC LOCKS
- ⑩ FIBERGLASS GRADED FLOOR WITH DRAIN PAN BELOW
- ⑪ 2 EA. 24" X 6" STAINLESS STEEL LOW WALL EXHAUST GRILLS
- ⑫ 12" X 4" EXHAUST DUCT WITH FLANGE
- ⑬ 2" ID SEALED SLEEVE FOR SPRINKLER PENETRATION (HEAD & PIPE BY OTHERS)
- ⑭ WATER SOLVENT, WATER FILTER AND WATER VALVE ACCESS
- ⑮ ADJUSTABLE ANODIZED ALUMINUM AIR INTAKE GRILL IN EXIT DOOR

1 UNIT REQUIRED, AS SHOWN

DRAIN FOR	HALCO PRODUCTS CO		
TITLE	MISTING SHOWER MODEL # MS347-SS/PLC/RF		
DRIVEN BY	DK	DATE	7/15/15
APPROVED BY		SHEET	05A.05B