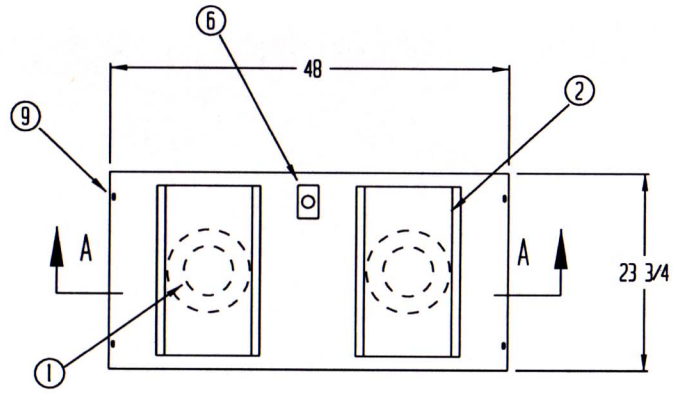


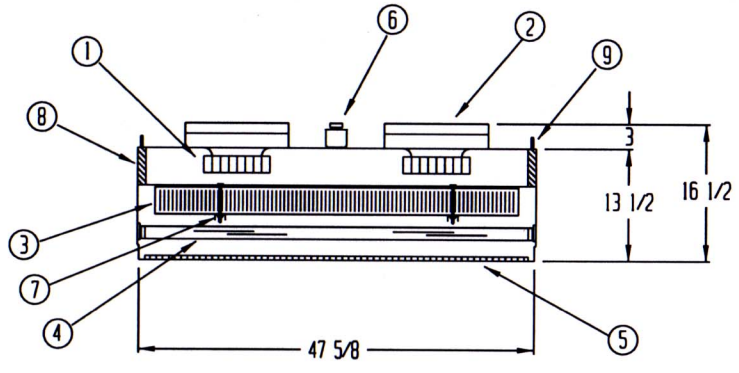
REVISIONS			
REV	DESCRIPTION	DATE	APPROVED

NOTES:

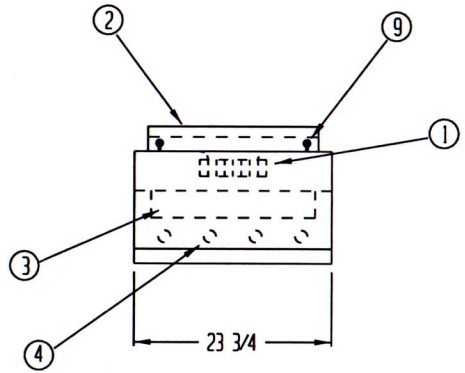
- UNIT TO BE CONSTRUCTED OF 16 GA. AND 14 GA. MILL FINISH ALUMINUM
- ELECTRICAL WIRING TO CONFORM TO NEC STANDARDS
- UNIT TO MEET FEDERAL STANDARDS 209 B&E FOR CLASS 100 DEVICES
- TOTAL CLEAN AIR CAPACITY, 600 CFM
- CUSTOMER TO SUPPLY TWO SEPARATE CIRCUITS
(LIGHT CIRCUIT) 115 VOLT, 60 HZ. 2.3 FLA
(BLOWER CIRCUIT) 115 VOLT, 60 HZ. 1.8 FLA



PLAN VIEW



SECTION A-A



RIGHT END VIEW

LEGEND:

- ① 2 EA. RADIAL FAN/MOTORS, 115V, 60 HZ, 100W
- ② 2 EA. 12 X 20 X 1" THK. DISPOSABLE PRE-FILTERS, 30% EFFICIENT
- ③ 1 EA. 19 3/4 X 43 3/4 X 3 1/2" THK. HEPA FILTER, 99.99% EFFICIENT ON PARTICLE OF 0.3 MICRON SIZE (GASKET SEAL)
- ④ (4) 32W FLUORESCENT LAMPS
- ⑤ REMOVABLE ACRYLIC EGGCRATE GRILLE
- ⑥ ELECTRICAL JUNCTION BOX WITH ELECTRONIC SPEED CONTROL
- ⑦ HEPA FILTER CLAMPS
- ⑧ SOUND ABSORBING INSULATION
- ⑨ 4 EA. EYE BOLT HANGERS

DRAWN FOR		Halco Products Co. 100 Gordon St. Elk Grove, IL, 60007		
STANDARD		TITLE FT2448-3LO/AL/LGT		
DRAWN BY	LVB	SIZE	JOB NO.	DNW NO. 177677CO
APPROVED BY		SCALE	DATE	REV
		1"=1'-0"	8-31-93	SHEET