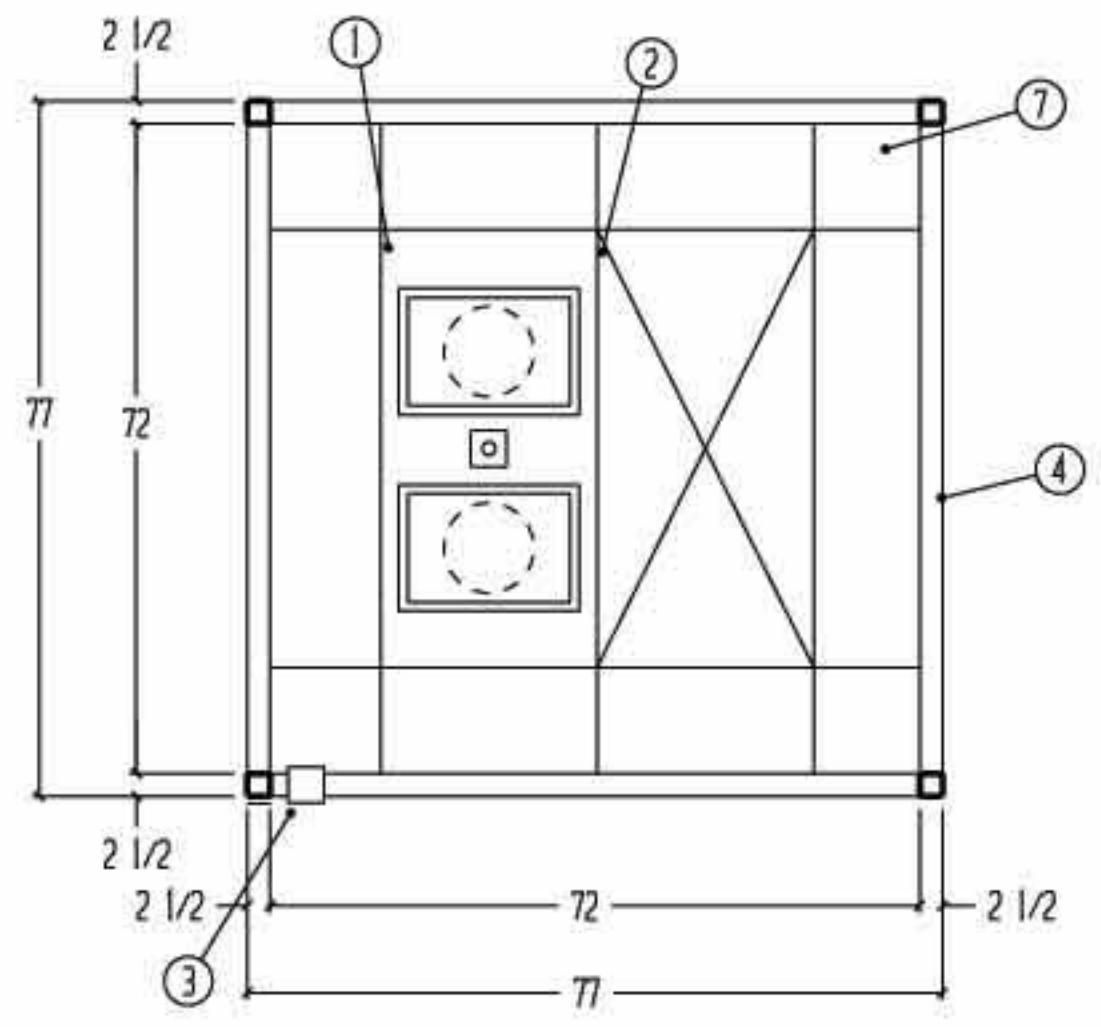
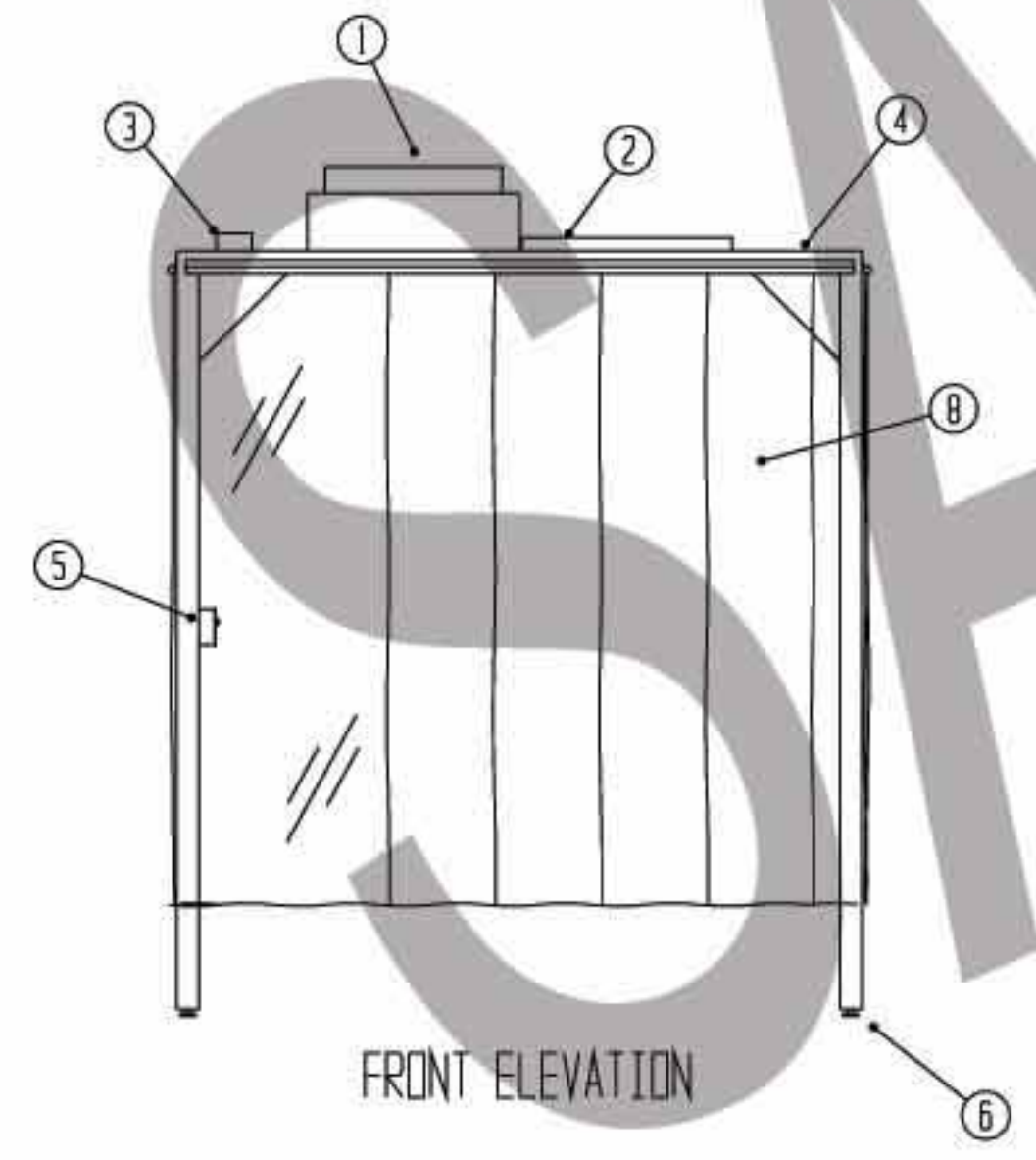


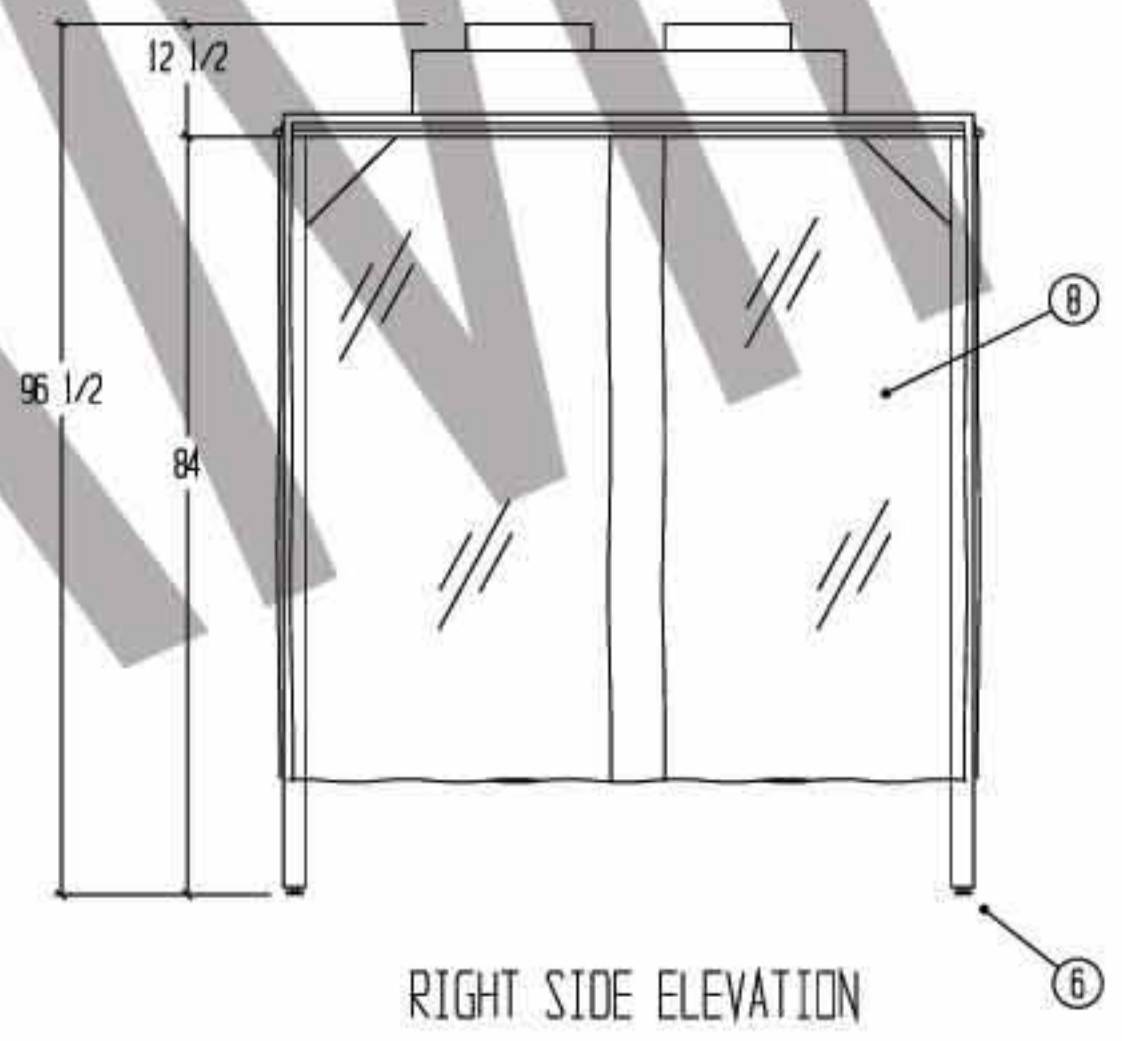
REVISIONS			
REV	DESCRIPTION	DATE	APPROVED



PLAN VIEW



FRONT ELEVATION



RIGHT SIDE ELEVATION

LEGEND:

- ① 1 EA. 120V /1PH /60HZ, FT244BLD/AL HEPA/BLOWER MODULES, 99.99% EFFICIENT, WITH DISPOSABLE PRE-FILTERS AND SOLID STATE SPEED CONTROLS
- ② 1 EA. 120V /1PH /60HZ, SEALED 2 X 4 LIGHT FIXTURE W/ (4) F32T8 FLUORESCENT LAMPS
- ③ MODULES AND LIGHTS TO BE PRE-WIRED TO JUNCTION BOX ON TOP
- ④ 2 1/2" X 2 1/2" TUBULAR STEEL SUPPORT FRAME, PAINTED WHITE EPOXY
- ⑤ BLOWER AND LIGHT ON-OFF SWITCH
- ⑥ 4 EA. LEG LEVELERS
- ⑦ WHITE MELIMINE, GASKETED, CEILING PANELS
- ⑧ 48" WIDE X 72" LONG X 40 MIL THK. CLEAR VINYL CURTAIN PANELS, WITH ENTRANCE OF 12" STRIPS, 48" WIDE

(1) UNIT REQUIRED, AS SHOWN

DRAWN FOR		HALCO PRODUCTS CO.			
		100 NO. GORDON STREET ELK GROVE, IL. 60007			
		TITLE CLASS 10,000 SOFT WALL CLEAN ROOM - DFE 66-7			
DRAWN BY	TM	SIZE	JOB NO.	DWG NO.	REV
APPROVED BY		SCALE	3/8" = 1'-0"	DATE	REFERENCE JOB #