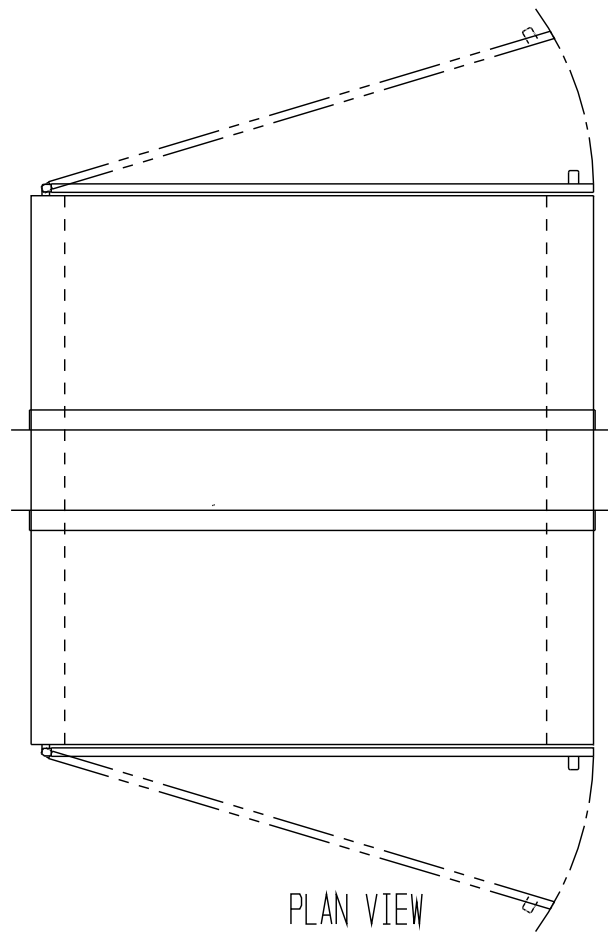
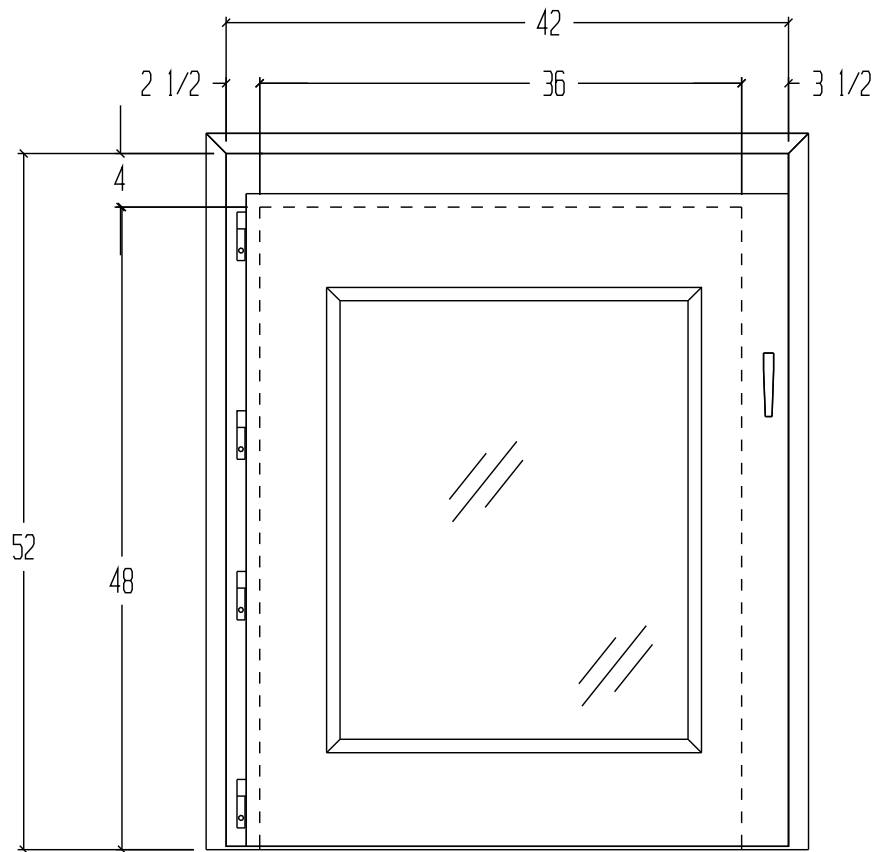


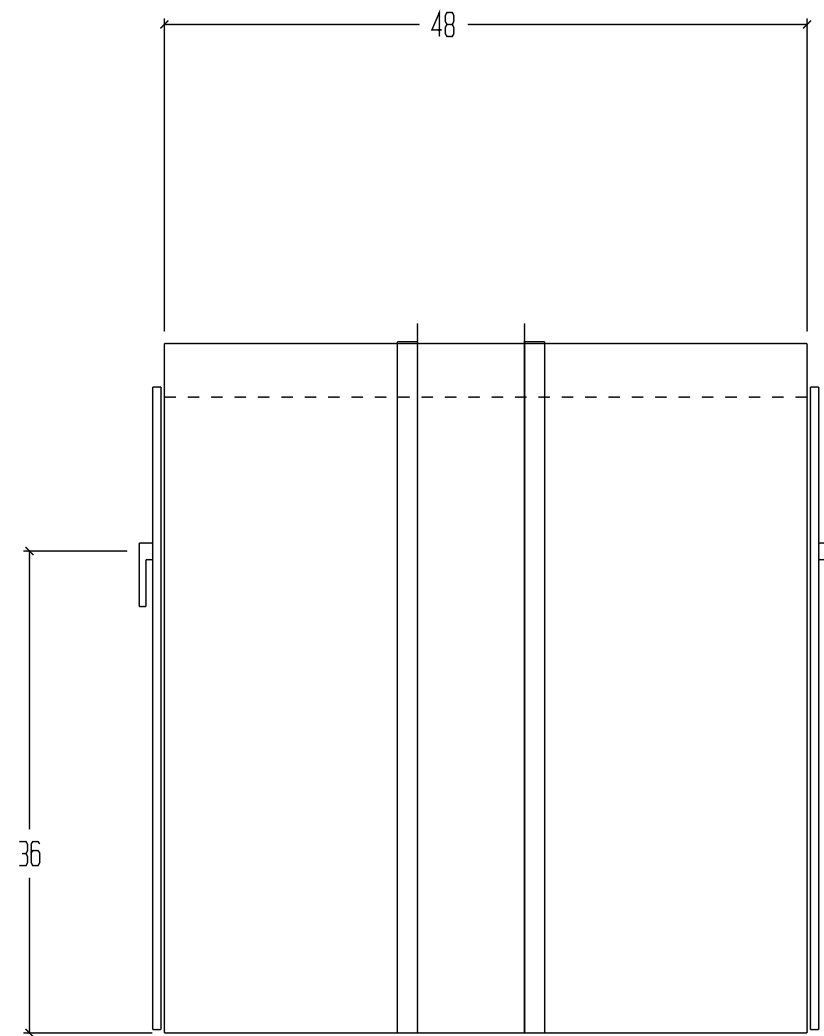
REVISIONS			
REV	DESCRIPTION	DATE	APPROVED



PLAN VIEW



FRONT VIEW



SIDE VIEW

NOTES:

- UNIT FABRICATION TO BE DOUBLE WALL, CONSTRUCTION
- UNIT TO BE CONSTRUCTED OF 16 GA. 304 STAINLESS STEEL WITH #4 FINISH.
- DOORS TO BE CONSTRUCTED OF 20 GA. 304 STAINLESS STEEL WITH 1/4" THK. ACRYLIC WINDOWS, BULLET HINGE, QUARTER TURN HANDLES
- UNIT TO BE SUPPLIED 16 GA. 304 STAINLESS STEEL ANGLES TO ATTACH INTERIOR SIDEWALLS TO FLOOR
- UNIT TO BE SUPPLIED WITH 1 1/2" X 1 1/2" X 16 GA. 304 STAINLESS STEEL MOUNTING ANGLE (TO BE FIELD TRIMMED & INSTALLED)
- UNIT TO HAVE A MECHANICAL DOOR INTERLOCK SYSTEM
- ROUGH OPENING TO BE 1/4" LARGER THAN OUTSIDE DIMENSIONS OF UNIT

(1) UNIT REQUIRED, AS SHOWN

DRAWN FOR		<b>HALCO PRODUCTS CO.</b>			
		100 NO. GORDON STREET ELK GROVE, IL. 60007			
		TITLE CPT3648-48 SS/MI/SD			
DRAWN BY	TM	SIZE	JOB NO. -----	DWG NO.	1516421B0
APPROVED BY		SCALE	3/4" = 1' - 0"	DATE	9-29-10
				SHEET	